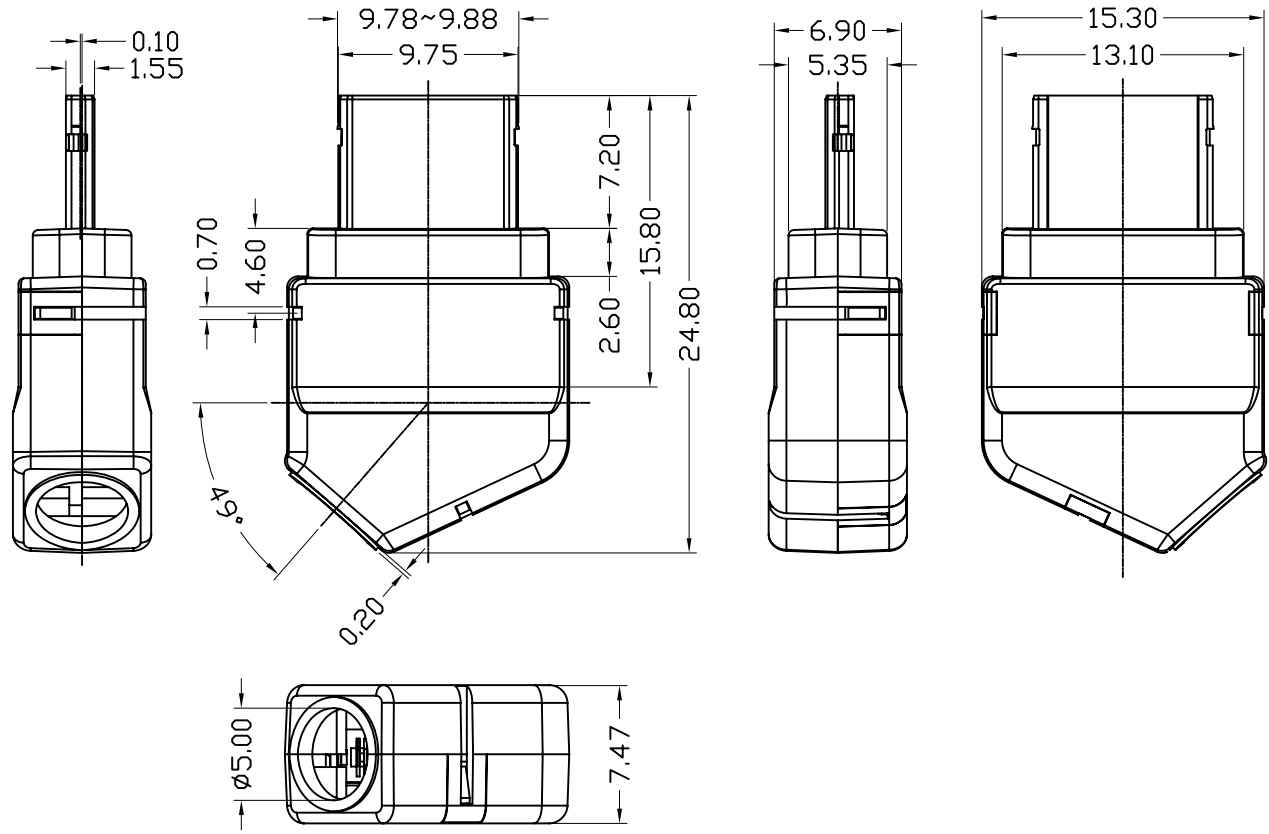


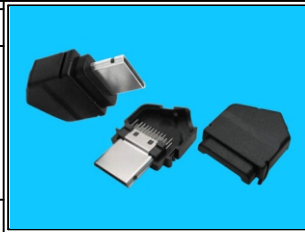
NOTES:

- ELECTRICAL SPECIFICATION:
 CURRENT RATING: 0.5A
 DIELECTRIC WITHSTANDING VOLTAGE: MIN 500VAC
 INSULATION RESISTANCE: MIN 100MΩ
 CONTACT RESISTANCE: MAX 80mΩ
- ENVIRONMENTAL:
 OPERATING TEMPERATURE: -15°C TO +85°C
 STORAGE TEMPERATURE: -30°C TO +85°C



RoHS Compliant

TOLERANCES ARE



ORDER INFORMATION

MSB-PA-20-LF
 SERIES | LEADFREE
 | 20 WAY
 | ASSEMBLY
 | MALE

MORETHANALL
 PCB CONNECTORS
 Cable ASSEMBLIES

煜倫股份有限公司

www.morethanall.com

DRAWING BY CY

CHECKED BY GENIUS

UNIT / mm SCALE 1:1

DATE

SIZE A4

X.±
 .X±
 .XX±
 .XXX±
 ANG±

PJECTION

DESCRIPTION: ASSEMBLY