

RoHS Compliant

TOLERANCES ARE

**MORETHANALL**  
PCB CONNECTORS  
Cable ASSEMBLIES

DRAWING BY CY

CHECKED BY GENIUS

UNIT / mm

SCALE 1:1

DATE

SIZE A4

X, ±  
.X ± 0.15  
.XX ± 0.05  
.XXX ± 0.02  
ANG ±

PJECTION

照片框

ORDER INFORMATION

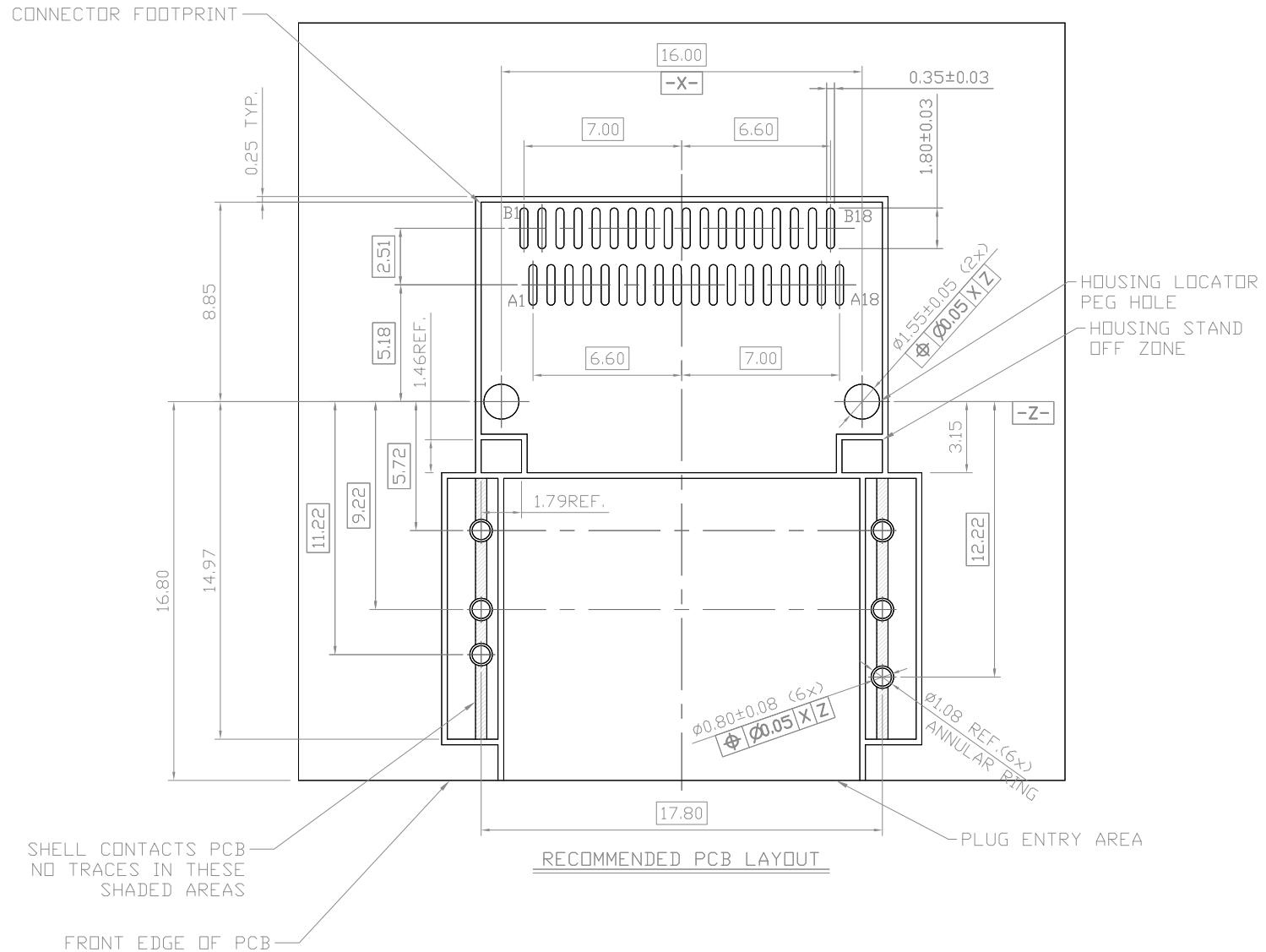
MSAS-SWP-036-LF

SERIES | | | LEADFREE  
| | | 36 WAY  
| | | POST  
| | | 90°SMT  
| | | FEMALE

煜倫股份有限公司

www.morethanall.com

DESCRIPTION: MINI-SAS CONNECTOR, 36POS, RIGHT ANGLE RECEPTACLE, SMT TYPE, 0.8MM,



RoHS Compliant

TOLERANCES ARE

**MORETHANALL**  
PCB CONNECTORS  
Cable ASSEMBLIES

DRAWING BY CY

X. ±

CHECKED BY GENIUS

.X ± 0.15

UNIT / mm

SCALE 1 : 1

.XX ± 0.05

DATE

.XXX ± 0.02

ANG ±

煜倫股份有限公司

www.morethanall.com

SIZE A4

PJECTION

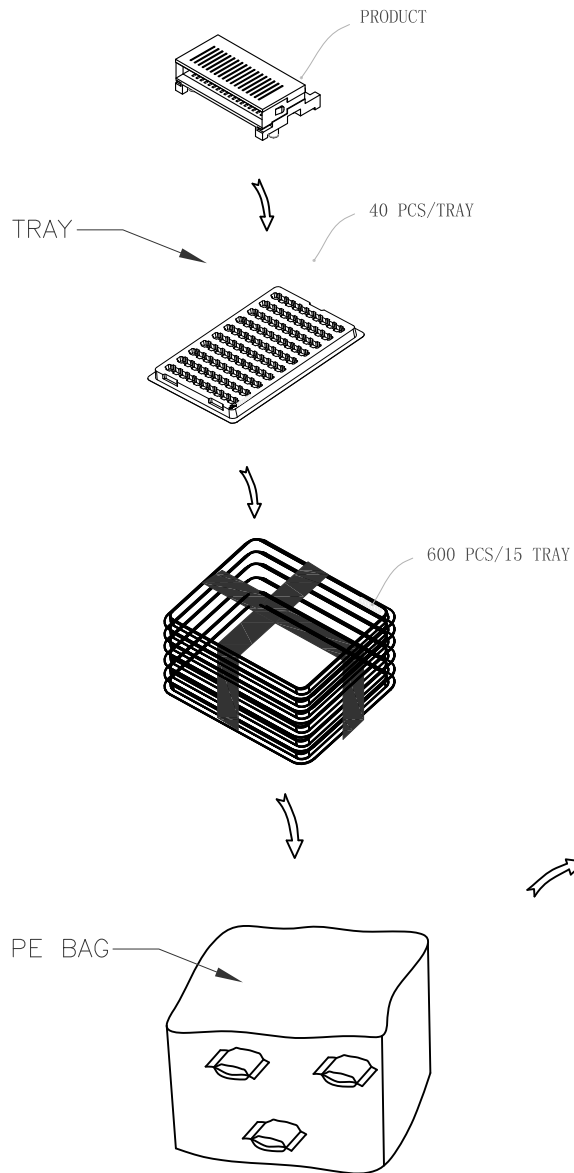
照片框

ORDER INFORMATION

MSAS-SWP-036-LF

SERIES | | | LEADFREE  
36 WAY  
POST  
90°SMT  
FEMALE

DESCRIPTION: MINI-SAS CONNECTOR, 36POS, RIGHT ANGLE RECEPTACLE, SMT TYPE, 0.8MM,



NAME	L*W*H (cm)	Q'TY
CARTON	26.0*17.0*22.0	1
TRAY	24.0*15.0*1.75	15
TOTAL		600

Label for Carton:

P/N :	
Description:	
Q'ty :	
Date :	
Note :	

**RoHS Compliant**

TOLERANCES ARE

**MORETHANALL**  
PCB CONNECTORS  
Cable ASSEMBLIES

煜倫股份有限公司

www.morethanall.com

DRAWING BY CY

CHECKED BY GENIUS

UNIT / mm SCALE 1:1

DATE

SIZE A4

X. ±  
.X ± 0.15  
.XX ± 0.05  
.XXX ± 0.02  
ANG ±

PPOJECTION

照片框

**ORDER INFORMATION**

**MSAS-SWP-036-LF**

SERIES | | | LEADFREE  
| | | 36 WAY  
| | | POST  
| | | 90°SMT  
| | | FEMALE

DESCRIPTION: MINI-SAS CONNECTOR, 36POS, RIGHT ANGLE RECEPTACLE, SMT TYPE, 0.8MM,