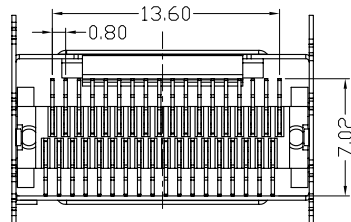
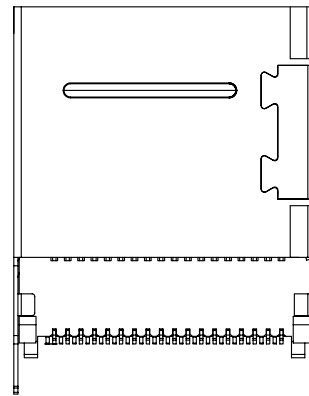
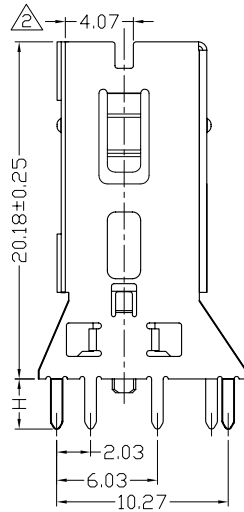
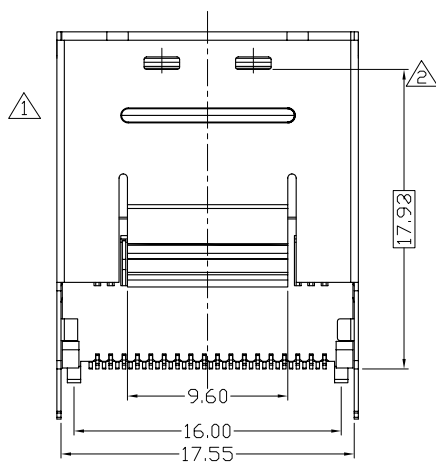


SPECIFICATIONS

CURRENT: 0.5A/CONTACT
 VOLTAGE: 30VAC/CONTACT
 LOW LEVEL CONTACT RESISTANCE: 80 mohm Maximum
 MATING FORCE: MAXIMUM OF 55.5N
 UNMATING FORCE: MAXIMUM OF 49.0N
 OPERATION TEMPERATURE: -20°C TO +85°C



③	CONTACT	36	COPPER ALLOY	GOLD PLATED
②	HOUSING	1	HIGH TEMPERATURE THERMOPLASTIC	UL 94V-0
①	SHELL	1	COPPER ALLOY	SOLDERABLE NICKEL PLATED
ITEM	PART NAME	Q'TY	MATERIALS	NOTES

RoHS Compliant

TOLERANCES ARE



煜倫股份有限公司

www.morethanall.com

DRAWING BY CY

CHECKED BY GENIUS

UNIT / mm

SCALE 1 : 1

DATE

SIZE A4

X, ±
 .X ±
 .XX ±
 .XXX ±
 ANG ±

PJECTION

照片框

ORDER INFORMATION

MSAS-SVPM-36-LF

SERIES
 LEADFREE
 36 WAY
 METAL FOOT
 POST
 180°SMT
 FEMALE

DESCRIPTION: MINI SAS INTERNAL 36PIN VERTICAL SMT TYPE