

Features:

- 2 ~ 20 circuits available
- UL 94V-0 nylon 66
- Low profile
- Molded pull tab
- Friction lock
- UL file No.: E114003
- CSA file No.: LR 86545

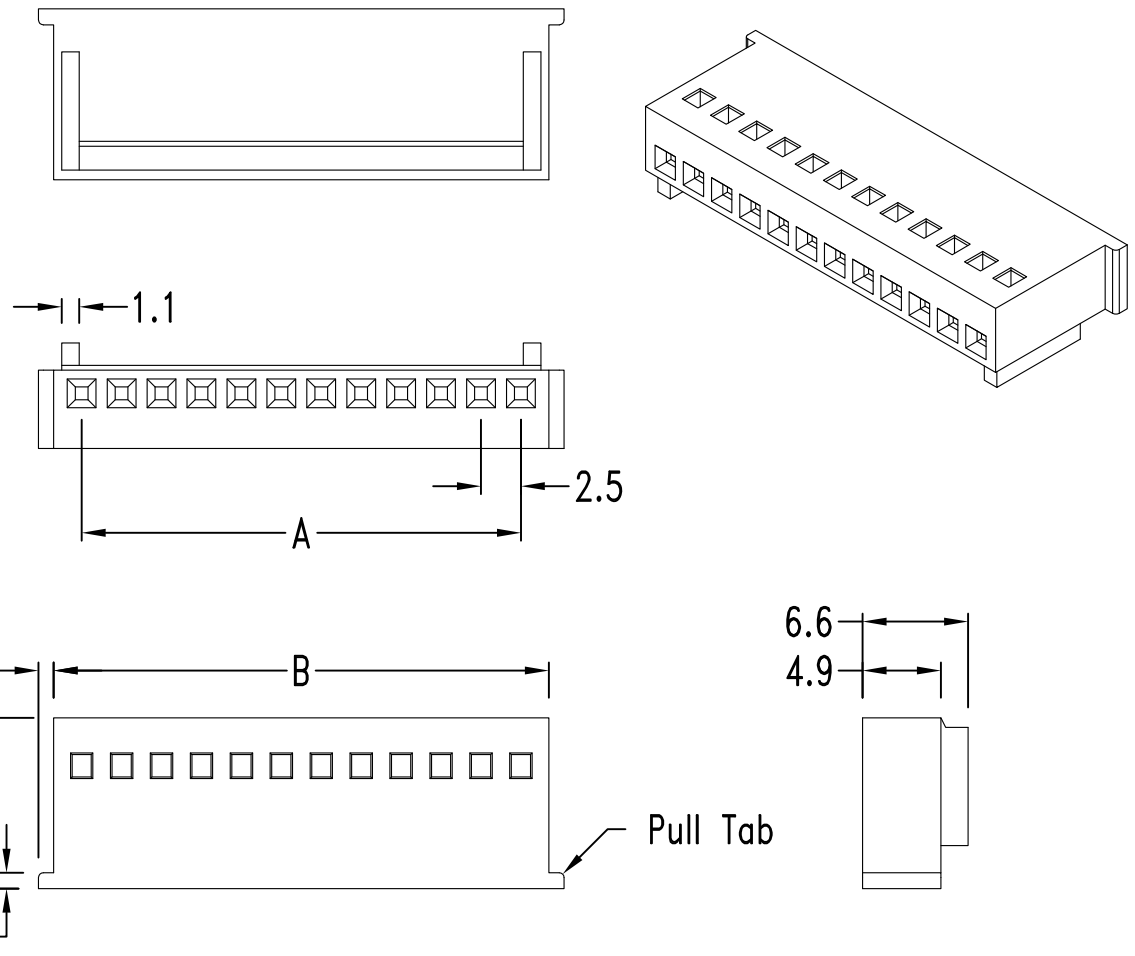
Specification:

- Current rating: 3 A
- Voltage rating: 250V AC, DC
- Contact resistance: 20mΩ Max.
- Insulation resistance: 1000MΩ Min.
- Dielectric withstanding voltage: 1500V AC/minute
- Ambient temperature range: -40°C ~ 105°C

Dimensional Information

Circuits	N
Dim. A	$2.5 \times (N - 1)$
Dim. B	$2.5 \times N + 1$

&& N = 2 ~ 20



RoHS Compliant

TOLERANCES ARE

MORETHANALL
PCB CONNECTORS
Cable ASSEMBLIES

煜倫股份有限公司

www.morethanall.com

DRAWING BY CY

CHECKED BY GENIUS

UNIT / mm

SCALE 1 : 1

DATE

SIZE A4

PJECTION

X. ±
.X ± 0.40
.XX ± 0.25
.XXX ± 0.08
ANG ±

照片框

ORDER INFORMATION

MS-H-xx-LF
SERIES | LEADFREE
02-20WAY
HOUSING

DESCRIPTION: .098" (2.5mm) Mini Spring-Box Crimp Terminal Housing