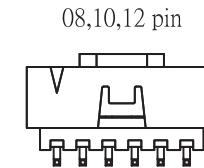
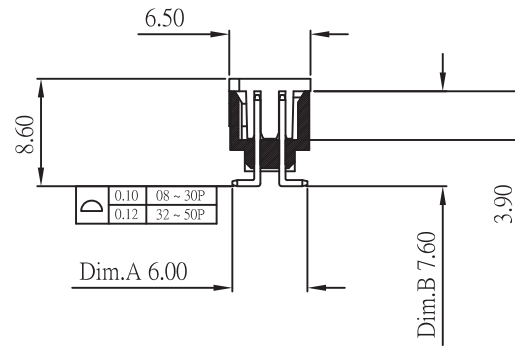
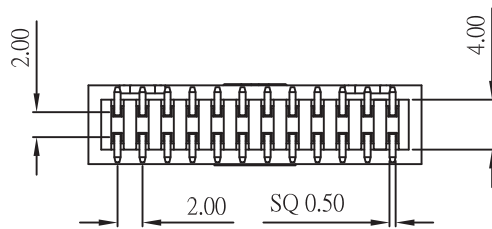
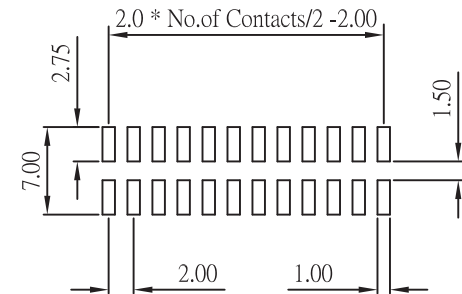


08~20 pin : 0.10mm
22~50 pin : 0.20mm



Recommended P.C. Board
SMD Layout



⊙: DIMENSIONS

08 pin	20 pin	34 pin
10 pin	22 pin	40 pin
12 pin	24 pin	44 pin
14 pin	26 pin	50 pin
16 pin	30 pin	

Current Rating and Voltage: 2 Amps 250V AC (r.m.s)
Insulator Resistance: 5000 Megohms min
Contact Resistance: 20 m ohms max
Dielectric Withstanding: 500 V AC
Operating Temperature: - 40° ~ +105° C
Max Processing Temp: 230° C for 60 seconds
Max Processing Temp: 260° C for 10 seconds
Contact Material: Copper Alloy
Standard: Brass
Insulator Material: High Temperature
Plastic,UL 94V-0
Finish: Standard: Gold Flash all over

RoHS Compliant

TOLERANCES ARE

MORETHANALL
PCB CONNECTORS
Cable ASSEMBLIES

DRAWING BY CY

CHECKED BY GENIUS

UNIT / mm

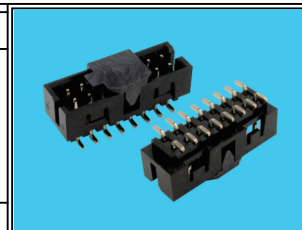
SCALE 1 : 1

DATE

SIZE A4

X, ±
.X ± 0.30
.XX ± 0.20
.XXX ± 0.10
ANG ±

PJECTION



ORDER INFORMATION

MPVK-VXC-2Xxx-LF

SERIES | LEADFREE
2X04 :08WAY
2X25 :50WAY
CAP
NON POST
180°SMT

煜倫股份有限公司

www.morethanall.com

DESCRIPTION: