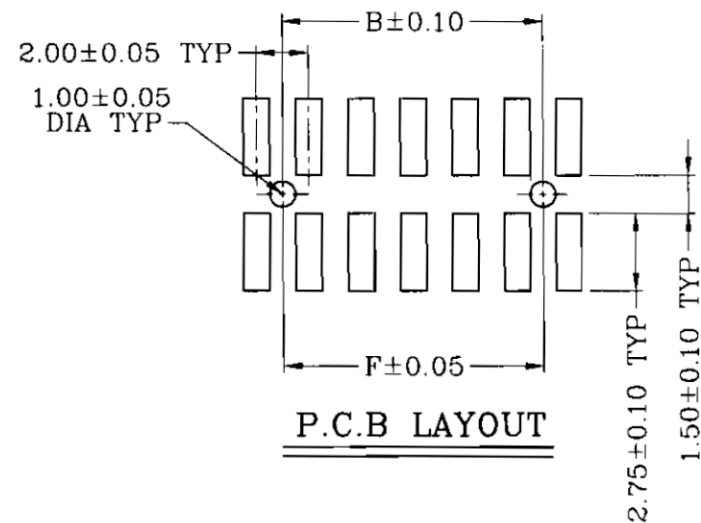
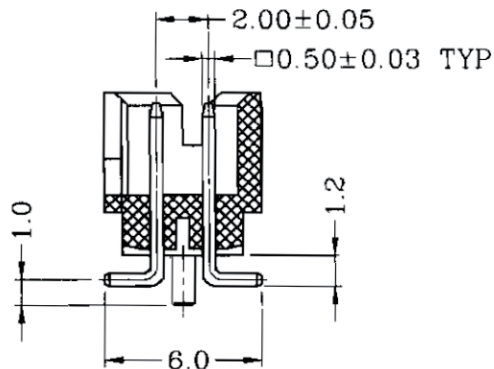


Material: *Insulator: Nylon 6T UL 94V-0(Black Color)

*Contact: Brass, Gold Plated

Note: BS--Boss Type



Dimensional & Ordering Information:

Crct.	Dimensions					Pcs/Reel	Crct.	Dimensions					Pcs/Reel
	A	B	C	D	F			A	B	C	D	F	
4	6.85	2.00	5.0	4.85	—	500	28	30.65	26.00	29.0	28.85	24.00	500
6	8.85	4.00	7.0	6.85	2.00		30	32.65	28.00	31.0	30.85	26.00	
8	10.65	6.00	9.0	8.85	4.00		32	34.65	30.00	33.0	32.85	28.00	
10	12.65	8.00	11.0	10.85	6.00		34	36.65	32.00	35.0	34.85	30.00	
12	14.85	10.00	13.0	12.85	8.00		36	38.65	34.00	37.0	36.85	32.00	
14	16.65	12.00	15.0	14.85	10.00		38	40.65	36.00	39.0	38.85	34.00	
16	18.65	14.00	17.0	16.85	12.00		40	42.65	38.00	41.0	40.85	36.00	
18	20.65	16.00	19.0	18.85	14.00		42	44.65	40.00	43.0	42.85	38.00	
20	22.65	18.00	21.0	20.85	16.00		44	46.65	42.00	45.0	44.85	40.00	
22	24.65	20.00	23.0	22.85	18.00		46	48.65	44.00	47.0	46.85	42.00	
24	26.65	22.00	25.0	24.85	20.00		48	50.65	46.00	49.0	48.85	44.00	
26	28.65	24.00	27.0	26.85	22.00		50	52.65	48.00	51.0	50.85	46.00	

MORETHANALL
PCB CONNECTORS
Cable ASSEMBLIES
煜倫股份有限公司
www.morethanall.com

RoHS Compliant

DRAWING BY CY

CHECKED BY GENIUS

UNIT / mm

SCALE 1 : 1

DATE

SIZE A4

TOLERANCES ARE

X, ±
.X ±
.XX ±
.XXX ±
ANG ±

PJECTION

照片框

ORDER INFORMATION

MPVK-VPCR-2Xxx-LF

SERIES

LEADFREE

2X02:04WAY

2X25:50WAY

REEL

180°SMT

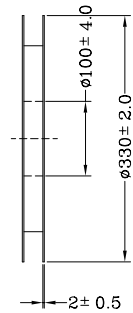
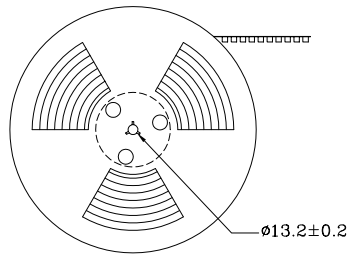
CAP

POST

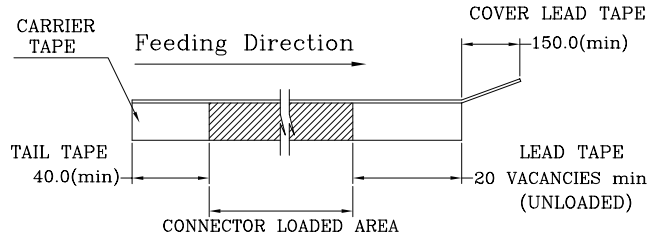
DESCRIPTION:

TAPING SPECIFICATIONS

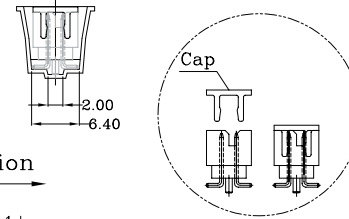
Feeding Direction →



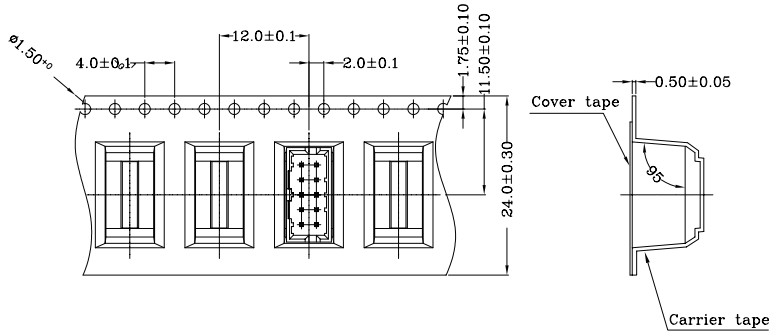
4 to 10 circuits



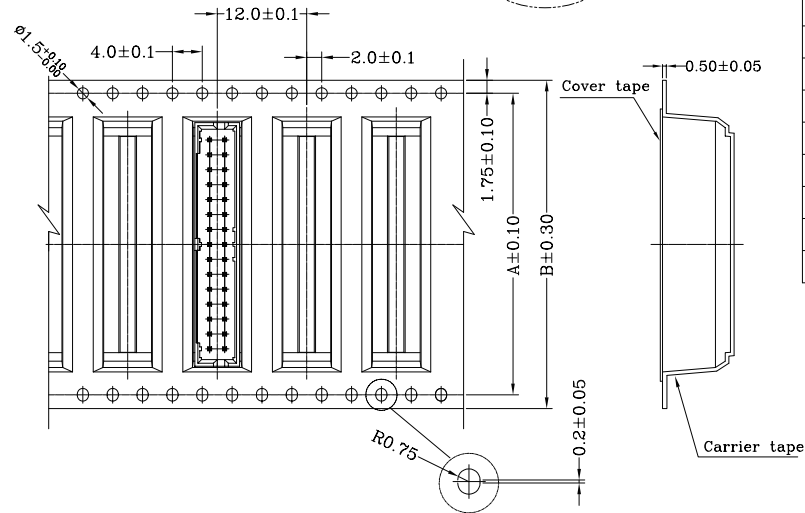
12 to 50 circuits



Feeding Direction →



Feeding Direction →



Circuits	Dimensions		Pcs/Reel
	A	B	
4	7.50	16.00	500
6	11.50	24.00	500
8	11.50	24.00	500
10	11.50	24.00	500
12	28.50	32.00	500
14	28.50	32.00	500
16	28.50	32.00	500
18	28.50	32.00	500
20	40.50	44.00	500
22	40.50	44.00	500
24	40.50	44.00	500
26	40.50	44.00	500
28	40.50	44.00	500
30	40.50	44.00	500
32	52.50	56.00	500
34	52.50	56.00	500
36	52.50	56.00	500
38	52.50	56.00	500
40	52.50	56.00	500
42	52.50	56.00	500
44	68.50	72.00	500
46	68.50	72.00	500
48	68.50	72.00	500
50	68.50	72.00	500

RoHS Compliant

TOLERANCES ARE

MORETHANALL
PCB CONNECTORS
Cable ASSEMBLIES

DRAWING BY CY
CHECKED BY GENIUS
UNIT / mm SCALE 1 : 1
DATE

X, ±
.X ±
.XX ±
.XXX ±
ANG ±

照片框

ORDER INFORMATION

MPVK-VPCR-2Xxx-LF
SERIES | REEL | LEADFREE
180°SMT | CAP POST | 2X02:04WAY | 2X25:50WAY

煜倫股份有限公司

www.morethanall.com

SIZE A4 PROJECTION

DESCRIPTION: