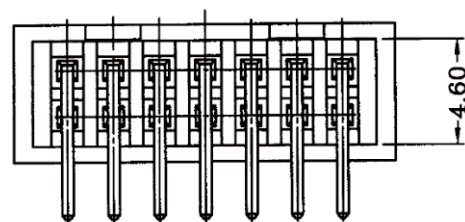
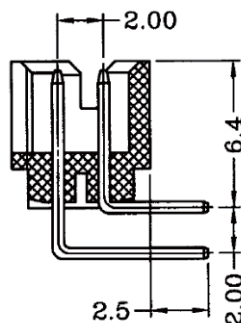
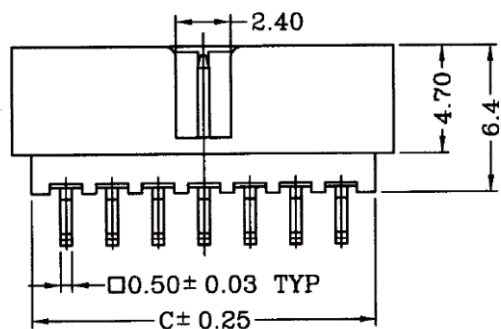


Material: \*Insulator: PBT UL 94V-0 with 30% GF  
 \*Contact: Brass, Gold Plating



**Dimensional & Ordering Information:**

Circuits	Part No	Dimensions				Pcs/Bag
		A	B	C	D	
14	MPVK-RA-2X07	18.65	12.00	15.0	14.85	1000
16	MPVK-RA-2X08	18.65	14.00	17.0	16.85	
18	MPVK-RA-2X09	20.65	16.00	19.0	18.85	
20	MPVK-RA-2X10	22.65	18.00	21.0	20.85	
22	MPVK-RA-2X11	24.65	20.00	23.0	22.85	
24	MPVK-RA-2X12	26.65	22.00	25.0	24.85	
26	MPVK-RA-2X13	28.65	24.00	27.0	26.85	
28	MPVK-RA-2X14	30.65	26.00	29.0	28.85	
30	MPVK-RA-2X15	32.65	28.00	31.0	30.85	
32	MPVK-RA-2X16	34.65	30.00	33.0	32.85	
34	MPVK-RA-2X17	36.65	32.00	35.0	34.85	500
36	MPVK-RA-2X18	38.65	34.00	37.0	36.85	
38	MPVK-RA-2X19	40.65	36.00	39.0	38.85	
40	MPVK-RA-2X20	42.65	38.00	41.0	40.85	
42	MPVK-RA-2X21	44.65	40.00	43.0	42.85	
44	MPVK-RA-2X22	46.65	42.00	45.0	44.85	
46	MPVK-RA-2X23	48.65	44.00	47.0	46.85	
48	MPVK-RA-2X24	50.65	46.00	49.0	48.85	
50	MPVK-RA-2X25	52.65	48.00	51.0	50.85	

**RoHS Compliant**

TOLERANCES ARE

**MORETHANALL**  
 PCB CONNECTORS  
 Cable ASSEMBLIES

DRAWING BY CY  
 CHECKED BY GENIUS  
 UNIT / mm SCALE 1:1  
 DATE

X, ±  
 .X ±  
 .XX ±  
 .XXX ±  
 ANG ±

照片框

ORDER INFORMATION

MPVK-RA-2Xxx-LF  
 SERIES | LEADFREE  
 2X07:14WAY  
 2X25:50WAY  
 KEY WAY  
 DIP 90°

煜倫股份有限公司

www.morethanall.com

SIZE A4 PROJECTION

DESCRIPTION: