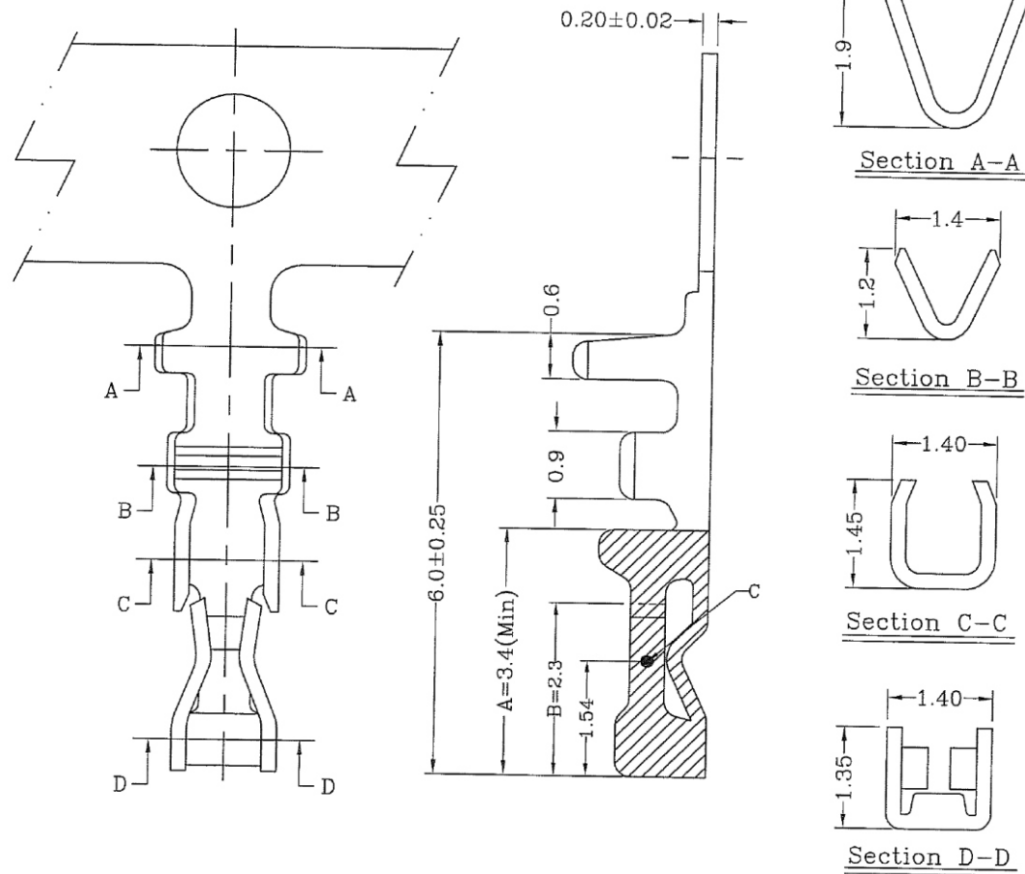


A--Gold Plated Area.  
 B--Tested Area For Coating Thickness.  
 C--Point of Measurement For Coating Thickness.  
 \* 蕊線剝皮長度最大1.5mm



Specifications & Ordering Information:

Part No	Wire Range	Material	Finish	Qty/reel	Insulation O.D.
MPV-TG-26	AWG #26~#30	Brass	Gold over Nickel	20,000 PCS	1.35mm(max)

RoHS Compliant

TOLERANCES ARE

**MORETHANALL**  
 PCB CONNECTORS  
 Cable ASSEMBLIES

煜倫股份有限公司

www.morethanall.com

DRAWING BY CY

CHECKED BY GENIUS

UNIT / mm SCALE 1 : 1

DATE

SIZE A4

X, ±  
 X, ±  
 .XX ±  
 .XXX ±  
 ANG ±

PJECTION

照片框

ORDER INFORMATION

MPV-TG-26-LF  
 SERIES | LEADFREE  
 | 26~30 AWG  
 | GOLD  
 | TERMINAL

DESCRIPTION: