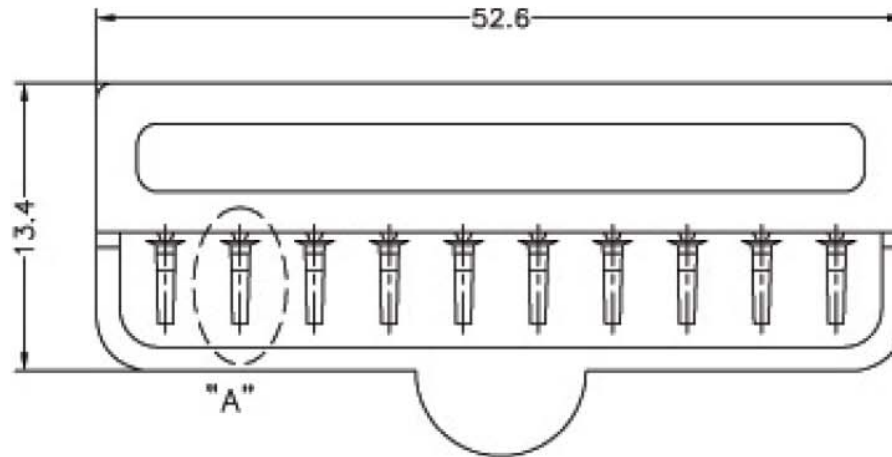
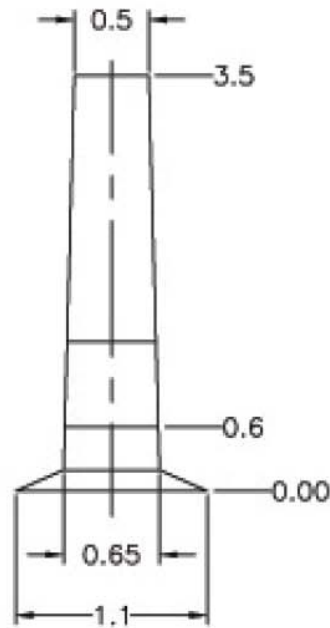


Material:P.B.T UL 94V-0



DETAIL: "A"(S:20)

RoHS Compliant

TOLERANCES ARE

MORETHANALL
PCB CONNECTORS
Cable ASSEMBLIES

煜倫股份有限公司

www.morethanall.com

DRAWING BY CY

CHECKED BY GENIUS

UNIT / mm SCALE 1 : 1

DATE

SIZE A4

X. ±
.X ±
.XX ±
.XXX ±
ANG ±

P PROJECTION

照片框

ORDER INFORMATION

MPV-KWH-1X10-LF
SERIES | LEADFREE
WHITE | 10 WAY
KEY

DESCRIPTION: