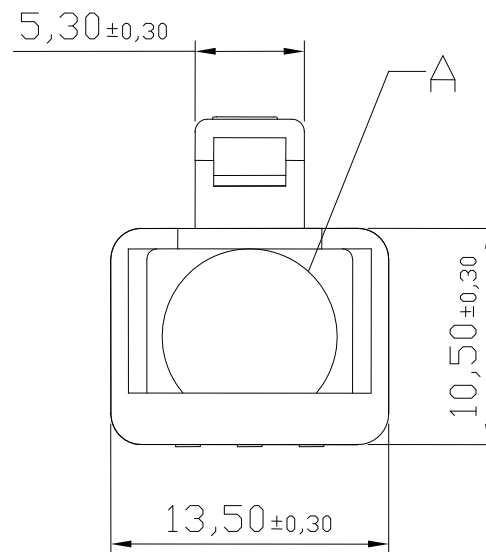
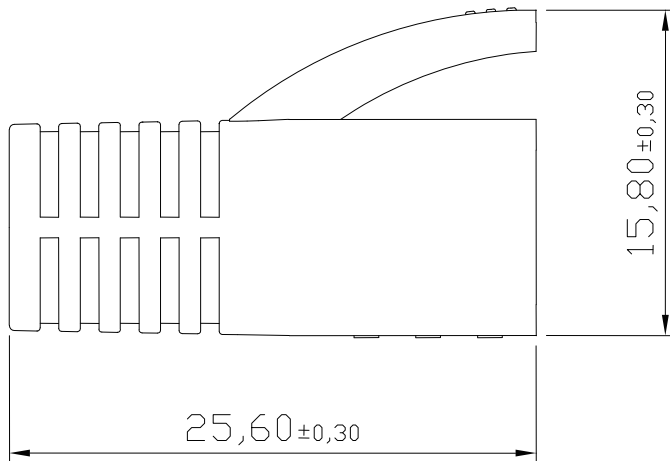


A Dim	m/m
5.5	±0.10
6.0	±0.10
6.5	±0.10
7.0	±0.10
7.5	±0.10
8.0	±0.10
8.5	±0.10



材質 Material :

1. 塑膠材質 Material : PVC

RoHS Compliant

TOLERANCES ARE

MORETHANALL
PCB CONNECTORS
Cable ASSEMBLIES

煜倫股份有限公司

www.morethanall.com

DRAWING BY CY

CHECKED BY GENIUS

UNIT/ mm SCALE 1:1

DATE

SIZE A4

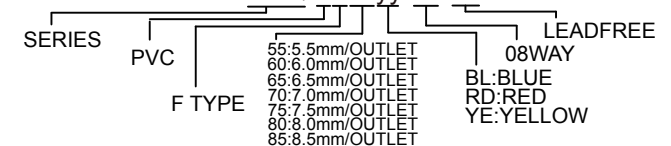
X. ±
.X ±
.XX ±
.XXX ±
ANG ±

P PROJECTION

照片框

ORDER INFORMATION

MPQ-VFxyxy-08-LF



DESCRIPTION: PVC COVER