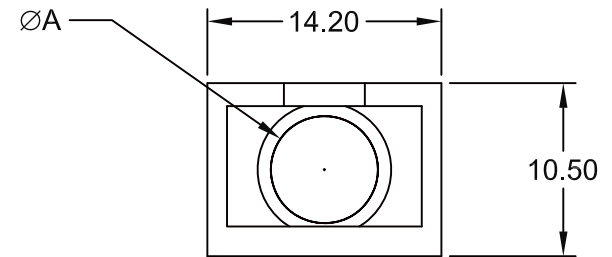
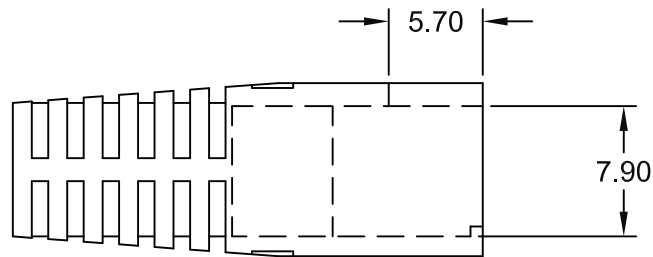
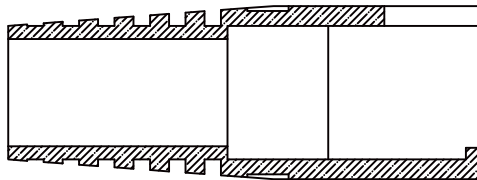
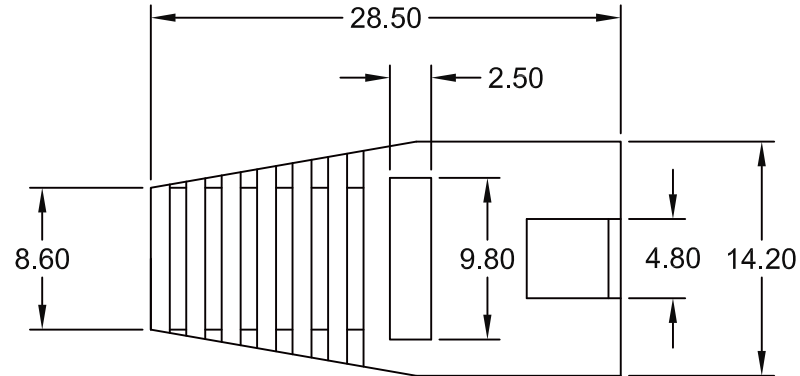
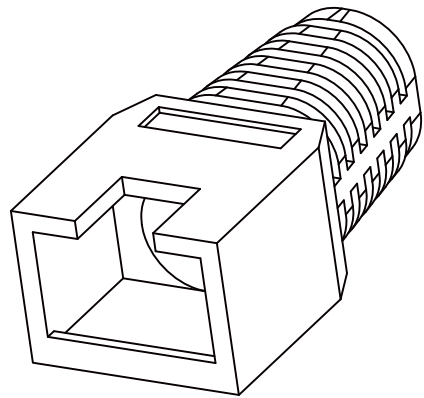


1. Material: 60P PVC.
2. Color Available: RD=Red, OR=Orange, YL=Yellow, GR=Green, BL=Blue, PP=Purple, BK=Black, GE=Gray, WH=White
3. Inner Diameter Available : 5.0mm=50, 5.5mm=55, 6.0mm=60, 6.5mm=65



RoHS Compliant

TOLERANCES ARE

MORETHANALL
PCB CONNECTORS
Cable ASSEMBLIES

DRAWING BY CY

CHECKED BY GENIUS

UNIT/ mm SCALE 1:1

DATE

SIZE A4

X. ±
.X ±
.XX ±
.XXX ±
ANG ±

P PROJECTION

照片框

ORDER INFORMATION

MPQ-VBxyyy-08-LF

SERIES	PVC	CABLE O.D	LEADFREE
B TYPE	55:5.5mm 70:7.0mm	08WAY	
GE:GRAY	BL:BLUE	OR:ORANGE	BK:BLACK
WH:WHITE	RD:RED	YL:YELLOW	GR:GREEN
			PP:PURPLE

DESCRIPTION: PVC COVER

煜倫股份有限公司

www.morethanall.com