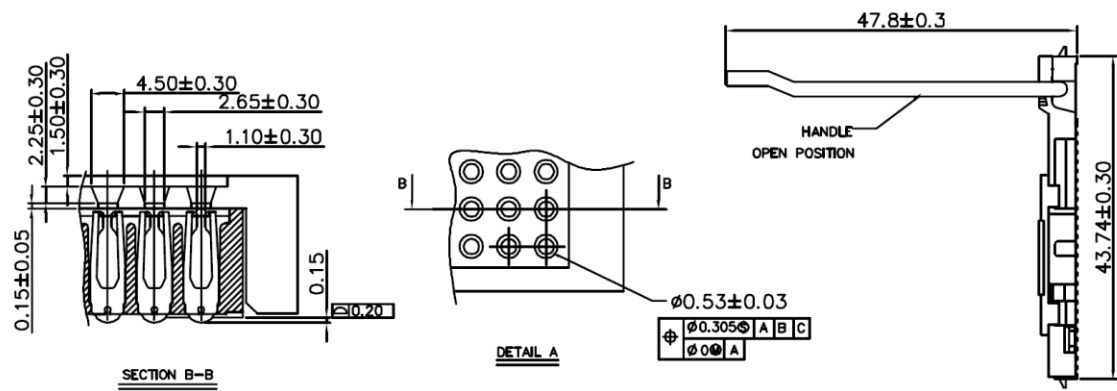
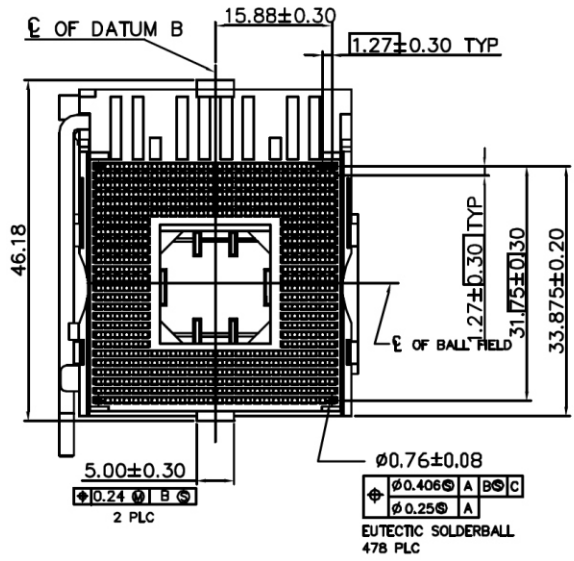
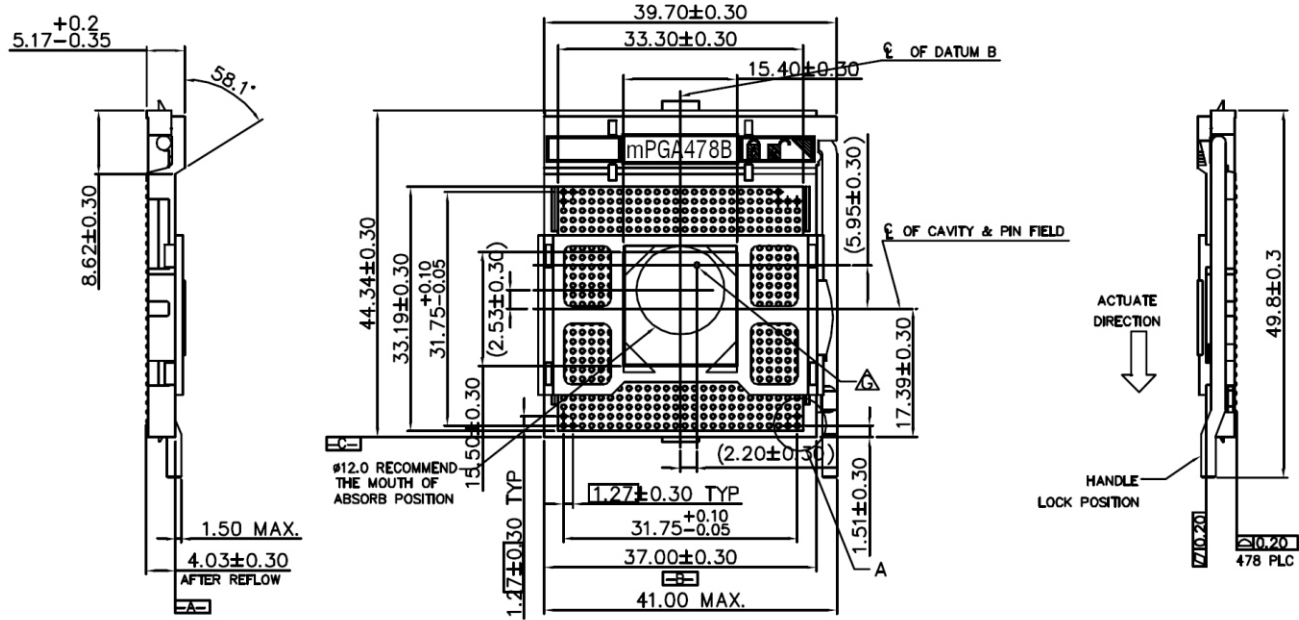


DCC Master Copy



NOTES:

- △ COVER AND HOUSING: THERMOPLASTIC ,UL94V-0; CONTACT: COPPER ALLOY ;HANDLE: STAINLESS STEEL.
- △ CONTACT: NICKEL PLATED ALL OVER AND ON THE TERMINAL CONTACT AREA GOLD PLATED
- △ SOCKET WILL ACCEPT P.G.A. PACKAGE WITH A PIN  $\phi 0.305 \pm 0.025$  AND A LENGTH OF  $2.03 \pm 0.08$

**MPGA-VL-478-LF**  
LEADFREE  
RoHS Compliant



PART NO. **MPGA-VL-478**

DWG NO. **MPGA-VL-478**

FILE NO.

CHECKED BY CY

DRAWING BY

TOLERANCES ARE  
.X ± 0.2  
.XX ±  
.XXX ±  
AWG

DESCRIPTION:

焯倫股份有限公司

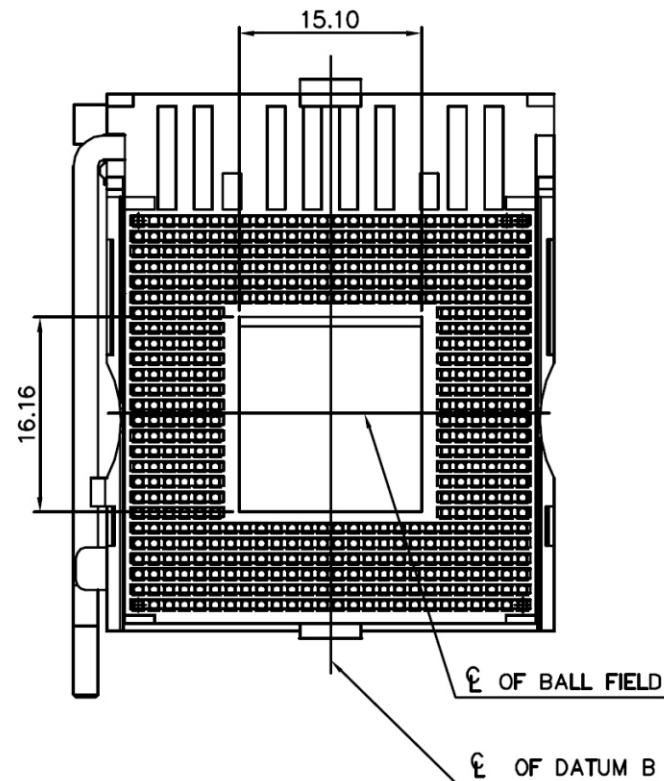
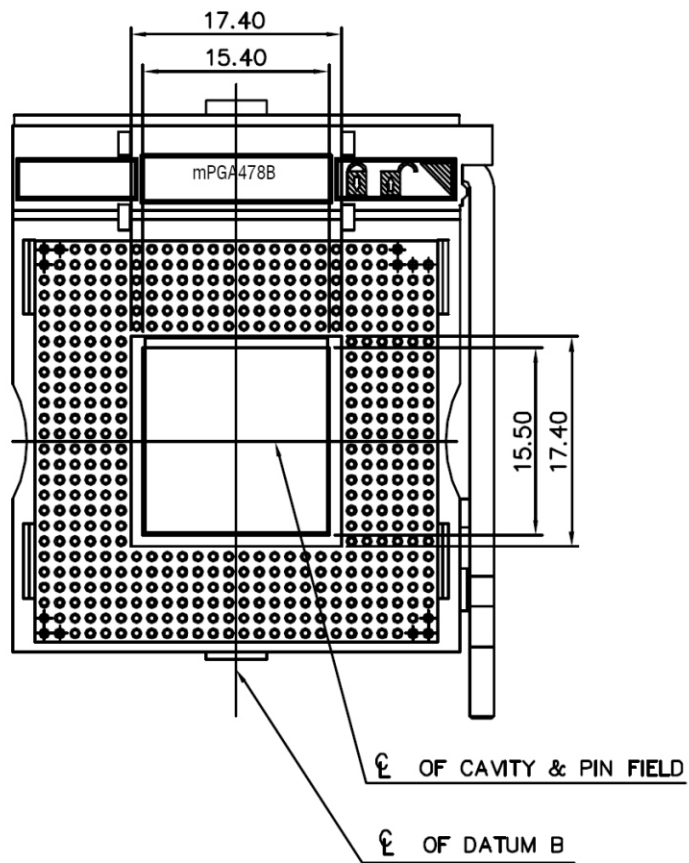
UNIT / mm

SCALE 1:1

PROJECTION

AREA	REVISIONS	HK	DATE
------	-----------	----	------

DCC Master Copy



**M** MORETHANALL  
CONNECTORS  
ASSEMBLIES

PART NO. **MPGA-VL-478**

DWG NO. **MPGA-VL-478**

CHECKED BY CY

TOLERANCES ARE

DESCRIP TION:

FILE NO.

DRAWING BY

.X ± 0.2

.XX ±

.XXX ±

AWG

AREA

REVISIONS

HK

DATE

煜倫股份有限公司

UNIT / mm

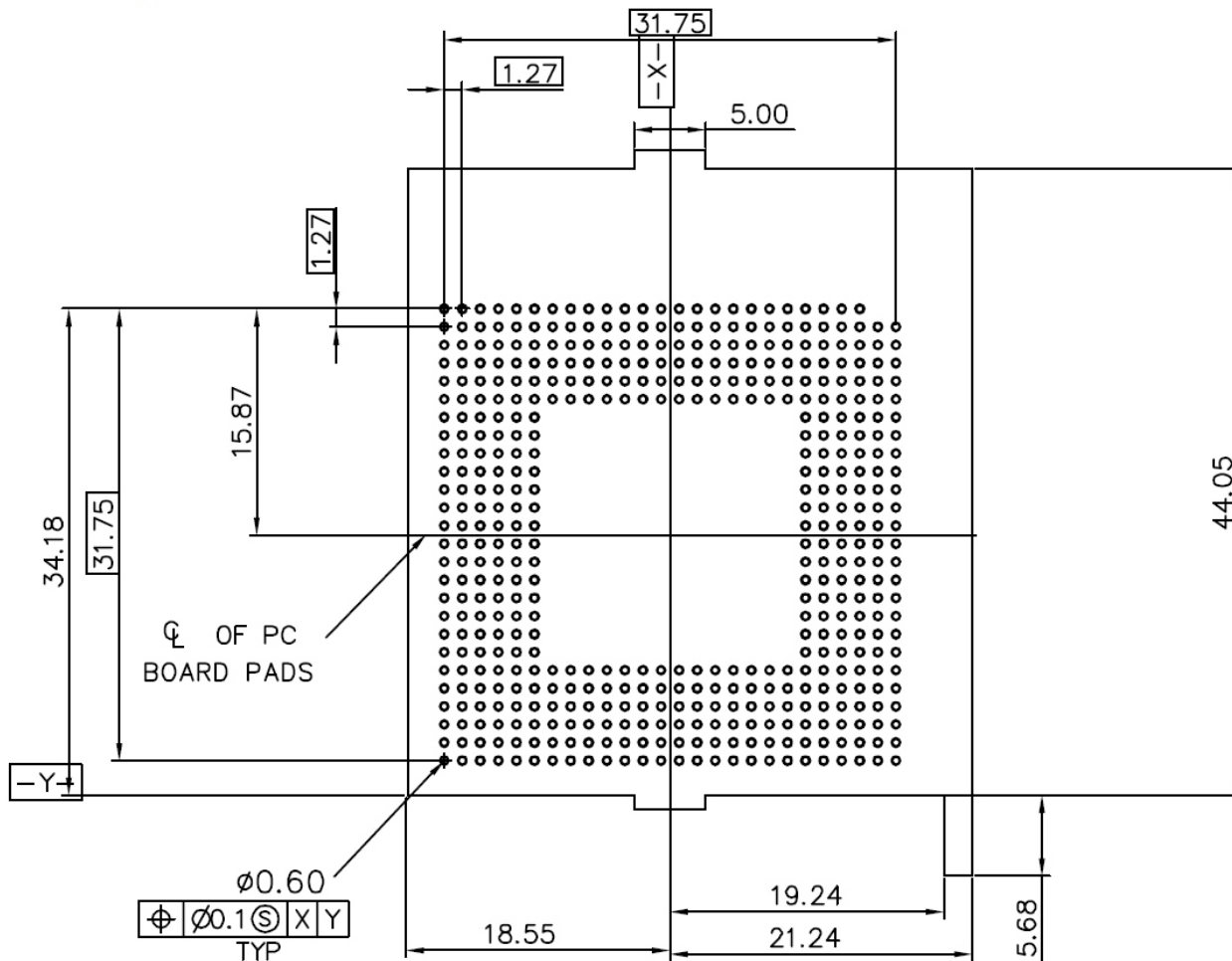
SCALE 1:1

PROJECTION





DCC Master Copy



PC BOARD LAYOUT



PART NO. **MPGA-VL-478**

DWG NO. **MPGA-VL-478**

CHECKED BY CY

TOLERANCES ARE

DESCRIPTION:

FILE NO.

DRAWING BY

.X ± 0.2  
.XX ±  
.XXX ±  
AWG

AREA

REVISIONS

HK

DATE

焜倫股份有限公司

UNIT / mm

SCALE 1:1

PROJECTION

