

| P/N           | A $\pm 0.25$ | B $\pm 0.25$ |
|---------------|--------------|--------------|
| MPCI-W40R-124 | 4.0          | 2.2          |
| MPCI-W52R-124 | 5.2          | 3.4          |
| MPCI-W56R-124 | 5.6          | 3.8          |
| MPCI-W80R-124 | 8.0          | 6.2          |
| MPCI-W92R-124 | 9.2          | 7.4          |

| ITEM | PART NAME | Q'TY | MATERIAL        | PLATING     |
|------|-----------|------|-----------------|-------------|
| 1    | BODY      | 1    | LCP             |             |
| 2    | CONTACT   | 124  | PHOSPHOR BRONZE | GOLD PLATED |
| 3    | LATCH     | 2    | STAINLESS       | TIN 80u"    |

RoHS Compliant

TOLERANCES ARE

**MORETHANALL**  
PCB CONNECTORS  
Cable ASSEMBLIES

DRAWING BY CY

CHECKED BY GENIUS

UNIT / mm

SCALE 1 : 1

DATE

SIZE A4

X,  $\pm$

.X,  $\pm$

.XX,  $\pm$

.XXX,  $\pm$

ANG,  $\pm$

PJECTION

照片框

ORDER INFORMATION

MPCI-WxxR-124-LF

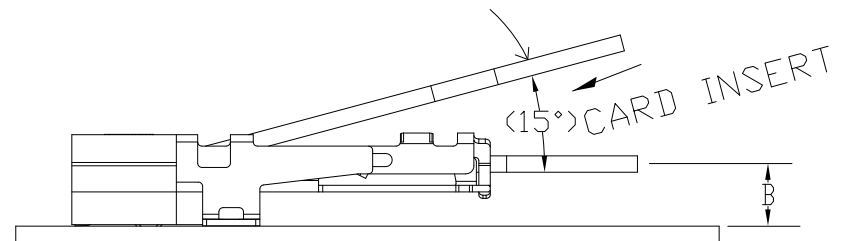
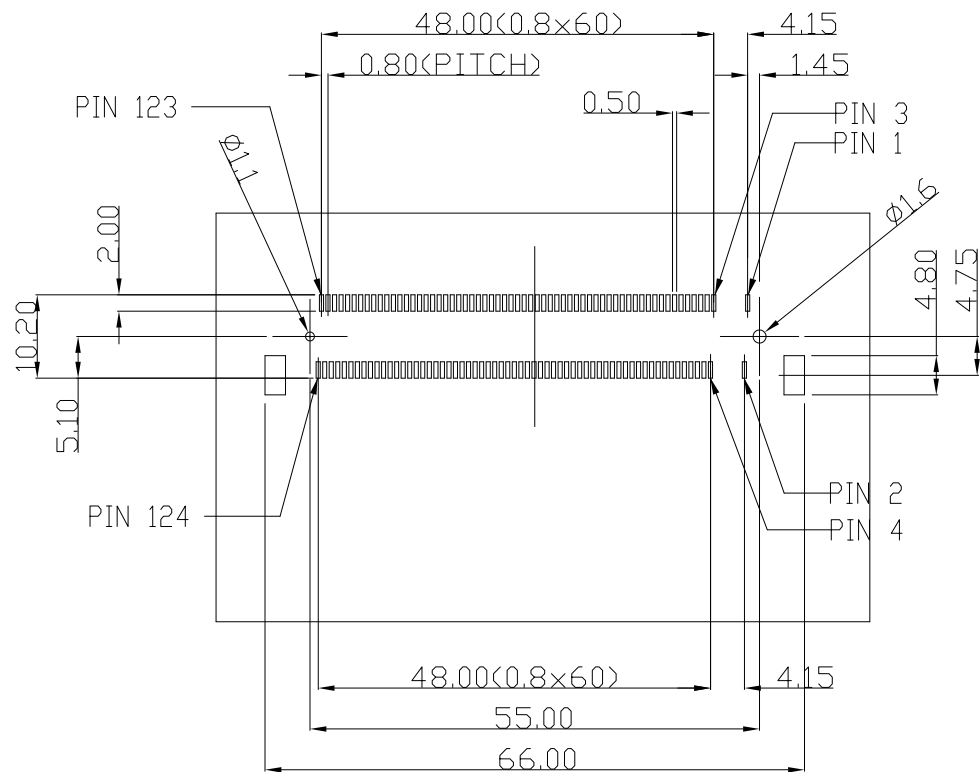
SERIES | T | 124WAY | LEADFREE

REEL  
40: 4.0mm HIGH  
52: 5.2mm HIGH  
90°SMT 56: 5.6mm HIGH  
80: 8.0mm HIGH  
92: 9.2mm HIGH

煜倫股份有限公司

www.morethanall.com

DESCRIPTION:



RECOMMEND PC BOARD LAYOUT  
GENERAL TOLERANCE:  $\pm 0.05\text{mm}$

RoHS Compliant

TOLERANCES ARE

**MORETHANALL**  
PCB CONNECTORS  
Cable ASSEMBLIES

DRAWING BY CY

X.  $\pm$

CHECKED BY GENIUS

.X  $\pm$

UNIT / mm

SCALE 1:1

.XX  $\pm$

DATE

.XXX  $\pm$

ANG  $\pm$

照片框

SIZE A4

P PROJECTION

ORDER INFORMATION

MPCI-WxxR-124-LF

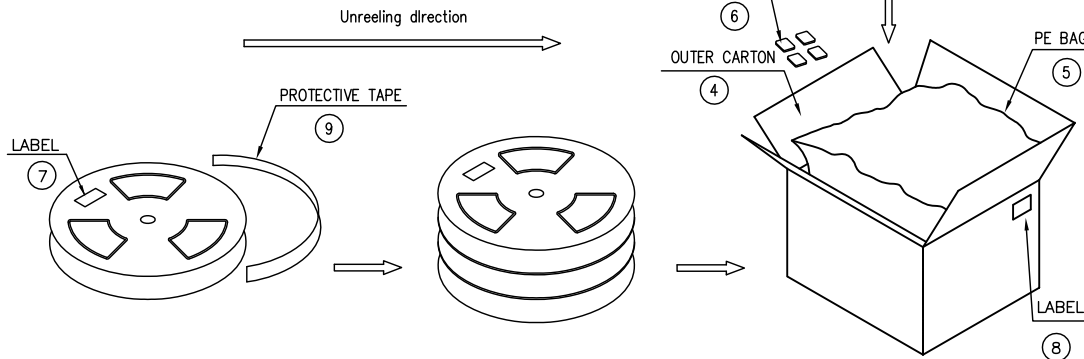
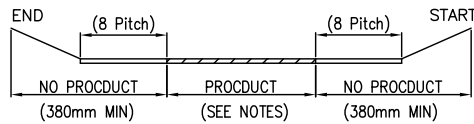
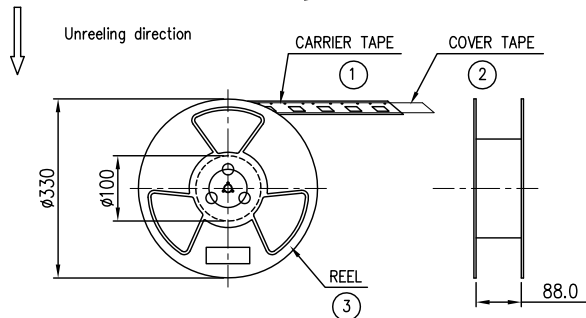
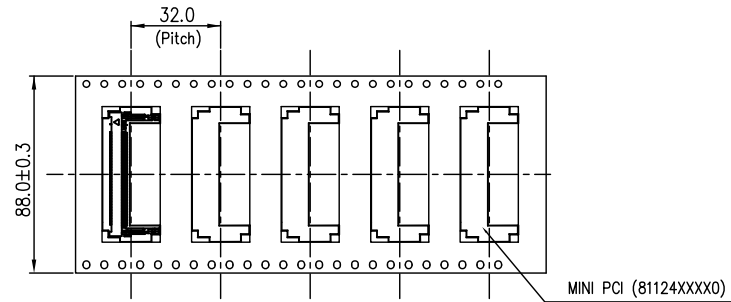
SERIES | REEL | 124WAY | LEADFREE

90°SMT | 40:4.0mm HIGH  
52:5.2mm HIGH  
56:5.6mm HIGH  
80:8.0mm HIGH  
92:9.2mm HIGH

煜倫股份有限公司

www.morethanall.com

DESCRIPTION:



NOTES:

1. PACKING STYLE A) (4.0H)  
300 PCS/REEL  
900 PCS/OUTER CARTON
- B) (5.2H)  
250 PCS/REEL  
750 PCS/OUTER CARTON
- C) (5.6H)  
230 PCS/REEL  
690 PCS/OUTER CARTON
- D) (8.0H)  
180 PCS/REEL  
540 PCS/OUTER CARTON
- E) (9.2H)  
150 PCS/REEL  
450 PCS/OUTER CARTON
- F) (9.6H)  
150 PCS/REEL  
450 PCS/OUTER CARTON

2. MATERIAL CARRIER TAPE: PS BLACK  
COVER TAPE: PET FILM  
REEL: PLASTIC
3. PEEL STRENGTH OF COVER TAPE: 20-80g (PEEL SPEED 300mm/MINUTE).

RoHS Compliant

TOLERANCES ARE

**MORETHANALL**  
PCB CONNECTORS  
Cable ASSEMBLIES

煜倫股份有限公司

www.morethanall.com

DRAWING BY CY

CHECKED BY GENIUS

UNIT / mm SCALE 1 : 1

DATE

SIZE A4

X. ±

.X ±

.XX ±

.XXX ±

ANG ±

PJECTION

照片框

ORDER INFORMATION

MPCI-WxxR-124-LF

SERIES | REEL | 124WAY | LEADFREE

90°SMT  
40: 4.0mm HIGH  
52: 5.2mm HIGH  
56: 5.6mm HIGH  
80: 8.0mm HIGH  
92: 9.2mm HIGH

DESCRIPTION: