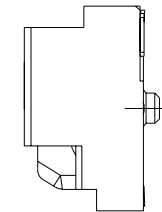
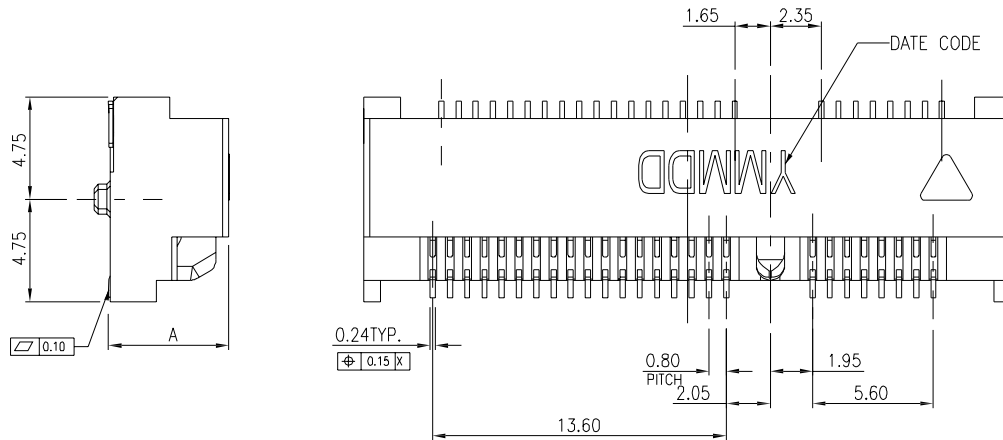
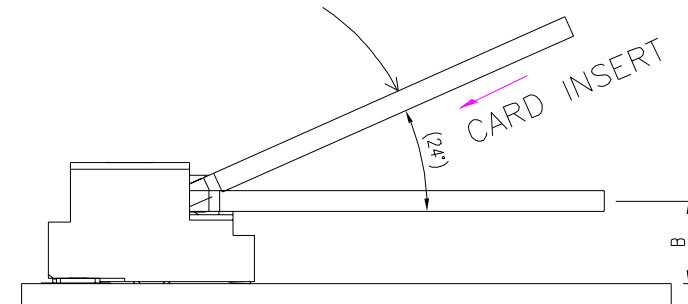
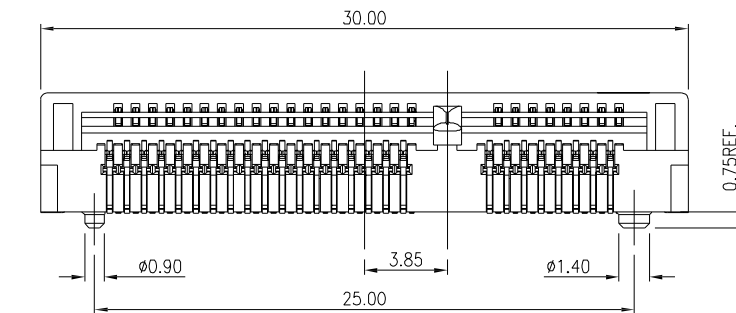


PRODUCT NO.	ITEM	PART NAME	Q'TY	MATERIAL	PLATING
MPCI-Wxx-052	1	BODY	1	LCP	
	2	CONTACT	52	PHOSPHOR BRONZE	GOLD PLATED
	3	HOLD DOWN	2	BRASS	TIN 100u"



P/N	A ±0.25	B ±0.25
MPCI-W40-052	4.0	2.2
MPCI-W52-052	5.2	3.4
MPCI-W56-052	5.6	3.8
MPCI-W80-052	8.0	6.2
MPCI-W92-052	9.2	7.4
MPCI-W96-052	9.6	7.8



RoHS Compliant

TOLERANCES ARE

MORETHANALL
PCB CONNECTORS
Cable ASSEMBLIES

DRAWING BY CY

X, ±

CHECKED BY GENIUS

.X ± 0.20

UNIT / mm

SCALE 1 : 1

.XX ±

DATE

.XXX ±

ANG ± 3°

SIZE A4

PJECTION

照片框

ORDER INFORMATION

MPCI-Wxx-052-LF

SERIES LEADFREE

52 WAY

40:HIGH 4.0mm

52:HIGH 5.2mm

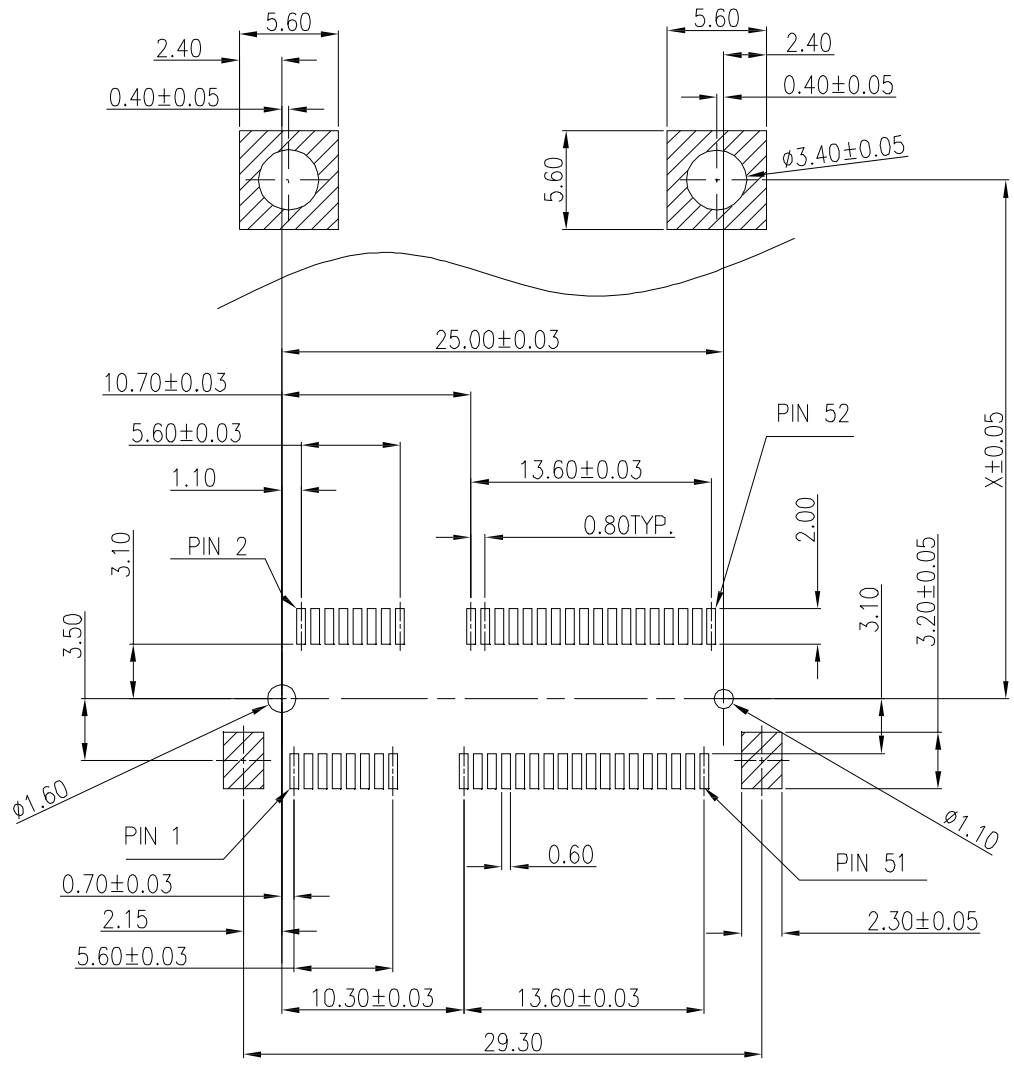
96:HIGH 9.6mm

90°SMT

DESCRIPTION: Mini PCI Express Pitch 0.8mm

煜倫股份有限公司

www.morethanall.com



Recommended P. C. Board Layout.

Note:
Standard Card: X=48.05mm
(Card Length 50.95mm)

Short Card: X=23.90mm
(Card Length 26.65mm)

RoHS Compliant

TOLERANCES ARE

MORETHANALL
PCB CONNECTORS
Cable ASSEMBLIES

DRAWING BY CY

CHECKED BY GENIUS

UNIT / mm

SCALE 1 : 1

DATE

SIZE A4

X, ±
.X ± 0.20
.XX ±
.XXX ±
ANG ± 3°

PJECTION

照片框

ORDER INFORMATION

MPCI-Wxx-052-LF

SERIES | LEADFREE

52 WAY

40:HIGH 4.0mm

52:HIGH 5.2mm

96:HIGH 9.6mm

90°SMT

DESCRIPTION: Mini PCI Express Pitch 0.8mm

煜倫股份有限公司

www.morethanall.com