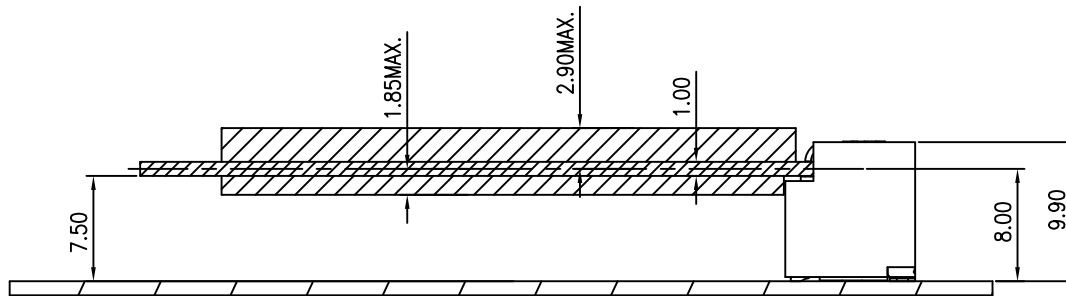
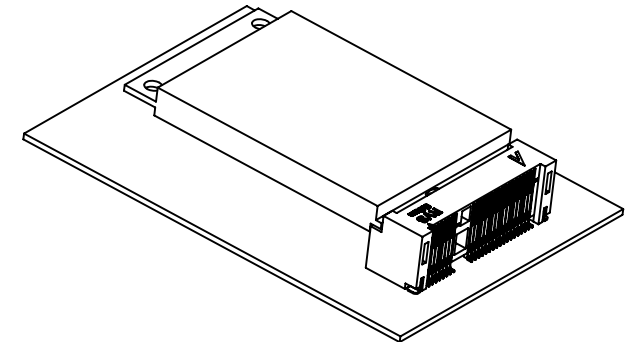


- NOTES:
- MATERIAL:
 - HOUSING: THERMOPLASTIC, HIGH TEMP., UL94V-0; LCP E6807L, BLACK
 - CONTACT: PHOSPHOR BRONZE C5191R-EH
 - FITTING NAIL: BRASS C2680
 - FINISH:
 - CONTACT: PLS. SEE ORDER INFORMATION (R.o.H.S COMPARED) UNDERPLATED: NICKEL OVERALL
 - FITTING NAIL: 100u" MIN. MATT TIN PLATING ON SOLDER TAILS. 50u" MIN. NICKEL UNDERPLATING OVERALL.
 - REFLOW SOLDER CAPABLE TO 260° C
 - THE MODULE CARD REFERENCE MINIPCI EXPRESS CARD ELECTROMECHANICAL SPECIFICATION
 - DATUM D IS THE TOP SURFACE OF PCB



TYPE	DIM C
Half-Mini Card	23.90
Full-Mini Card	48.05

RoHS Compliant

TOLERANCES ARE

MORETHANALL
PCB CONNECTORS
Cable ASSEMBLIES

DRAWING BY CY

X. ± 0.50

CHECKED BY GENIUS

.X ± 0.25

UNIT / mm

SCALE 1 : 1

.XX ± 0.15

.XXX ± 0.10

ANG ± 2°

DATE

SIZE A4

PPOJECTION

照片框

ORDER INFORMATION

MPCI-W99-052-LF

SERIES

LEADFREE

52 WAY

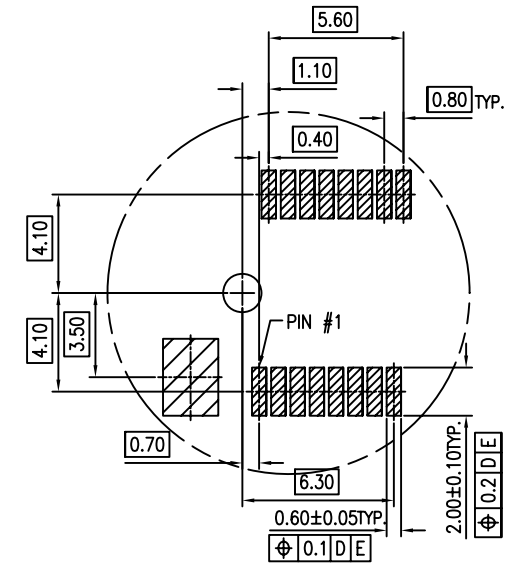
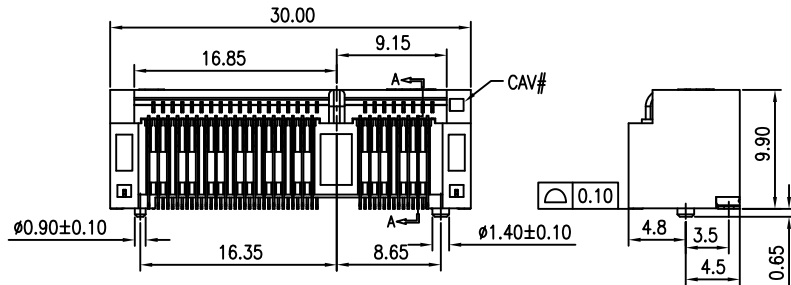
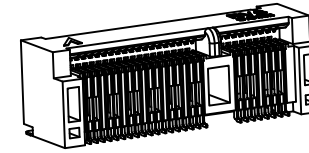
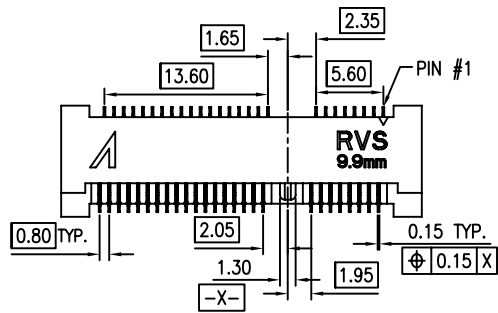
HIGH 9.9mm

90°SMT

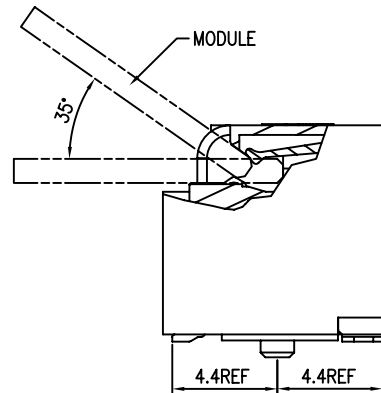
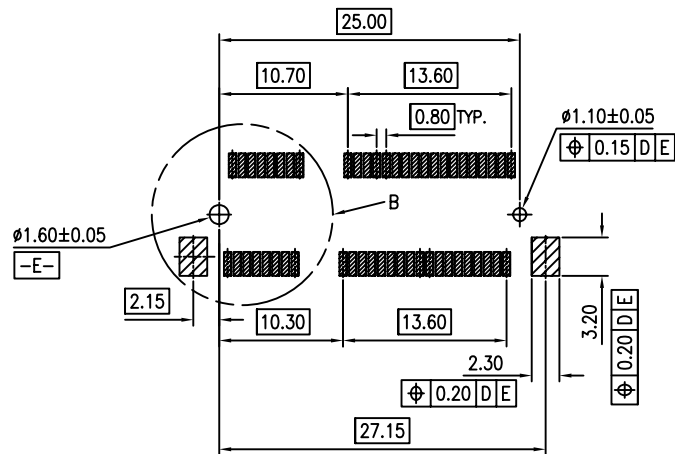
煜倫股份有限公司

www.morethanall.com

DESCRIPTION: 0.8mm PITCH H=9.90mm MINI PCI EXP. RVS TYPE



DETAIL B
SCALE 4:1



SECTION A-A
SCALE 4:1

CONNECTOR LAYOUT

RoHS Compliant

TOLERANCES ARE

MORETHANALL
PCB CONNECTORS
Cable ASSEMBLIES

DRAWING BY CY

X. ± 0.50

CHECKED BY GENIUS

.X ± 0.25

UNIT / mm

SCALE 1:1

.XX ± 0.15

DATE

.XXX ± 0.10

ANG ± 2°

照片框

ORDER INFORMATION

MPCI-W99-052-LF

SERIES | LEADFREE
52 WAY
HIGH 9.9mm
90°SMT

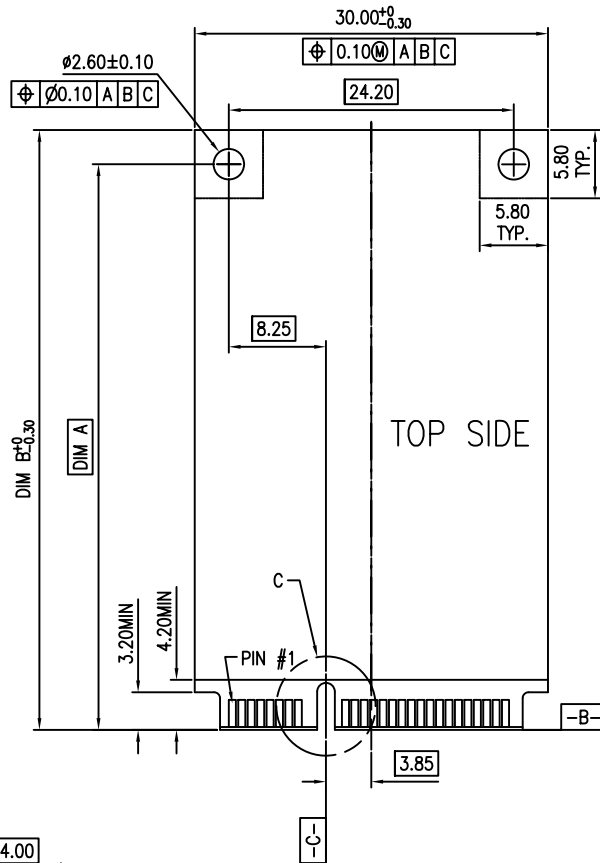
煜倫股份有限公司

www.morethanall.com

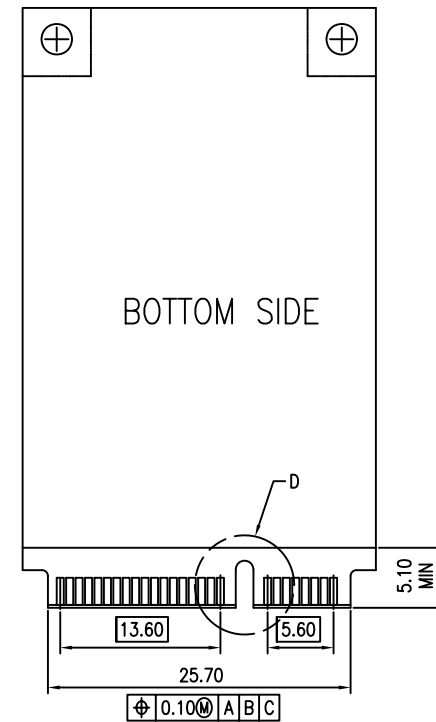
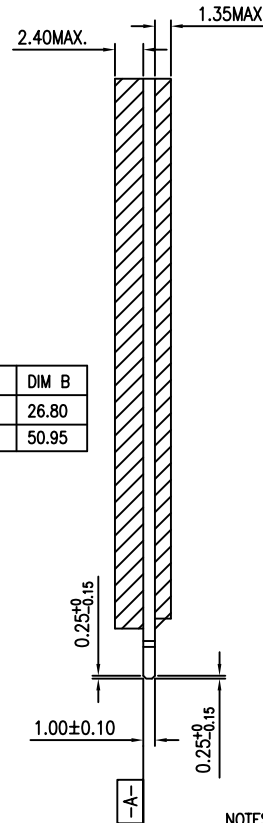
SIZE A4

PJECTION

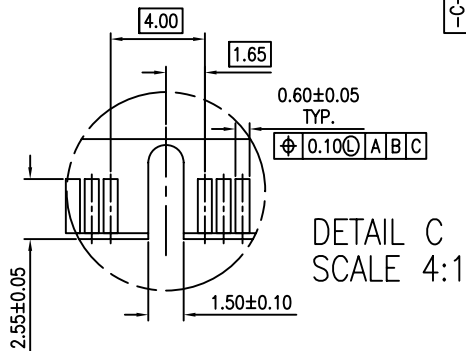
DESCRIPTION: 0.8mm PITCH H=9.90mm MINI PCI EXP. RVS TYPE



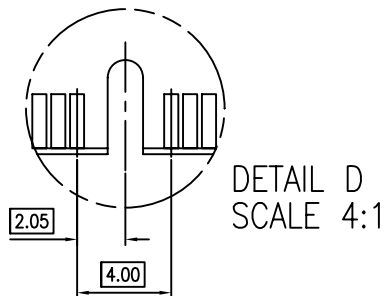
TYPE	DIM A	DIM B
Half-Mini Card	23.90	26.80
Full-Mini Card	48.05	50.95



NOTES:
1. PIN NUMBERING REFERENCE:
ODD PINS: TOP SIDE
EVEN PINS: BOTTOM SIDE



DETAIL C
SCALE 4:1



DETAIL D
SCALE 4:1

RoHS Compliant

TOLERANCES ARE

MORETHANALL
PCB CONNECTORS
Cable ASSEMBLIES

煜倫股份有限公司

www.morethanall.com

DRAWING BY CY

CHECKED BY GENIUS

UNIT / mm SCALE 1:1

DATE

SIZE A4

X ± 0.50
.X ± 0.25
.XX ± 0.15
.XXX ± 0.10
ANG ± 2°

PJECTION

照片框

ORDER INFORMATION

MPCI-W99-052-LF

SERIES | LEADFREE
52 WAY
HIGH 9.9mm
90°SMT

DESCRIPTION: 0.8mm PITCH H=9.90mm MINI PCI EXP. RVS TYPE