

**MATERIALS**

HOUSING: HI-TEMP. PLASTIC (UL 94V-0)  
 LATCH: SUS, TIN PLATING  
 TERMINAL: COPPER ALLOY, GOLD PLATED ON CONTACT AREA  
 TIN PLATING ON SOLDER TAIL

**SPECIFICATION**

CURRENT RATING: 0.5 AMP MAX  
 DIELECTRIC WITHSTANDING: 250V AC FOR ONE MINUTE  
 CONTACT RESISTANCE: 30m OHMS MAX  
 INSULATION RESISTANCE: 500M OHMS MIN AT DC 500V  
 OPERATION TEMPERATURE: -55°C~+85°C

**RoHS Compliant**

TOLERANCES ARE

**MORETHANALL**  
 PCB CONNECTORS  
 Cable ASSEMBLIES

煜倫股份有限公司

www.morethanall.com

DRAWING BY CY

CHECKED BY GENIUS

UNIT / mm

SCALE 1 : 1

DATE

SIZE A4

X, ±  
 .X ± 0.30  
 .XX ± 0.20  
 .XXX ± 0.10  
 ANG ± 5°

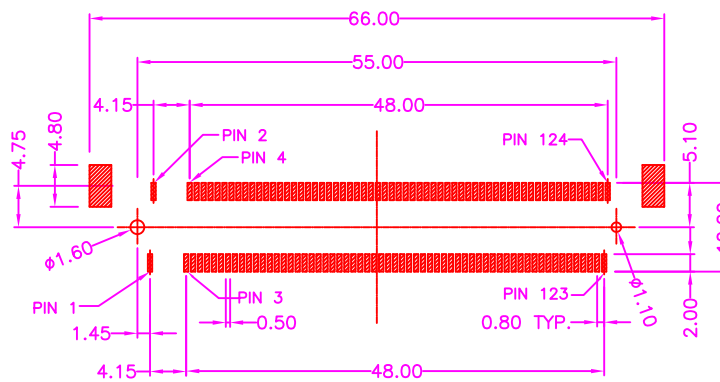
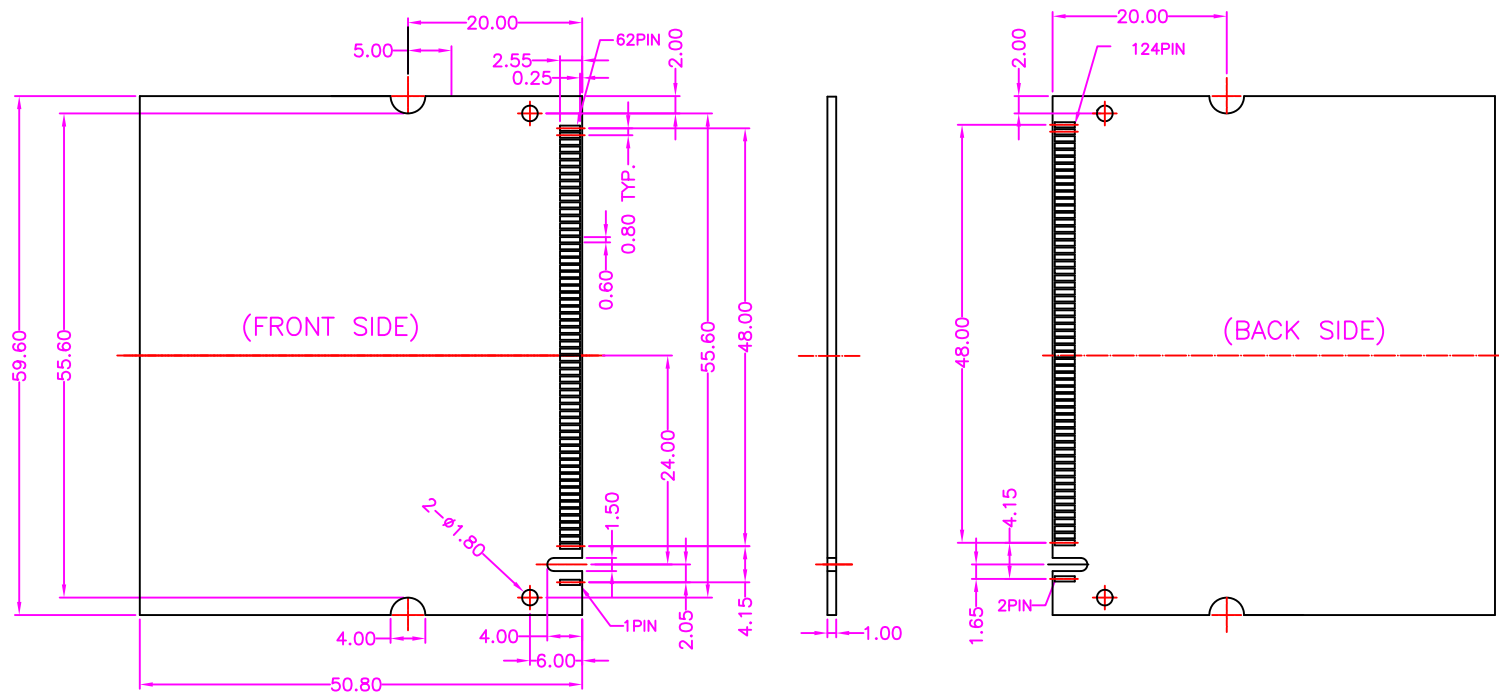
PJECTION

照片框

**ORDER INFORMATION**

MPCI-W92-124-LF  
 SERIES | LEADFREE  
 124 WAY  
 HIGH 9.2mm  
 90°SMT

DESCRIPTION: MINI PCI SOCKET 124 PIN, 0.80mm PITCH, PCB MOUNT, SMT, FEMALE, WITH LATCH & POST (H=9.20mm)



P.C.B LAYOUT  
TOP VIEW ±0.05



RoHS Compliant

TOLERANCES ARE

**MORETHANALL**  
PCB CONNECTORS  
Cable ASSEMBLIES

DRAWING BY CY

X, ±

CHECKED BY GENIUS

.X ± 0.30

UNIT / mm

SCALE 1 : 1

.XX ± 0.20

DATE

.XXX ± 0.10

ANG ± 5°

SIZE A4

PJECTION

ORDER INFORMATION

MPCI-W92-124-LF  
SERIES | LEADFREE  
124 WAY  
HIGH 9.2mm  
90°SMT

煜倫股份有限公司

www.morethanall.com

DESCRIPTION: MINI PCI SOCKET 124 PIN, 0.80mm PITCH, PCB MOUNT, SMT, FEMALE, WITH LATCH & POST (H=9.20mm)