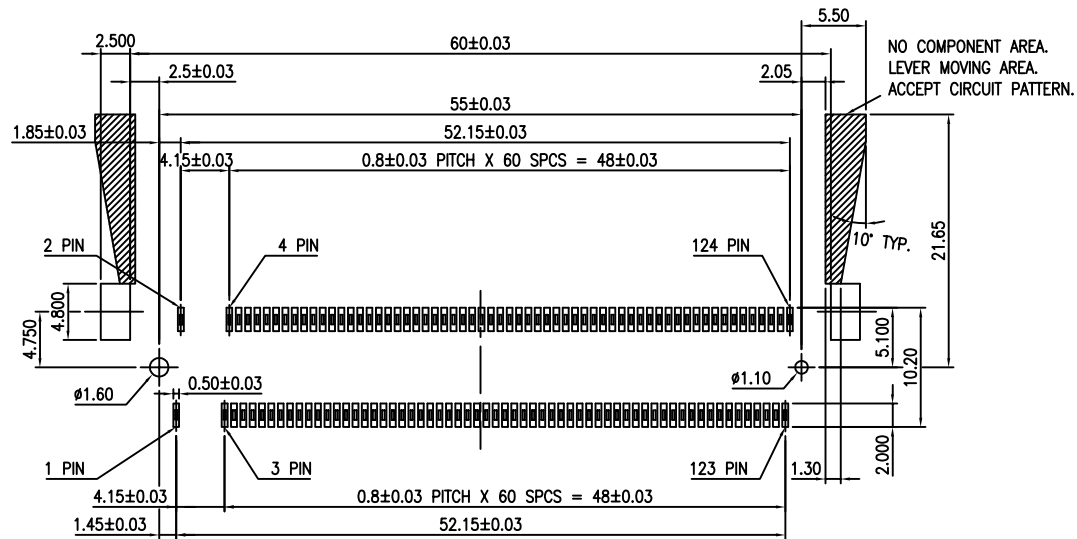


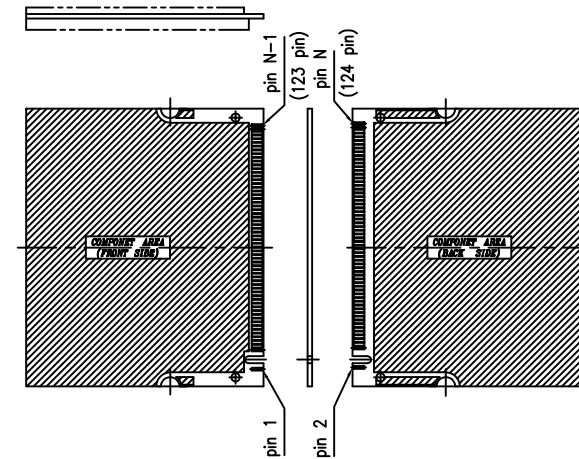
MORETHANALL
CONNECTORS
ASSEMBLIES

煜倫股份有限公司

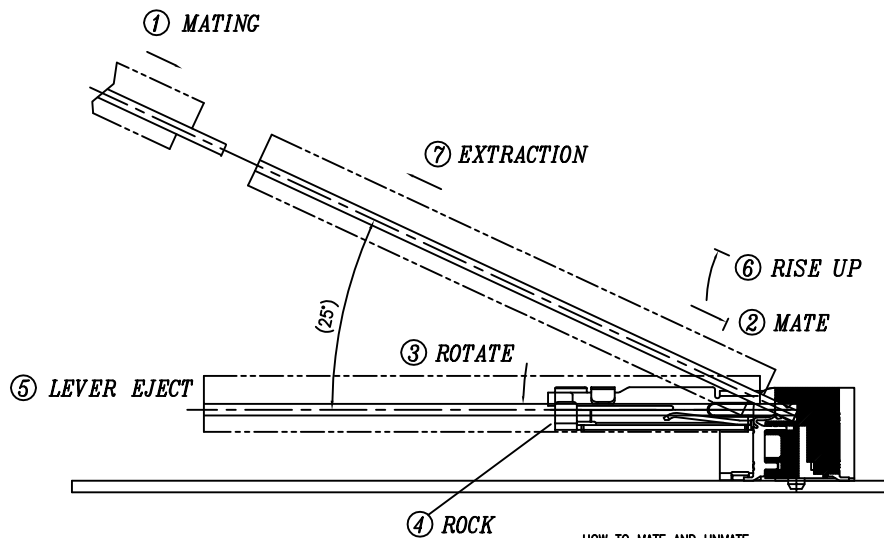
PART NO. MPCCI-W91-124		CHECKED BY CY		TOLERANCES ARE .X ± 0.2 .XX ± 0.1 .XXX \pm AWG	DESCRIP TION: 0.8 PITCH FAX MODEM 9.2mm SOCKET 124-POSITION.
DWG NO. MPCCI-W91-124		DRAWING BY			
FILE NO.		PROJECTION		AREA	REVISIONS
UNIT / mm	SCALE 1:1			HK	DATE



RECOMMENDED P.C. BOARD PATTERN LAYOUT
(CONNECTOR MOUNTING SIDE)

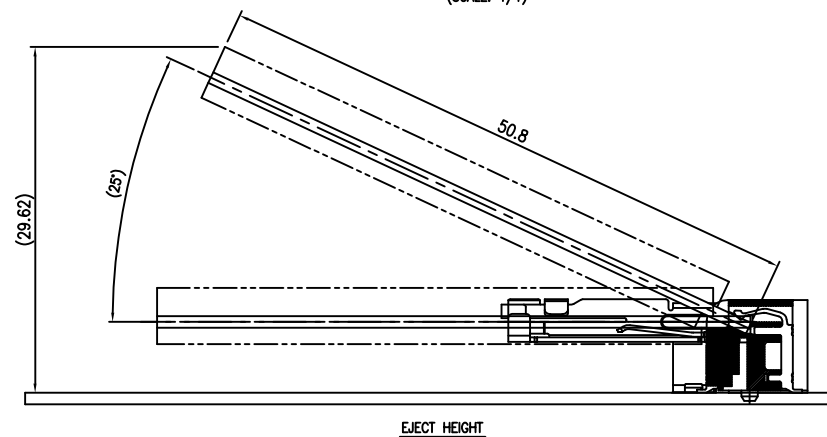


CIRCUIT POSITION OF S.O.DIMM
(SCALE: 1/1)



HOW TO MATE AND UNMATE

MATE: ① ~ ④
UNMATE: ⑤ ~ ⑦



EJECT HEIGHT

MORETHANALL
CONNECTORS
ASSEMBLIES

PART NO. MPC1-W91-124

DWG NO. MPC1-W91-124

FILE NO.

UNIT / mm

SCALE 1:1

CHECKED BY CY

DRAWING BY

PROJECTION



TOLERANCES ARE

.X ± 0.2
.XX ± 0.1
.XXX ±
AWG

DESCRIPTION:

0.8 PITCH FAX MODEM 8.0/9.2mm
SOCKET 124-POSITION.

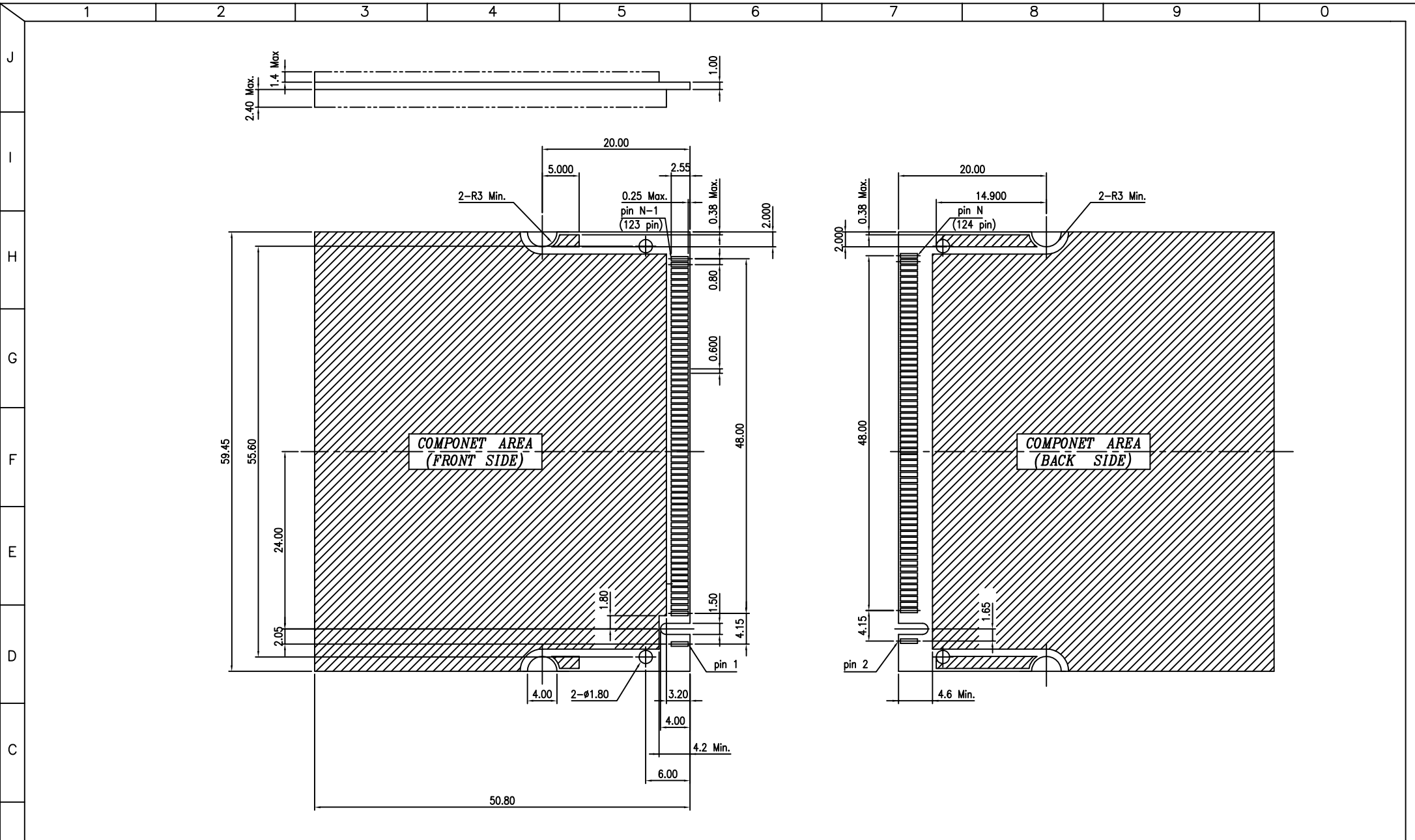
AREA

REVISIONS

HK

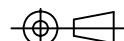
DATE

焯倫股份有限公司



MORETHANALL
CONNECTORS
ASSEMBLIES

焯倫股份有限公司

PART NO. MPC1-W91-124		CHECKED BY CY		TOLERANCES ARE .X ± 0.2 .XX ± 0.1 .XXX ± AWG	DESCRIP TION: 0.8 PITCH FAX MODEM 8.0/9.2m SOCKET 124-POSITION.
DWG NO. MPC1-W91-124		DRAWING BY			
FILE NO.		PROJECTION 		AREA	REVISIONS
UNIT / mm	SCALE 1:1			HK	DATE