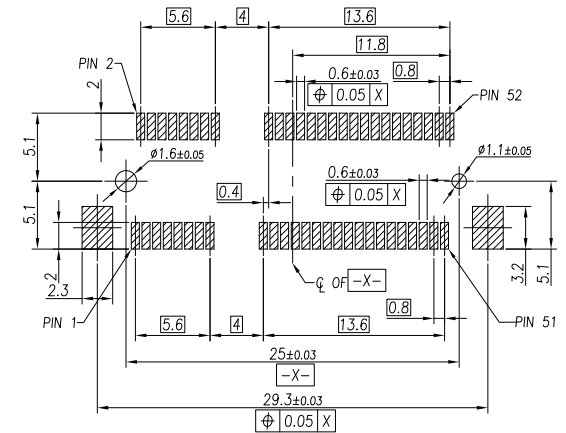


MATING: ① INSERTING(25°) → ② ROTATING → ③ FIXED
 UNMATING: ④ UNFIXED → ⑤ ROTATING → ⑥ WITHDRAWING



RECOMMEND PCB LAYOUT(MINIMUM THICKNESS OF THE PCB IS 0.8mm)
 (OTHER TOLERANCES ARE NOT MARKED:±0.03)

NOTES:

1.MATERIAL:

HOUSING: THERMOPLASTIC , BLACK COLOR ,
 FLAME RESISTANCE UL94-V0.

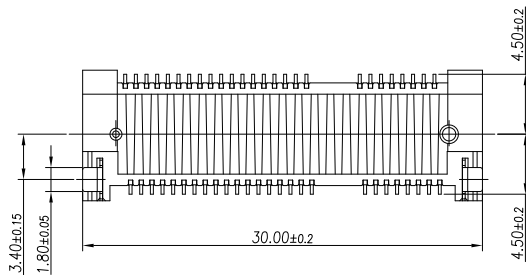
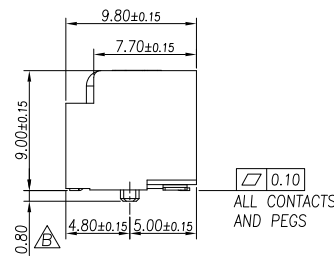
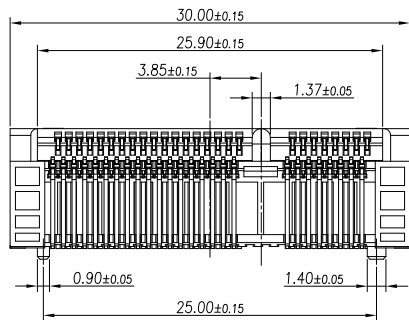
CONTACTS: COPPER ALLOY, THICKNESS 0.20mm.
 SOLDER PEGS: COPPER ALLOY, THICKNESS 0.2mm.

2.MSL LEVEL:

MSL(MOISTURE SENSITIVITY LEVELS)=1

3.FINISHED:

CONTACTS: GOLD PLATING ON CONTACT AREA AND
 50~120u" MATTE TIN PLATING ON SOLDER AREA.
 30~120u" NICKEL UNDER-PLATING OVER ALL.
 SOLDER PEGS: 50~120u" MATTE TIN PLATING OVER 50~120u"
 NICKEL UNDER-PLATING OVER ALL.



RoHS Compliant

TOLERANCES ARE

MORETHANALL
 PCB CONNECTORS
 Cable ASSEMBLIES

DRAWING BY CY

CHECKED BY GENIUS

UNIT / mm

SCALE 1 : 1

DATE

SIZE A4

PJECTION

X, ±
 .X ± 0.35
 .XX ± 0.25
 .XXX ±
 ANG ±

照片框

ORDER INFORMATION

MPCI-W90-052-LF

SERIES

LEADFREE

52 WAY

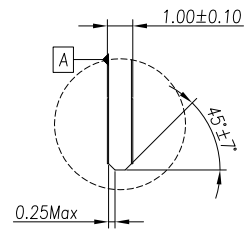
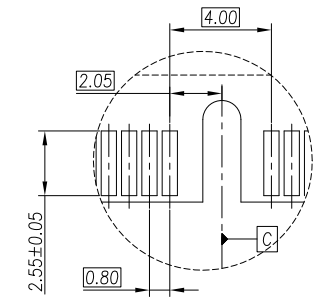
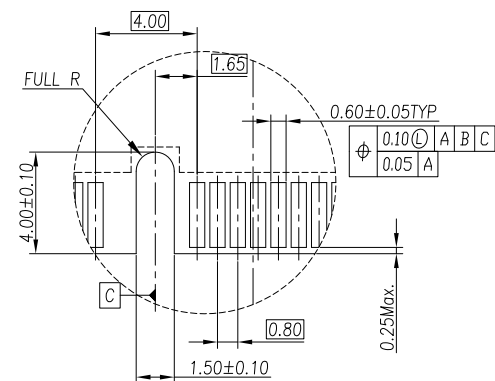
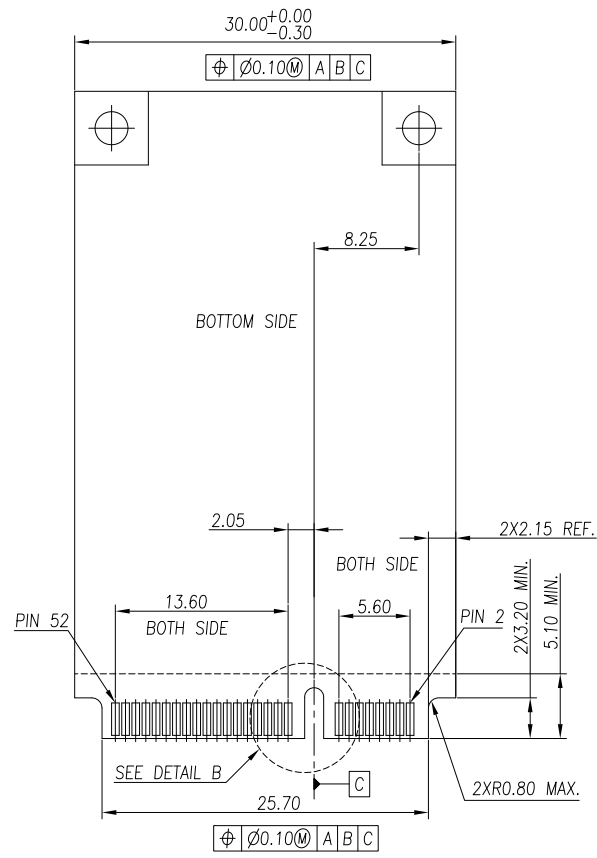
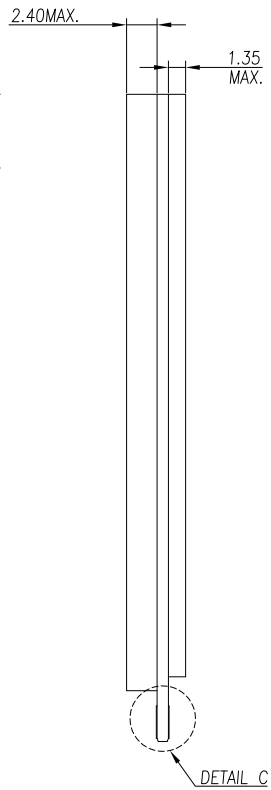
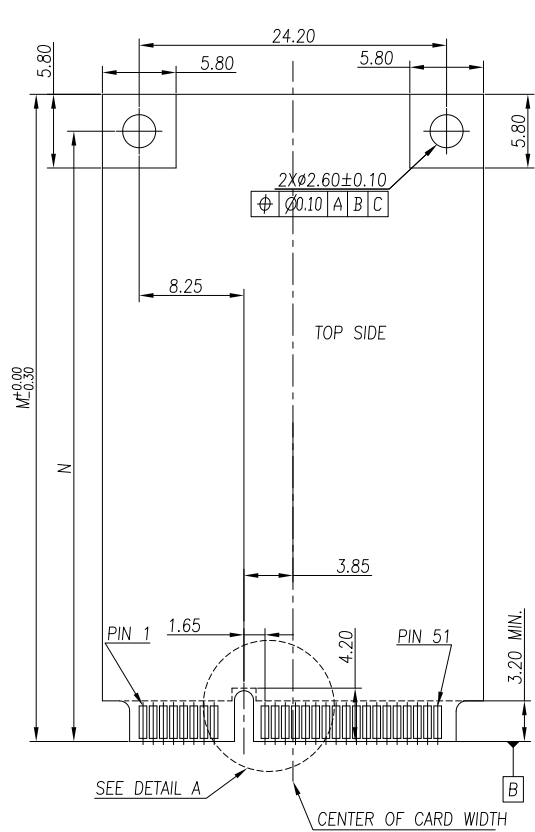
HIGH 9.0mm

90°SMT

煜倫股份有限公司

www.morethanall.com

DESCRIPTION: MINI PCI EXPRESS 9.0H



	M	N	P
FULL-MINI CARD	50.95	48.05	48.05
HALF-MINI CARD	26.8	23.9	23.9

RoHS Compliant

TOLERANCES ARE

照片框

ORDER INFORMATION

MPCI-W90-052-LF
 SERIES | LEADFREE
 52 WAY
 HIGH 9.0mm
 90°SMT

MORETHANALL
 PCB CONNECTORS
 Cable ASSEMBLIES

煜倫股份有限公司

www.morethanall.com

DRAWING BY CY

CHECKED BY GENIUS

UNIT / mm SCALE 1 : 1

DATE

SIZE A4

X, ±
 .X ± 0.35
 .XX ± 0.25
 .XXX ±
 ANG ±

PJECTION

DESCRIPTION: MINI PCI EXPRESS 9.0H