

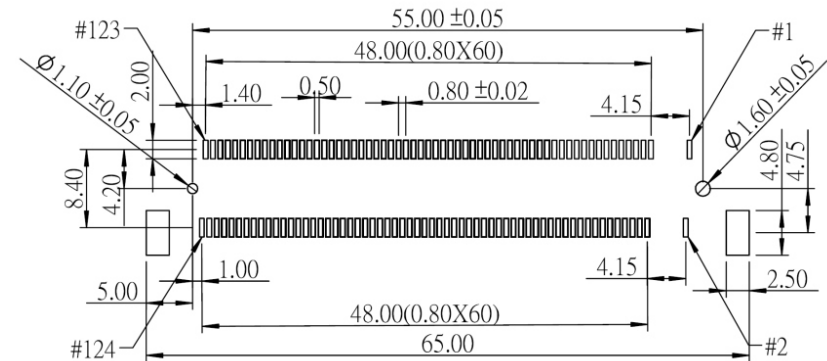
A-A (2.5 : 1)

NOTE:

1. SOLDERTAIL TO BE WITHIN 0.05 UPWARD AND 0.2 DOWNWARD FROM Z-DATUM PLACE, AND COPLANALITY OF SOLDERTAILS TO BE WITHIN 0.12. MEASUREMENT POINT IS SOLDERTAILS TIP.

2. INSPECTION SYMBOL:

- : MANUFACTURER INSPECTION
- ◆ : Q.C INSPECTION



PCB LAYOUT

RoHS Compliant

TOLERANCES ARE

**MORETHANALL**  
PCB CONNECTORS  
Cable ASSEMBLIES

DRAWING BY CY

X.  $\pm$

CHECKED BY GENIUS

.X  $\pm$

UNIT / mm

SCALE 1 : 1

.XX  $\pm$

DATE

.XXX  $\pm$

ANG  $\pm$

煜倫股份有限公司

www.morethanall.com

SIZE A4

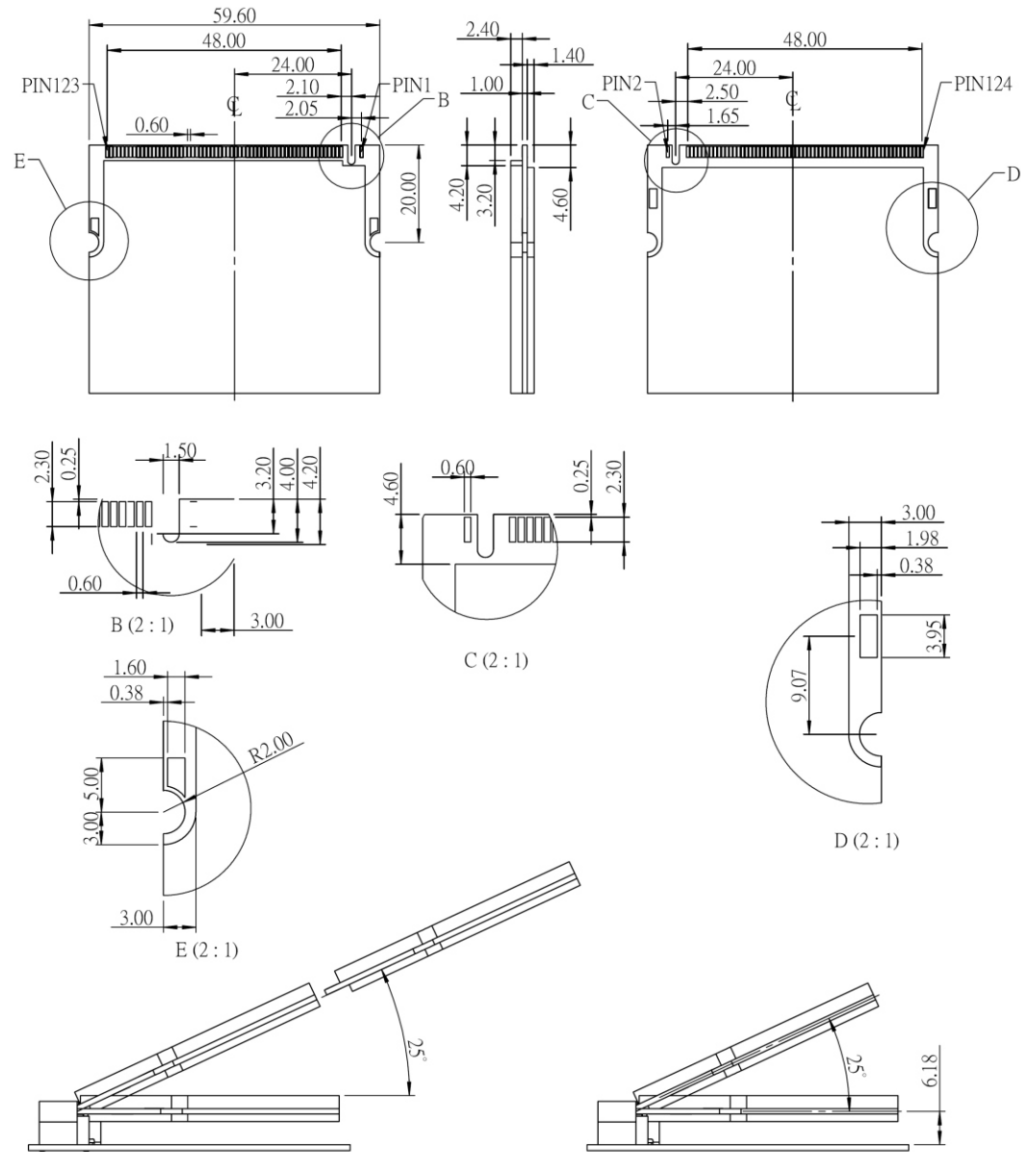
PPOJECTION

照片框

ORDER INFORMATION

MPCI-W80R-124-LF  
SERIES | LEADFREE  
| 124 WAY  
| REEL  
| HIGH 8.0mm  
| 90°SMT

DESCRIPTION:



RoHS Compliant

TOLERANCES ARE

**MORETHANALL**  
PCB CONNECTORS  
Cable ASSEMBLIES

DRAWING BY CY

X, ±

CHECKED BY GENIUS

X, ±

煜倫股份有限公司

UNIT / mm SCALE 1 : 1

.XX ±

DATE

.XXX ±

SIZE A4

PPOJECTION

ANG ±

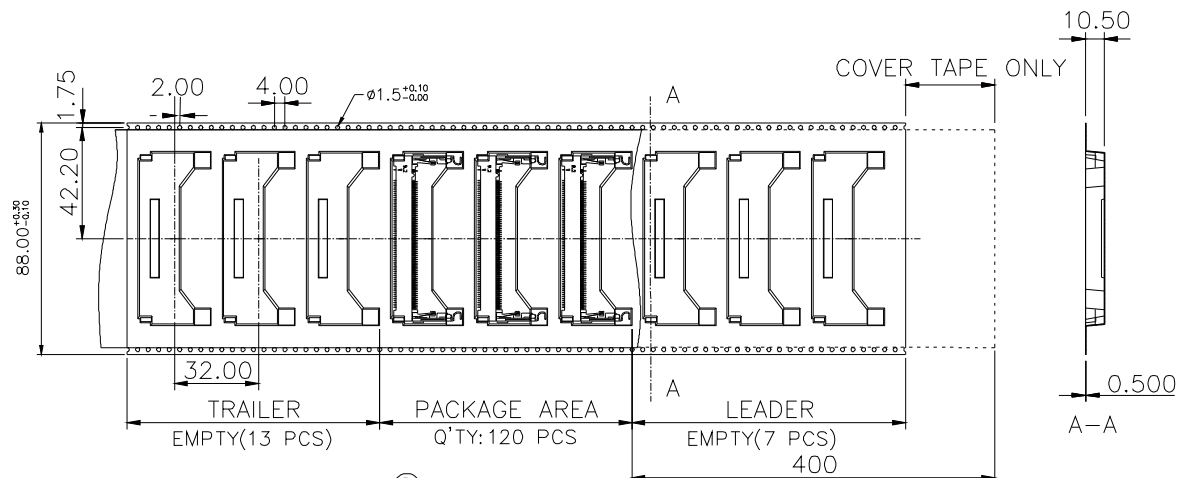
照片框

ORDER INFORMATION

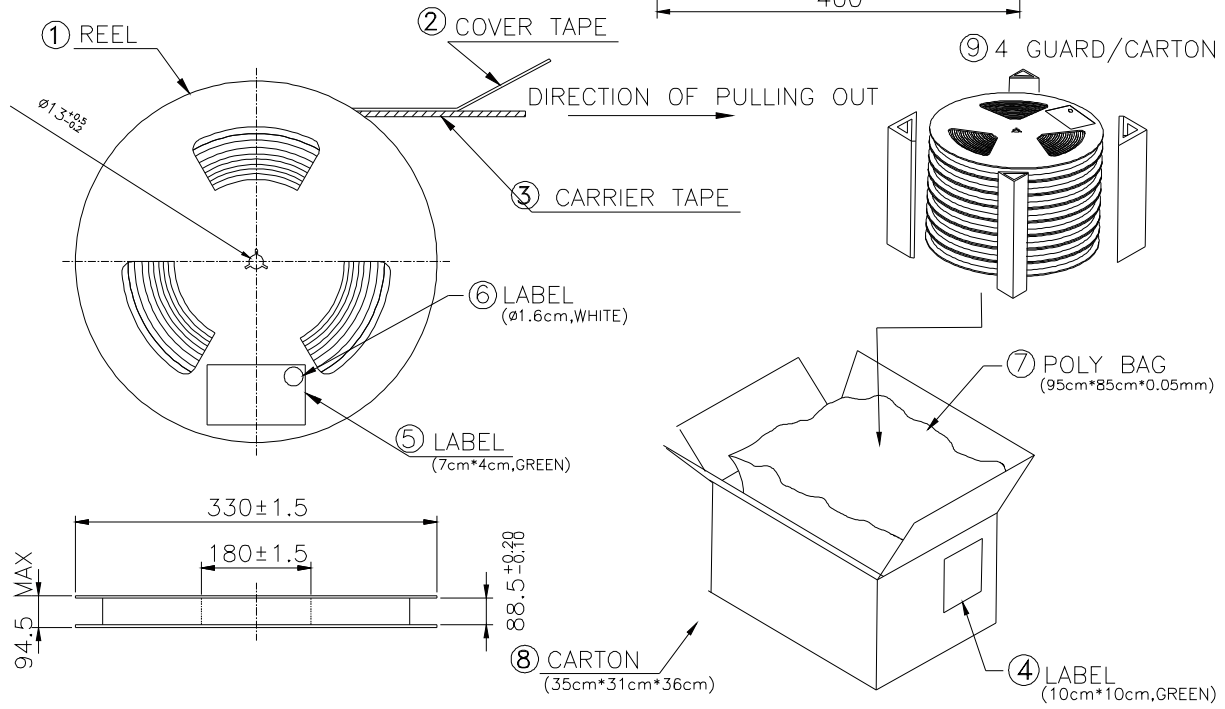
MPCI-W80R-124-LF  
SERIES | LEADFREE  
124 WAY  
REEL  
HIGH 8.0mm  
90°SMT

DESCRIPTION:

www.morethanall.com



	MATERIAL	P/N	REMARKS
1	REEL	REEL-RA388	H=94.5max
2	COVER	REEL-UC825/A	W=82.5mm
3	CARRIER TAPE	REEL-051LAB8802	W=88mm
4	LABEL(for RoHS)	CTP-00004	1 LABEL/CARTON
5	LABEL(for RoHS)	CTB-00004	1 LABEL/REEL
6	LABEL(for RoHS)	CTB-00005	1 LABEL/REEL
7	POLY BAG	95cmX85cmX0.05m/m	1 BAG/CARTON
8	CARTON	CTN-C100Y	CARTON/3 REEL/360pcs
9	GUARD	CTN-N3025	4 GUARD/CARTON



**RoHS Compliant**

TOLERANCES ARE

**MORETHANALL**  
PCB CONNECTORS  
Cable ASSEMBLIES

DRAWING BY CY

X, ±

CHECKED BY GENIUS

.X ±

UNIT / mm

SCALE 1 : 1

.XX ±

DATE

.XXX ±

ANG ±

SIZE A4

PPOJECTION

照片框

**ORDER INFORMATION**

MPCI-W80R-124-LF  
SERIES | | | LEADFREE  
| | | 124 WAY  
| | | REEL  
| | | HIGH 8.0mm  
| | | 90°SMT

煜倫股份有限公司

www.morethanall.com

DESCRIPTION: PACKING INFORMATION