

DATE CODE: 0163 (YWW)  
 Y: 0 YEAR(2010)  
 WW:16 WEEK(01~52)  
 D: 3 DAY(01~07)

ITEM	PART NAME	Q'TY	MATERIAL	PLATING
1	BODY	1	LCP	
2	CONTACT	52	PHOSPHOR BRONZE	GOLD 1u"
3	HOLD DOWN	2	BRASS	TIN 100u"

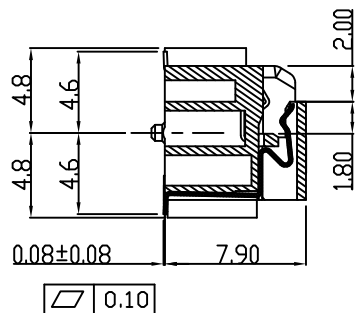
Material  
 Plastic Body : LCP, Color Black.  
 Contact : Phosphor Bronze Alloy (C5191R-H)  
 Contacts Plating: Contact area: Gold Plated  
 Solder area: Tin  
 Hold Down : Brass(C2680R-H)  
 Hold Down Plating: Tin

Electrical:  
 Rating Current: 0.5A(Max.)/(1PIN)  
 Rating Voltage: 50V AC  
 Contact Resistance: 30 mΩ (Max)  
 Insulation Resistance: 500 MΩ (Min.)

Mechanical:  
 Contact Normal Force: 50 gf per pin (Min.)  
 Durability: 100 mating and unmating cycles

Environmental:  
 Operating Temperature: -40°C to +90°C  
 Storage Temperature: -40°C to +90°C  
 Solder ability: 260±5°C

SECTION A-A



RoHS Compliant

TOLERANCES ARE

**MORETHANALL**  
 PCB CONNECTORS  
 Cable ASSEMBLIES

煜倫股份有限公司

www.morethanall.com

DRAWING BY CY

CHECKED BY GENIUS

UNIT / mm

SCALE 1 : 1

DATE

SIZE A4

PJECTION

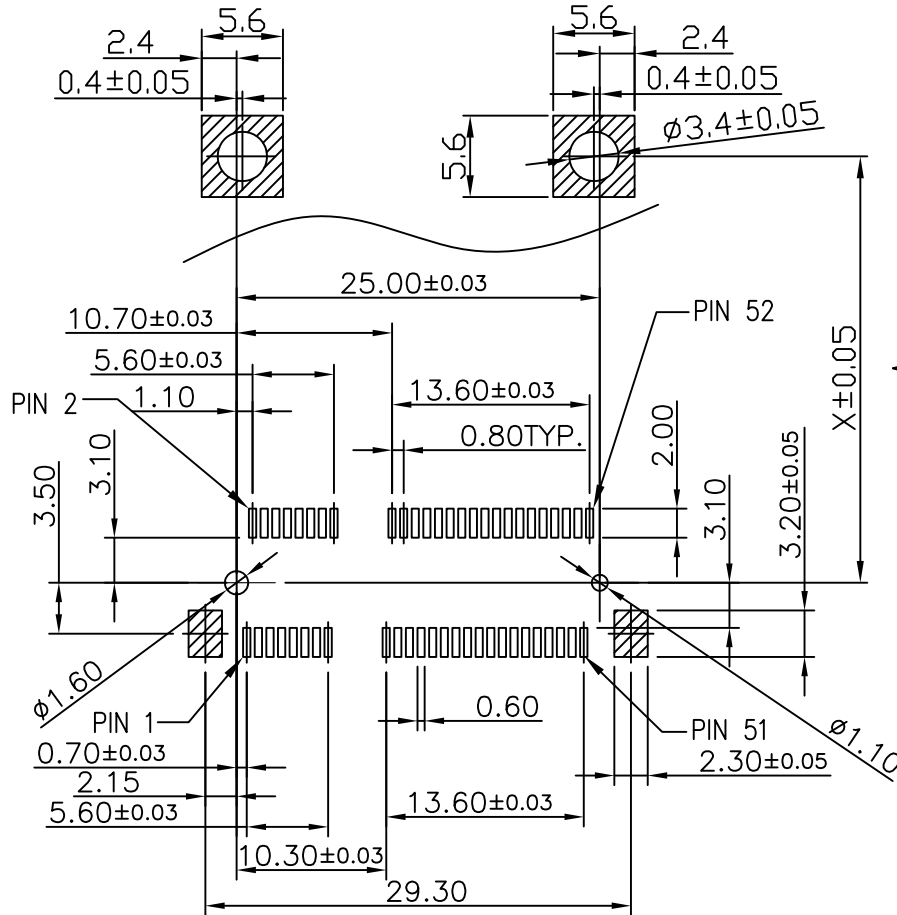
X, ±  
 .X ± 0.30  
 .XX ± 0.25  
 .XXX ± 0.20  
 ANG ± 5°

照片框

ORDER INFORMATION

MPCI-W80R-052-LF  
 SERIES | | | LEADFREE  
 | | | 52 WAY  
 | | | REEL  
 | | | HIGH 8.0mm  
 | | | 90°SMT

DESCRIPTION: Mini PCI Express Socket H:8.0mm



Note:  
 Standard Card: X=48.05mm  
 (Card Length 50.95mm)

Short Card: X=23.90mm  
 (Card Length 26.65mm)

Recommended P.C.Board Layout.

RoHS Compliant

TOLERANCES ARE

**MORETHANALL**  
 PCB CONNECTORS  
 Cable ASSEMBLIES

煜倫股份有限公司

www.morethanall.com

DRAWING BY CY

CHECKED BY GENIUS

UNIT / mm

SCALE 1 : 1

DATE

SIZE A4

PJECTION

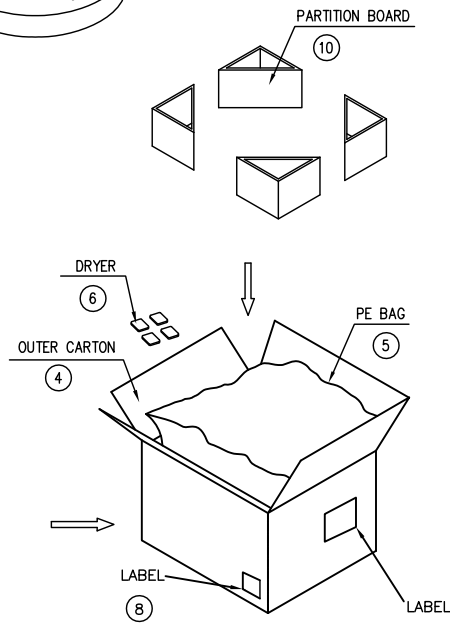
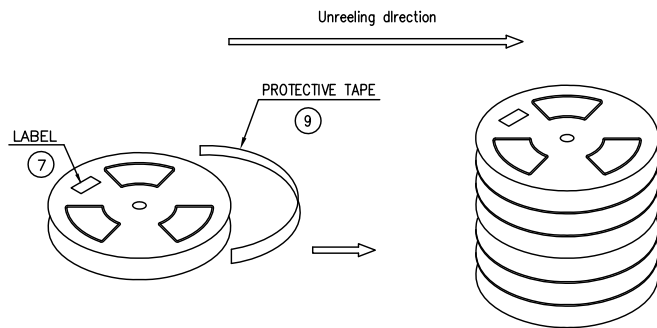
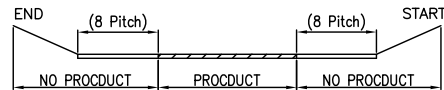
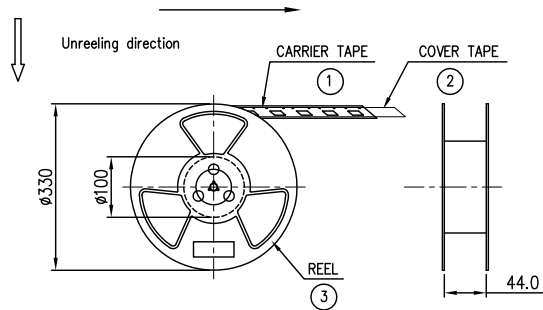
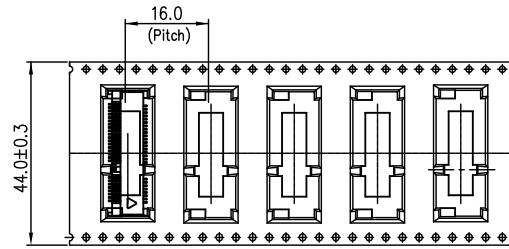
X, ±  
 .X ± 0.25  
 .XX ± 0.20  
 .XXX ±  
 ANG ± 5°

照片框

ORDER INFORMATION

MPCI-W80R-052-LF  
 SERIES | | | LEADFREE  
 | | | 52 WAY  
 | | | REEL  
 | | | HIGH 8.0mm  
 | | | 90°SMT

DESCRIPTION: Mini PCI Express Socket Layout



NOTES:  
1. PACKING STYLE:

MPCI-W40R-052  
700 PCS/REEL  
4200 PCS/OUTER CARTON

MPCI-W56R-052  
550 PCS/REEL  
3300 PCS/OUTER CARTON

MPCI-W80R-052  
400 PCS/REEL  
2400 PCS/OUTER CARTON

①②  
MPCI-W92R-052  
300 PCS/REEL  
1800 PCS/OUTER CARTON

2. MATERIAL CARRIER TAPE: PS BLACK  
COVER TAPE: PET FILM  
REEL: PLASTIC
3. PEEL STRENGTH OF COVER TAPE: 20-80g (PEEL SPEED 300mm/MINUTE).

10	PARTITION BOARD	4	PCS	
9	PROTECTIVE TAPE	3	PCS	
8	LABEL	1	PCS	
7	LABEL	6	PCS	
6	DRYER	4	BAG	
5	PE BAG	1	PCS	L850*W750mm
4	OUTER CARTON	1	PCS	
3	REEL	6	SET	φ330*100mm, W=44mm
2	COVER TAPE	SEE NOTES	6	PCS W=37.5mm
1	CARRIER TAPE			W=44mm, T=0.35mm
NO	PACKING NAME	PCS/R/BOX	UNIT	NOTE
		PACKING QTY		

RoHS Compliant

TOLERANCES ARE

**MORETHANALL**  
PCB CONNECTORS  
Cable ASSEMBLIES

DRAWING BY CY

X. ± 0.30

CHECKED BY GENIUS

.X ± 0.25

UNIT / mm

SCALE 1 : 1

.XXX ±

DATE

ANG ± 5°

SIZE A4

PPOJECTION

照片框

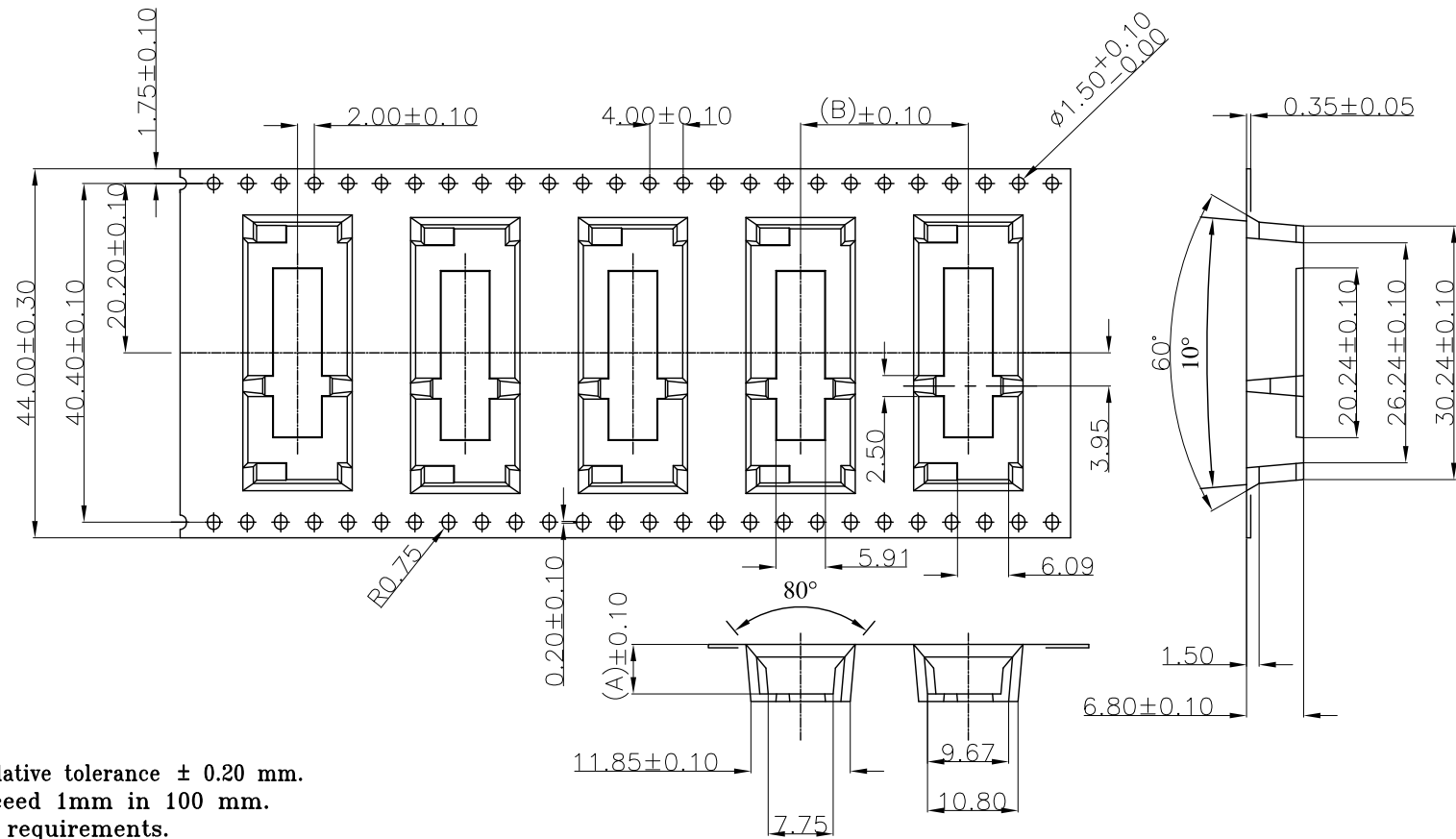
ORDER INFORMATION

MPCI-W80R-052-LF  
SERIES | | | LEADFREE  
| | | 52 WAY  
| | | REEL  
| | | HIGH 8.0mm  
| | | 90°SMT

煜倫股份有限公司

www.morethanall.com

DESCRIPTION: Mini PCI Express Socket



**NOTES:**

1. 10 sprocket hole pitch cumulative tolerance  $\pm 0.20$  mm.
2. Carrier camber not to exceed 1mm in 100 mm.
3. All scope meet EIA-481-C requirements.
4. Material: Black Anti-static Polystyrene.
5. Thickness:  $0.35 \pm 0.05$  mm.

DIM.	MPCI-W40R-052	MPCI-W52R-052	MPCI-W56R-052	MPCI-W80R-052	MPCI-W92R-052
A	4.30	5.50	5.90	8.30	9.50
B	16.00	16.00	16.00	16.00	20.00

**RoHS Compliant**

TOLERANCES ARE

**MORETHANALL**  
PCB CONNECTORS  
Cable ASSEMBLIES

煜倫股份有限公司

www.morethanall.com

DRAWING BY CY

CHECKED BY GENIUS

UNIT / mm

SCALE 1 : 1

DATE

SIZE A4

PPOJECTION

X.  $\pm 0.30$   
X.  $\pm 0.25$   
.XX  $\pm 0.20$   
.XXX  $\pm$   
ANG  $\pm 5^\circ$

照片框

**ORDER INFORMATION**

MPCI-W80R-052-LF  
SERIES | | | LEADFREE  
| | | 52 WAY  
| | | REEL  
| | | HIGH 8.0mm  
| | | 90°SMT

DESCRIPTION: Mini PCI Express Socket