

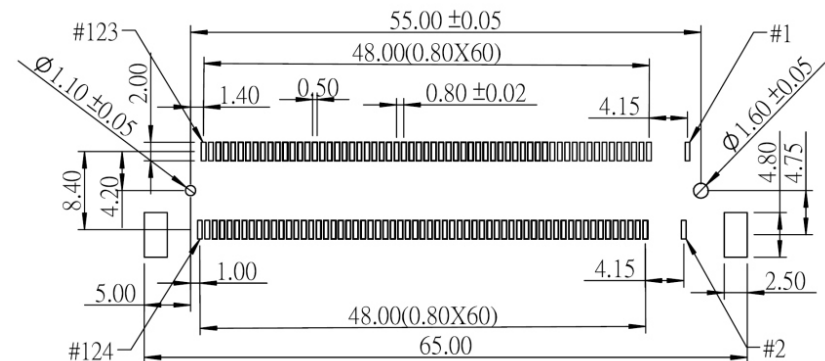
A-A (2.5 : 1)

NOTE:

1. SOLDERTAIL TO BE WITHIN 0.05 UPWARD AND 0.2 DOWNWARD FROM Z-DATUM PLACE, AND COPLANALITY OF SOLDERTAILS TO BE WITHIN 0.12. MEASUREMENT POINT IS SOLDERTAILS TIP.

2. INSPECTION SYMBOL:

- : MANUFACTURER INSPECTION
- ◆ : Q.C INSPECTION



PCB LAYOUT

RoHS Compliant

TOLERANCES ARE

MORETHANALL
PCB CONNECTORS
Cable ASSEMBLIES

DRAWING BY CY

X. ±

CHECKED BY GENIUS

.X ±

UNIT / mm

SCALE 1 : 1

.XX ±

DATE

.XXX ±

ANG ±

SIZE A4

PPOJECTION

照片框

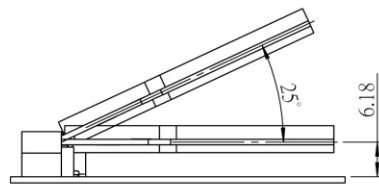
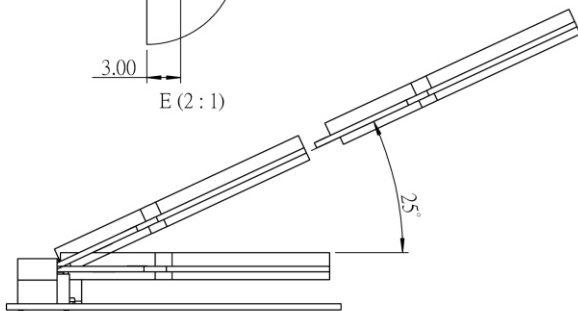
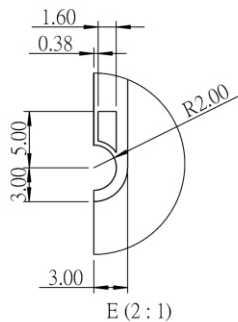
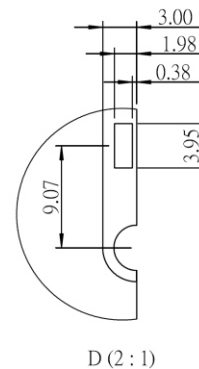
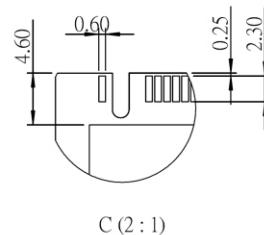
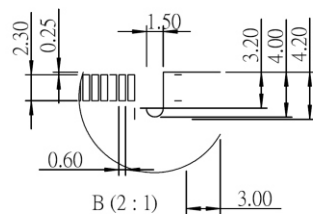
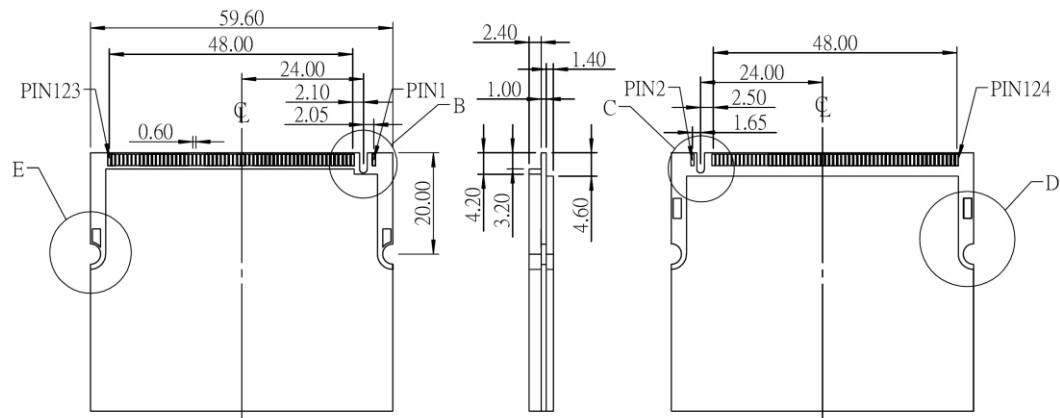
ORDER INFORMATION

MPCI-W80-124-LF
SERIES | LEADFREE
124 WAY
HIGH 8.0mm
90°SMT

煜倫股份有限公司

www.morethanall.com

DESCRIPTION:



RoHS Compliant

TOLERANCES ARE

MORETHANALL
PCB CONNECTORS
Cable ASSEMBLIES

DRAWING BY CY

X, ±

CHECKED BY GENIUS

X, ±

UNIT / mm

SCALE 1 : 1

.XX ±

DATE

.XXX ±

ANG ±

照片框

ORDER INFORMATION

MPCI-W80-124-LF

SERIES

LEADFREE

124 WAY

HIGH 8.0mm

90°SMT

煜倫股份有限公司

www.morethanall.com

SIZE A4

PJECTION

DESCRIPTION: