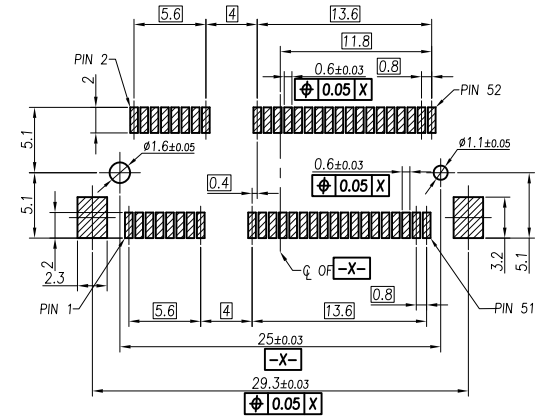
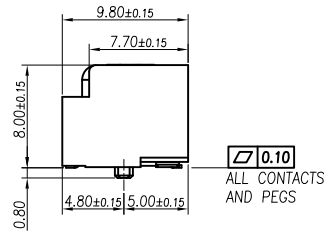
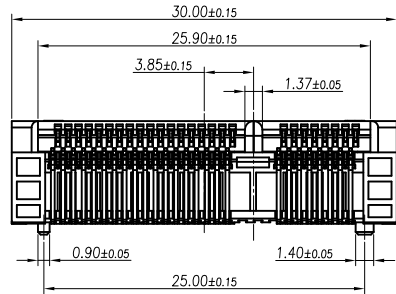


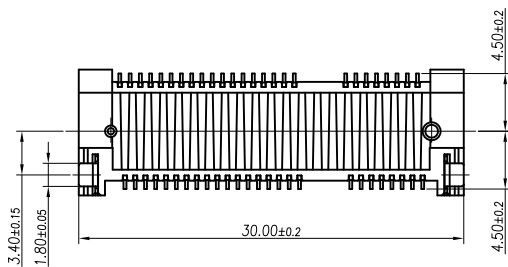
MATING: ① INSERTING(25°) → ② ROTATING → ③ FIXED
 UNMATING: ④ UNFIXED → ⑤ ROTATING → ⑥ WITHDRAWING



RECOMMEND PCB LAYOUT(MINIMUM THICKNESS OF THE PCB IS 0.8mm)
 (OTHER TOLERANCES ARE NOT MARKED:±0.03)

NOTES:

- MATERIAL:
 HOUSING: THERMOPLASTIC, BLACK COLOR, FLAME RESISTANCE UL94-V0.
 CONTACTS: COPPER ALLOY, THICKNESS 0.20mm.
 SOLDER PEGS: COPPER ALLOY, THICKNESS 0.2mm.
- MSL LEVEL:
 MSL(MOISTURE SENSITIVITY LEVELS)=1
- FINISHED:
 CONTACTS: GOLD PLATING ON CONTACT AREA AND 50~120u" MATTE TIN PLATING ON SOLDER AREA.
 30~120u" NICKEL UNDER-PLATING OVER ALL.
 SOLDER PEGS: 50~120u" MATTE TIN PLATING OVER ALL.
 50~120u" NICKEL UNDER-PLATING OVER ALL.



RoHS Compliant

TOLERANCES ARE

MORETHANALL
 PCB CONNECTORS
 Cable ASSEMBLIES

DRAWING BY CY

CHECKED BY GENIUS

UNIT / mm

SCALE 1 : 1

DATE

SIZE A4

PJECTION

X, ±
 .X ± 0.35
 .XX ± 0.25
 .XXX ±
 ANG ±

照片框

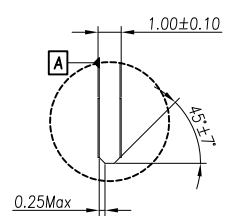
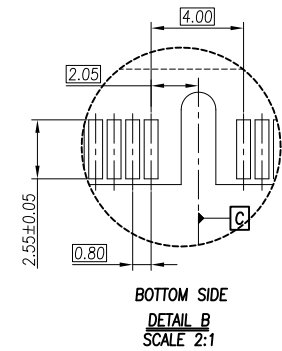
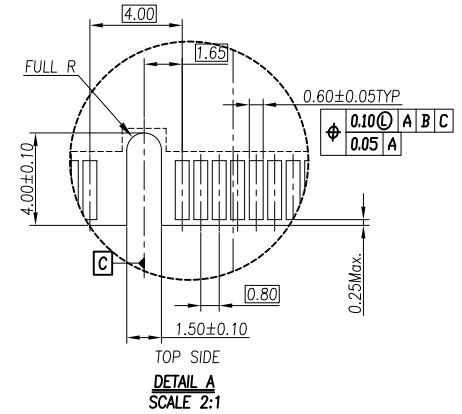
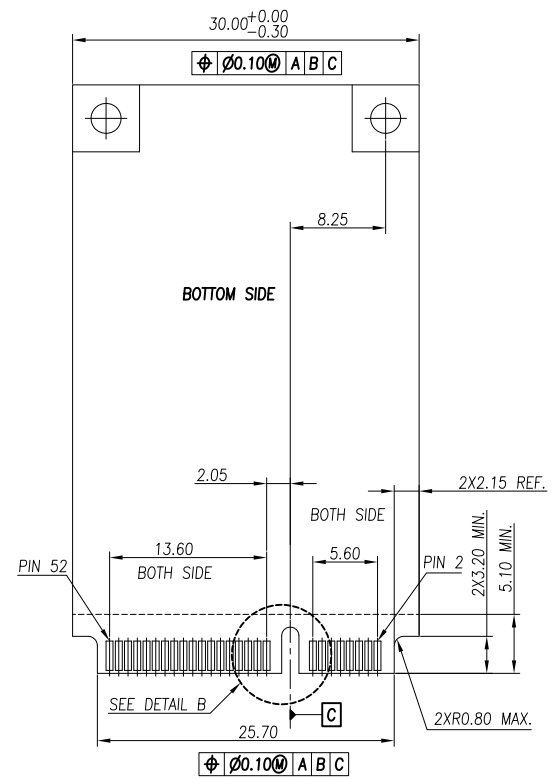
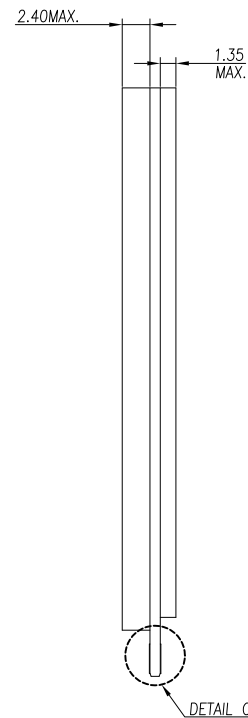
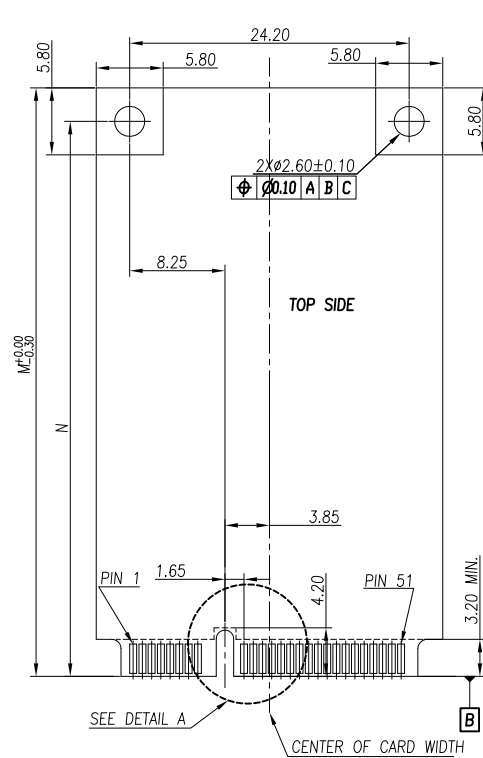
ORDER INFORMATION

MPCI-W80-052-LF
 SERIES | LEADFREE
 52 WAY
 HIGH 8.0mm
 90°SMT

煜倫股份有限公司

www.morethanall.com

DESCRIPTION: MINI PCI EXPRESS 8.0H



DETAIL C
SCALE 2:1

	M	N	P
FULL-MINI CARD	50.95	48.05	49
HALF-MINI CARD	26.8	23.9	25

RoHS Compliant

TOLERANCES ARE

- X. ±
- .X ± 0.35
- .XX ± 0.25
- .XXX ±
- ANG ±

DRAWING BY CY
CHECKED BY GENIUS
UNIT / mm SCALE 1 : 1
DATE
SIZE A4

PJECTION



ORDER INFORMATION

MPCI-W80-052-LF
SERIES | LEADFREE
52 WAY
HIGH 8.0mm
90°SMT

DESCRIPTION: MINI PCI EXPRESS 8.0H

MORETHANALL
PCB CONNECTORS
Cable ASSEMBLIES
煜倫股份有限公司
www.morethanall.com