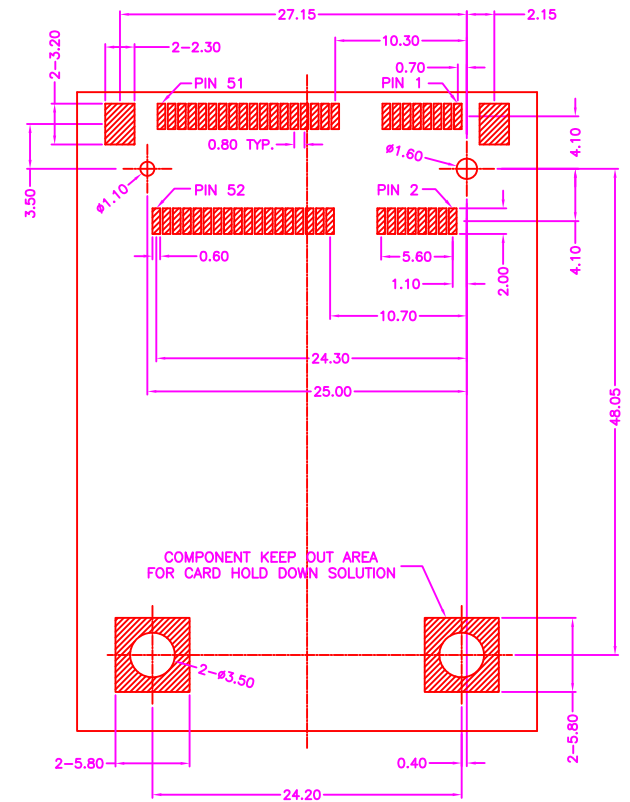


SECTION A-A



P.C.B. LAYOUT
TOP VIEW ± 0.05

MATERIALS

HOUSING: LCP (UL 94V-0)
 SOLDER PAD: STEEL, TIN PLATING
 TERMINAL: COPPER ALLOY, GOLD PLATED ON CONTACT AREA
 TIN PLATING ON SOLDER TAIL

SPECIFICATION

CURRENT RATING: 0.5 AMP MAX
 DIELECTRIC WITHSTANDING: 300V AC FOR ONE MINUTE
 CONTACT RESISTANCE: 55m OHMS MAX
 INSULATION RESISTANCE: 500M OHMS MIN AT DC 500V
 OPERATION TEMPERATURE: $-40^{\circ}\text{C} \sim +85^{\circ}\text{C}$

RoHS Compliant

TOLERANCES ARE

MORETHANALL
 PCB CONNECTORS
 Cable ASSEMBLIES

煜倫股份有限公司

www.morethanall.com

DRAWING BY CY

CHECKED BY GENIUS

UNIT / mm SCALE 1 : 1

DATE

SIZE A4

X. ± 0.40
 .X ± 0.30
 .XX ± 0.20
 .XXX ± 0.10
 ANG $\pm 1^{\circ}$

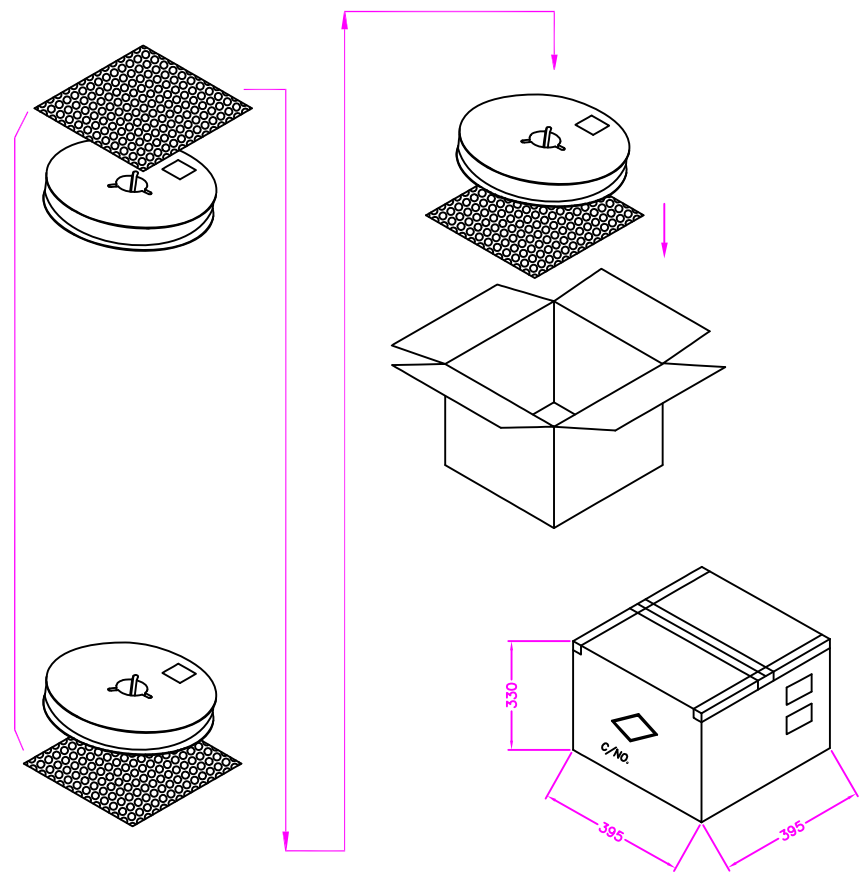
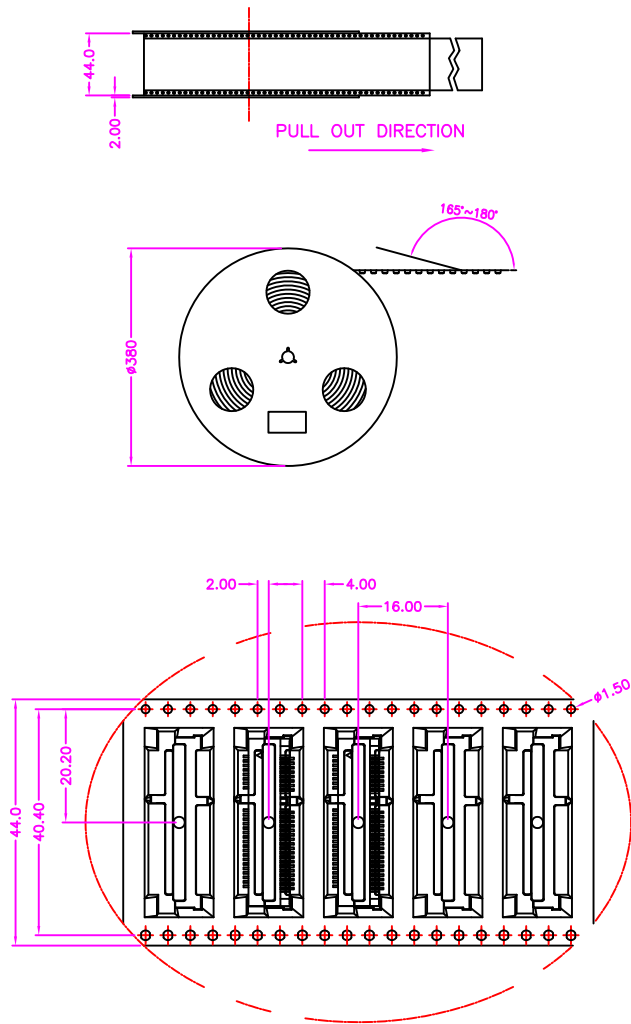
PJECTION

照片框

ORDER INFORMATION

MPCI-W68R-052-LF
 SERIES | | | LEADFREE
 | | | 52 WAY
 | | | REEL
 | | | HIGH 6.8mm
 | | | 90°SMT

DESCRIPTION: MINI PCI EXPRESS, 0.80mm PITCH, PCB MOUNT, SMT, FEMALE, 1 KEY, WITH PAD
 HEIGHT=6.70mm



NOTE: 700PCS/ REEL, 4200PCS/ 6 REEL/ CARTON

RoHS Compliant

TOLERANCES ARE

MORETHANALL
PCB CONNECTORS
Cable ASSEMBLIES

DRAWING BY CY

X. ± 0.40

CHECKED BY GENIUS

.X ± 0.30

UNIT / mm

SCALE 1 : 1

.XX ± 0.20

DATE

.XXX ± 0.10

ANG ± 1°

煜倫股份有限公司

www.morethanall.com

SIZE A4

P PROJECTION

照片框

ORDER INFORMATION

MPCI-W68R-052-LF

SERIES

LEADFREE

52 WAY

REEL

HIGH 6.8mm

90°SMT

DESCRIPTION: MINI PCI EXPRESS, 0.80mm PITCH, PCB MOUNT, SMT, FEMALE, 1 KEY, WITH PAD
HEIGHT=6.70mm