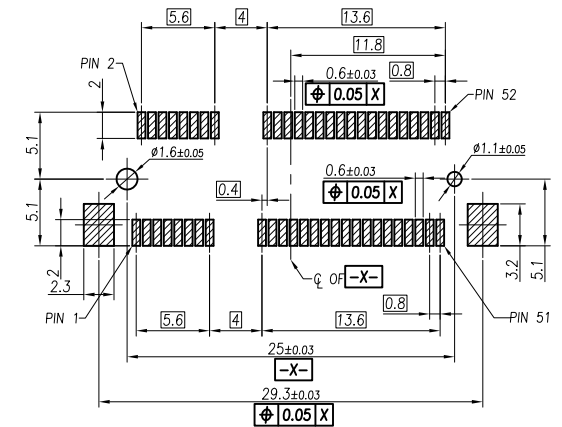
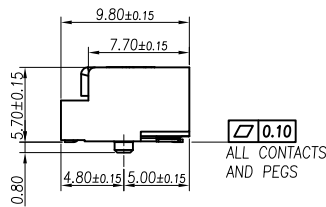
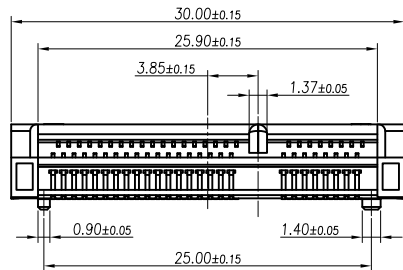


MATING: ① INSERTING(25°) → ② ROTATING → ③ FIXED  
 UNMATING: ④ UNFIXED → ⑤ ROTATING → ⑥ WITHDRAWING



RECOMMEND PCB LAYOUT(MINIMUM THICKNESS OF THE PCB IS 0.8mm)  
 (OTHER TOLERANCES ARE NOT MARKED:±0.03)



NOTES:

1.MATERIAL:

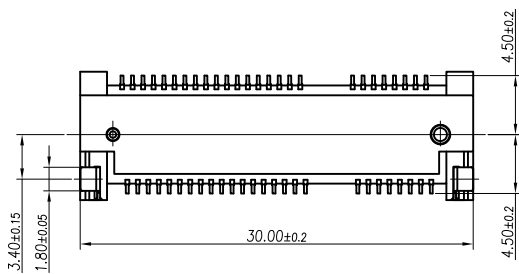
HOUSING: THERMOPLASTIC , BLACK COLOR ,  
 FLAME RESISTANCE UL94-V0.  
 CONTACTS: COPPER ALLOY, THICKNESS 0.20mm.  
 SOLDER PEGS: COPPER ALLOY, THICKNESS 0.2mm.

2.MSL LEVEL:

MSL(MOISTURE SENSITIVITY LEVELS)=1

3.FINISHED:

CONTACTS: GOLD PLATING ON CONTACT AREA AND  
 50~120u" MATTE TIN PLATING ON SOLDER AREA.  
 30~120u" NICKEL UNDER-PLATING OVER ALL.  
 SOLDER PEGS: 50~120u" MATTE TIN PLATING OVER 50~120u"  
 NICKEL UNDER-PLATING OVER ALL.



RoHS Compliant

TOLERANCES ARE

**MORETHANALL**  
 PCB CONNECTORS  
 Cable ASSEMBLIES

DRAWING BY CY

CHECKED BY GENIUS

UNIT / mm

SCALE 1 : 1

DATE

SIZE A4

PJECTION

X, ±  
 .X ± 0.35  
 .XX ± 0.25  
 .XXX ±  
 ANG ±

照片框

ORDER INFORMATION

MPCI-W57-052-LF

SERIES

LEADFREE

52 WAY

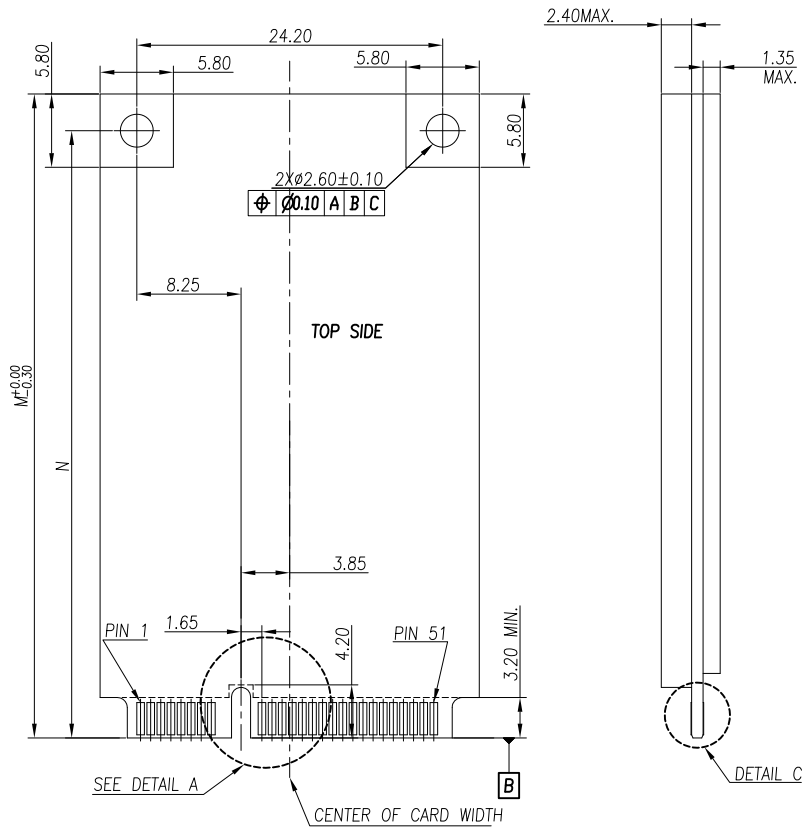
HIGH 5.7mm

90°SMT

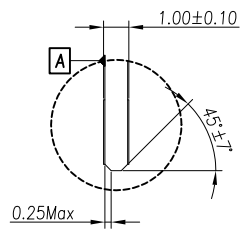
煜倫股份有限公司

www.morethanall.com

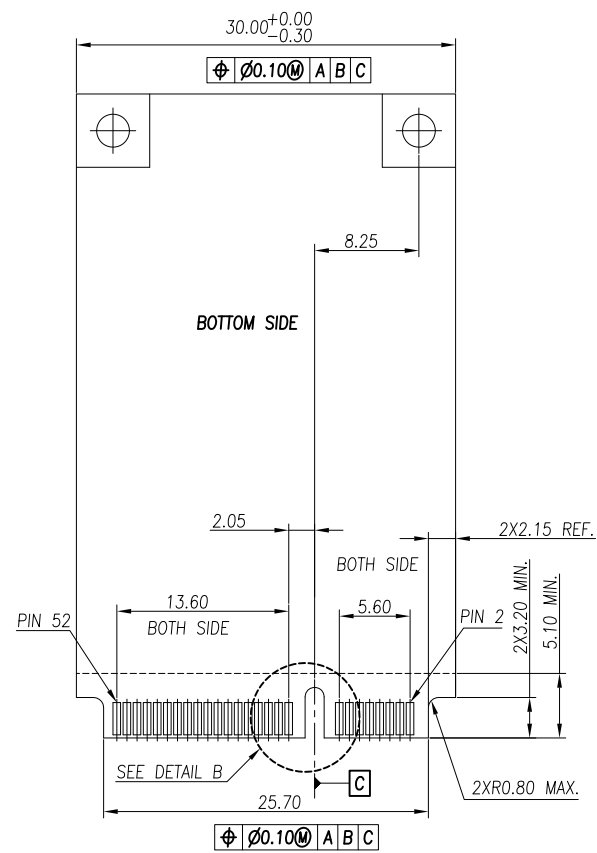
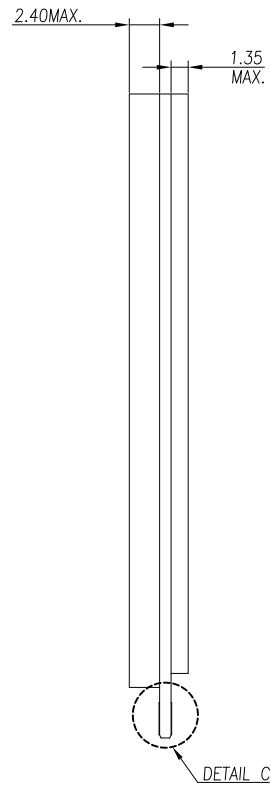
DESCRIPTION: MINI PCI EXPRESS 5.7H



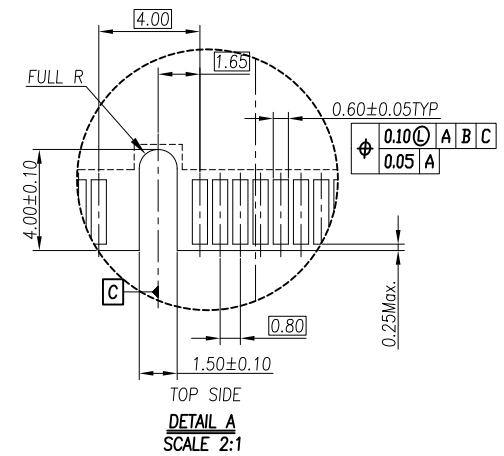
SEE DETAIL A  
CENTER OF CARD WIDTH



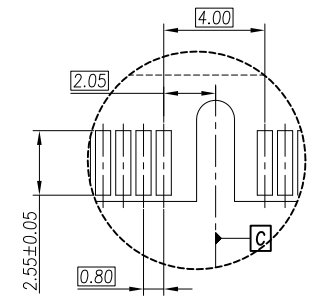
DETAIL C  
SCALE 2:1



	M	N	
FULL-MINI CARD	50.95	48.05	48.05
HALF-MINI CARD	26.8	23.9	23.9



TOP SIDE  
DETAIL A  
SCALE 2:1



BOTTOM SIDE  
DETAIL B  
SCALE 2:1

RoHS Compliant

TOLERANCES ARE

**MORETHANALL**  
PCB CONNECTORS  
Cable ASSEMBLIES  
**煜倫股份有限公司**  
www.morethanall.com

DRAWING BY CY  
CHECKED BY GENIUS  
UNIT / mm SCALE 1:1  
DATE  
SIZE A4

X. ±  
.X ± 0.35  
.XX ± 0.25  
.XXX ±  
ANG ±

PJECTION

照片框

ORDER INFORMATION

MPCI-W57-052-LF  
SERIES | LEADFREE  
52 WAY  
HIGH 5.7mm  
90°SMT

DESCRIPTION: MINI PCI EXPRESS 5.7H