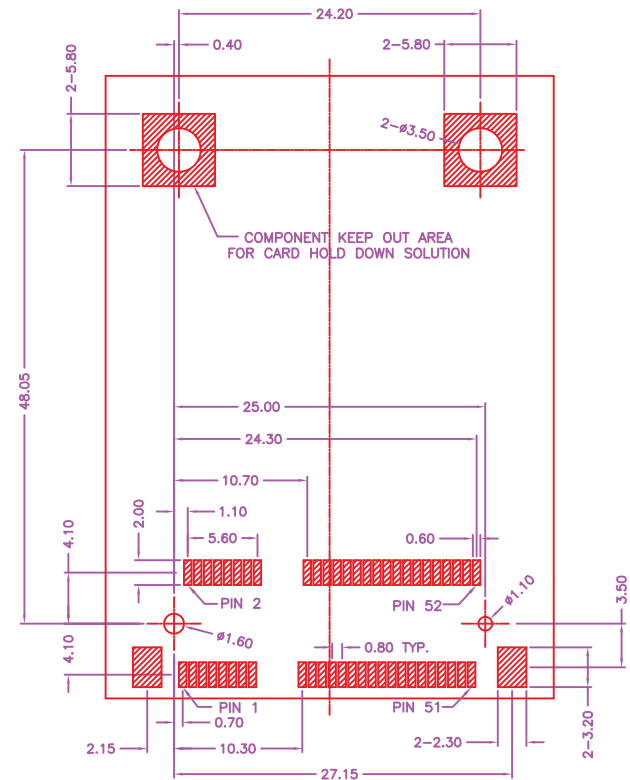


SECTION A-A



P.C.B. LAYOUT  
TOP VIEW ±0.05

**MATERIALS**

HOUSING: LCP (UL 94V-0)  
SOLDER PAD: COPPER ALLOY, TIN PLATING  
TERMINAL: COPPER ALLOY, GOLD PLATED

**SPECIFICATION**

CURRENT RATING: 0.5 AMP MAX  
DIELECTRIC WITHSTANDING: 300V AC FOR ONE MINUTE  
CONTACT RESISTANCE: 55m OHMS MAX  
INSULATION RESISTANCE: 500M OHMS MIN AT DC 500V  
OPERATION TEMPERATURE: -40°C~+85°C

**RoHS Compliant**

TOLERANCES ARE

**MORETHANALL**  
PCB CONNECTORS  
Cable ASSEMBLIES

煜倫股份有限公司

www.morethanall.com

DRAWING BY CY

CHECKED BY GENIUS

UNIT / mm SCALE 1 : 1

DATE

SIZE A4

X ± 0.40  
X ± 0.30  
.XX ± 0.20  
.XXX ± 0.10  
ANG ±

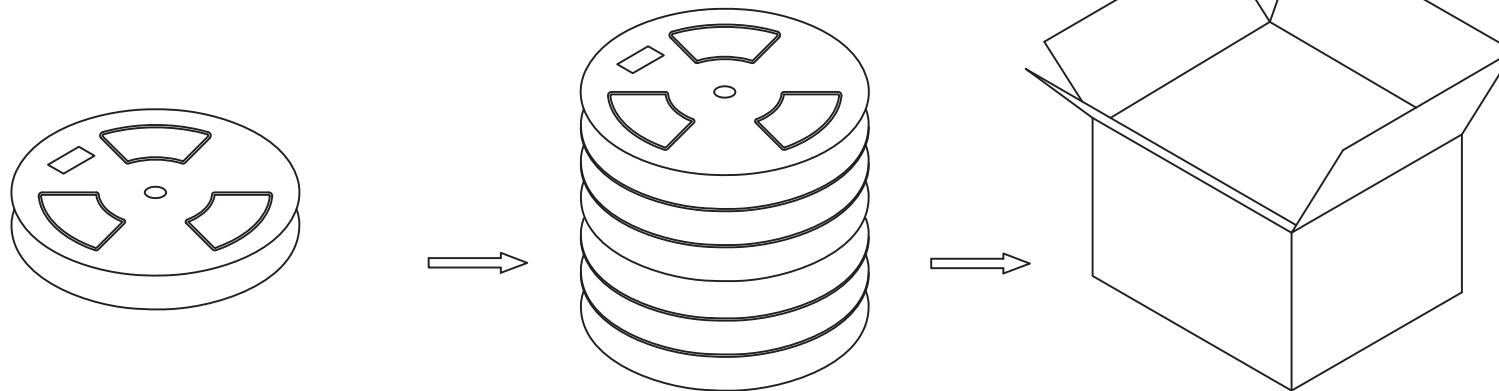
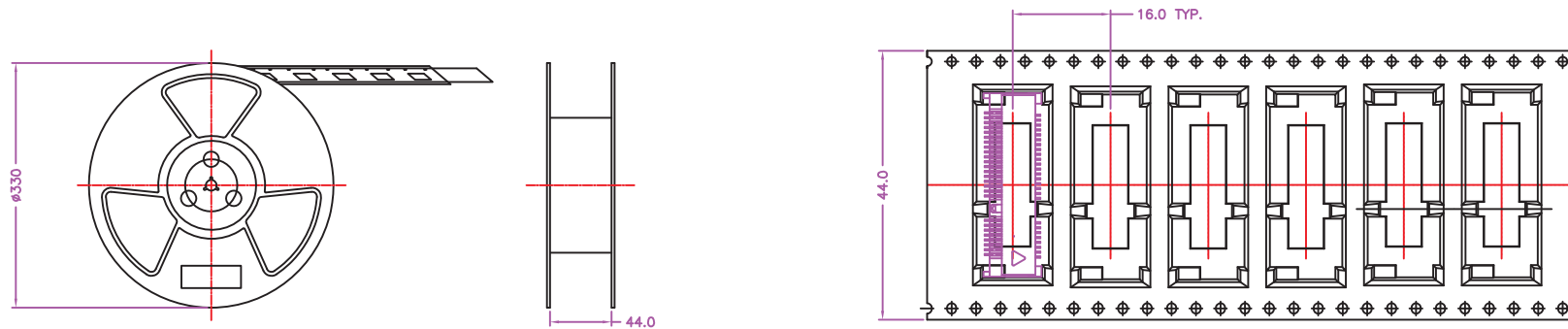
PJECTION

照片框

**ORDER INFORMATION**

MPC1-W56R-052-LF  
SERIES | | | LEADFREE  
| | | 52WAY  
| | | REEL  
| | | HIGH 5.6mm  
| | | 90°SMT

DESCRIPTION: MINI PCI EXPRESS, 0.80mm PITCH, PCB MOUNT, SMT, FEMALE, 1 KEY, WITH PAD HEIGHT=5.60mm



NOTE: 550PCS/ REEL, 3300PCS/ 6 REEL/ CARTON

**RoHS Compliant**

TOLERANCES ARE

**MORETHANALL**  
PCB CONNECTORS  
Cable ASSEMBLIES

DRAWING BY CY

X. ± 0.40

CHECKED BY GENIUS

.X ± 0.30

UNIT / mm

SCALE 1:1

.XX ± 0.20

DATE

.XXX ± 0.10

ANG ±

照片框

**ORDER INFORMATION**

**MPCI-W56R-052-LF**

SERIES	LEADFREE
	52WAY
	REEL
	HIGH 5.6mm
	90°SMT

煜倫股份有限公司

www.morethanall.com

SIZE A4

PJECTION

DESCRIPTION: MINI PCI EXPRESS, 0.80mm PITCH, PCB MOUNT, SMT, FEMALE, 1 KEY, WITH PAD HEIGHT=5.60mm