

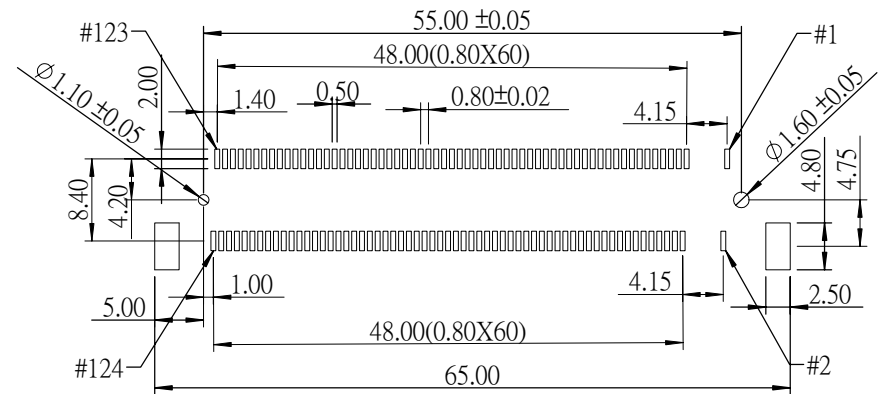
A-A (2.5 : 1)

NOTE:

1. SOLDERTAIL TO BE WITHIN 0.05 UPWARD AND 0.2 DOWNWARD FROM Z-DATUM PLACE, AND COPLANALITY OF SOLDERTAILS TO BE WITHIN 0.10. MEASUREMENT POINT IS SOLDERTAILS TIP.

2. INSPECTION SYMBOL:

- : MANUFACTURER INSPECTION
- ◆ : Q.C INSPECTION



PCB LAYOUT

RoHS Compliant

TOLERANCES ARE

**MORETHANALL**  
PCB CONNECTORS  
Cable ASSEMBLIES

煜倫股份有限公司

www.morethanall.com

DRAWING BY CY

CHECKED BY GENIUS

UNIT / mm SCALE 1 : 1

DATE

SIZE A4

X. ± 0.30

.X ± 0.20

.XX ± 0.10

.XXX ± 0.05

ANG ±

PJECTION

照片框

ORDER INFORMATION

MPCI-W56-124-LF

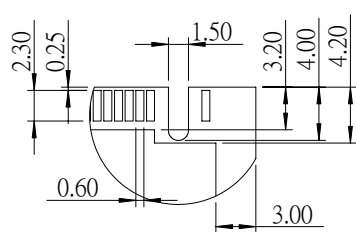
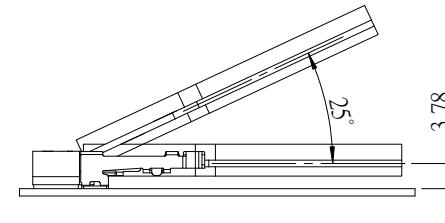
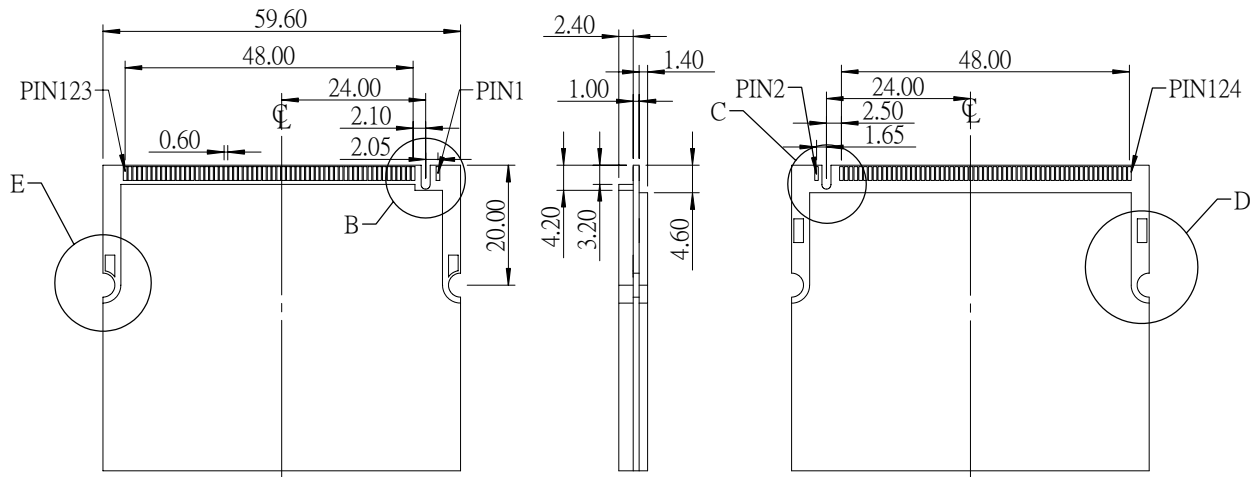
SERIES LEADFREE

124 WAY

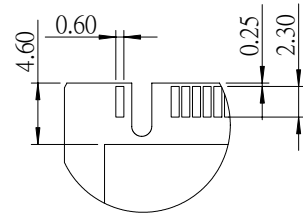
HIGH 5.6mm

90°SMT

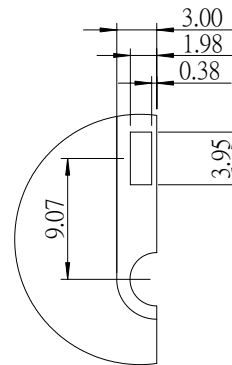
DESCRIPTION: MINI PCI ASSEMBLY



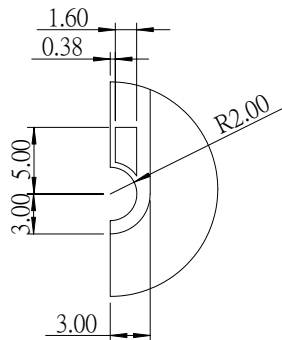
B (2:1)



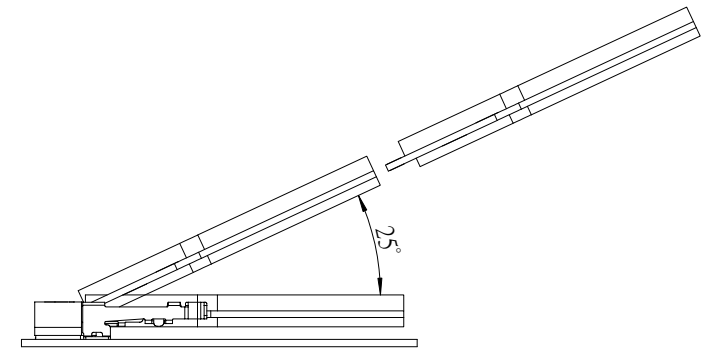
C (2:1)



D (2:1)



E (2:1)



RoHS Compliant

TOLERANCES ARE

**MORETHANALL**  
PCB CONNECTORS  
Cable ASSEMBLIES

煜倫股份有限公司

www.morethanall.com

DRAWING BY CY

CHECKED BY GENIUS

UNIT / mm

SCALE 1:1

DATE

SIZE A4

X ± 0.30

.X ± 0.20

.XX ± 0.10

.XXX ± 0.05

ANG ±

PJECTION

照片框

ORDER INFORMATION

MPCI-W56-124-LF

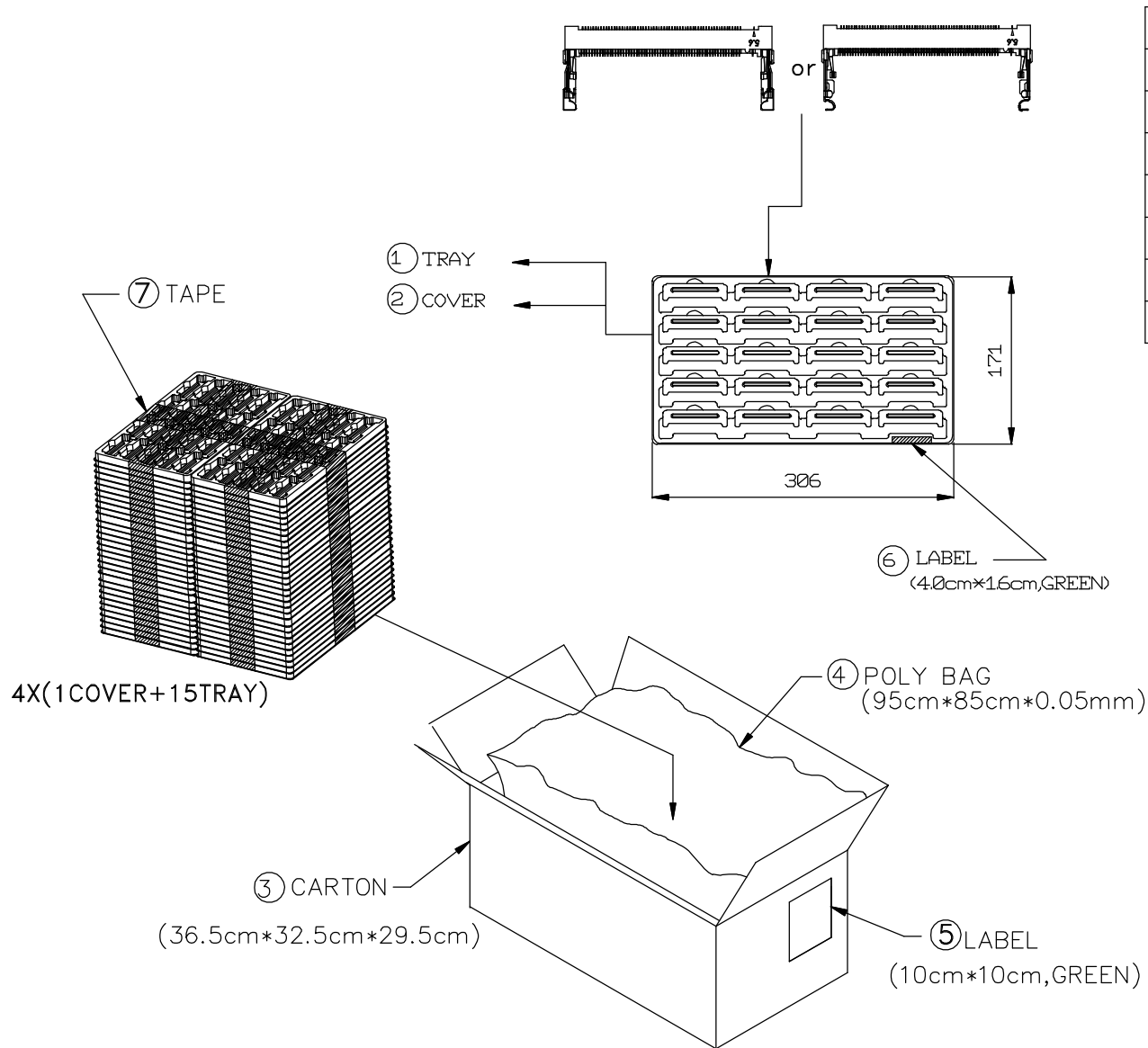
SERIES | LEADFREE

124 WAY

HIGH 5.6mm

90°SMT

DESCRIPTION: MINI PCI ASSEMBLY



	MATERIAL	P/N	REMARKS
1	TRAY	TRAY	60 TRAY X 20PCS
2	COVER	TRAY	4X(1COVER+15TRAY)
3	CARTON	CTN-C100K	CARTON/60 TRAYS/1200PCS
4	POLY BAG	P-0001	1 POLY BAG/CARTON
5	LABEL (for RoHS)	CTP-00002	1 LABEL/CARTON
6	LABEL (for RoHS)	CTB-00002	1 LABEL/TRAY
7	TAPE		

RoHS Compliant

TOLERANCES ARE

**MORETHANALL**  
PCB CONNECTORS  
Cable ASSEMBLIES

DRAWING BY CY

X. ± 0.30

CHECKED BY GENIUS

.X ± 0.20

UNIT / mm

SCALE 1 : 1

.XX ± 0.10

.XXX ± 0.05

DATE

ANG ±

SIZE A4

PJECTION

照片框

ORDER INFORMATION

MPCI-W56-124-LF

SERIES

LEADFREE

124 WAY

HIGH 5.6mm

90°SMT

煜倫股份有限公司

www.morethanall.com

DESCRIPTION: MINI PCI ASSEMBLY