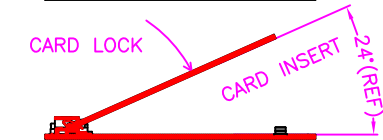
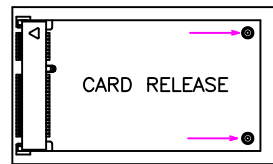
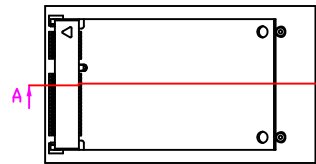
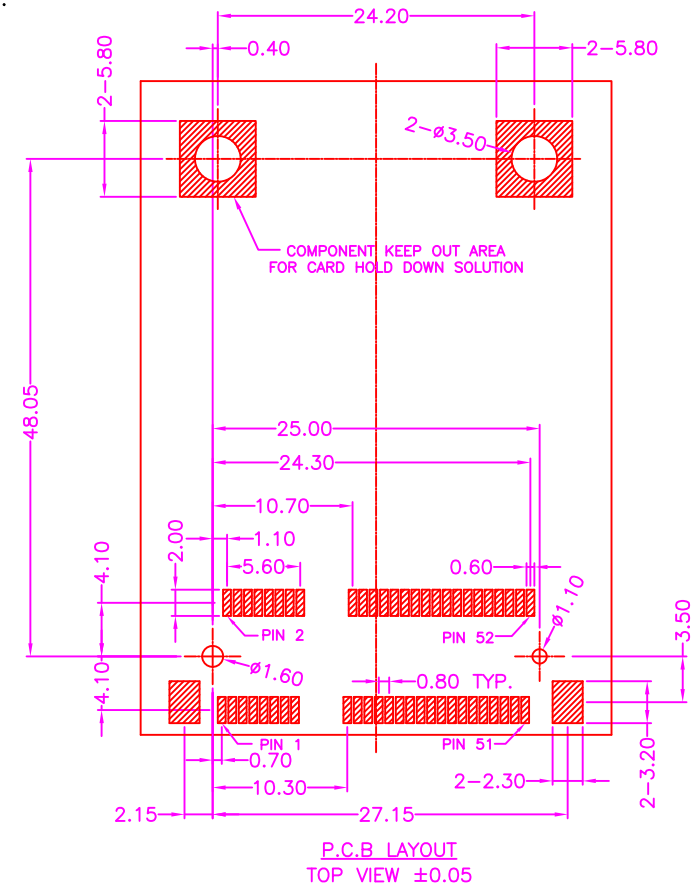
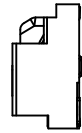
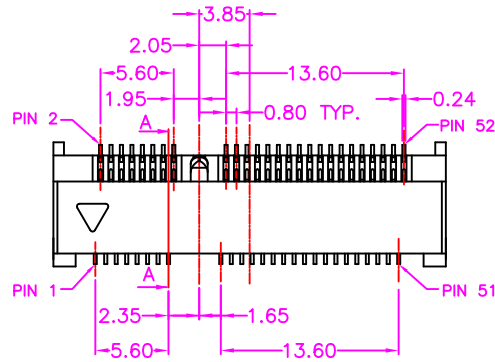
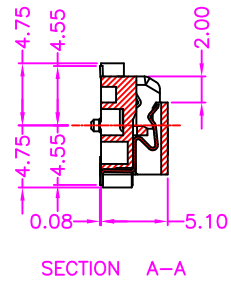


INFORMATION

COMPATIBLE COPPER TUBE DRAWING NO:
94CEFT-001

COMPATIBLE SCREW DRAWING NO:
94CEFT-003



SECTION A-A

P.C.B LAYOUT
TOP VIEW ±0.05

MATERIALS

HOUSING: LCP (UL 94V-0)
SOLDER PAD: COPPER ALLOY, TIN PLATING
TERMINAL: COPPER ALLOY, GOLD PLATED

SPECIFICATION

CURRENT RATING: 0.5 AMP MAX
DIELECTRIC WITHSTANDING: 300V AC FOR ONE MINUTE
CONTACT RESISTANCE: 55m OHMS MAX
INSULATION RESISTANCE: 500M OHMS MIN AT DC 500V
OPERATION TEMPERATURE: -40°C~+85°C

RoHS Compliant

TOLERANCES ARE



煜倫股份有限公司

www.morethanall.com

DRAWING BY CY

CHECKED BY GENIUS

UNIT / mm

SCALE 1 : 1

DATE

SIZE A4

P PROJECTION

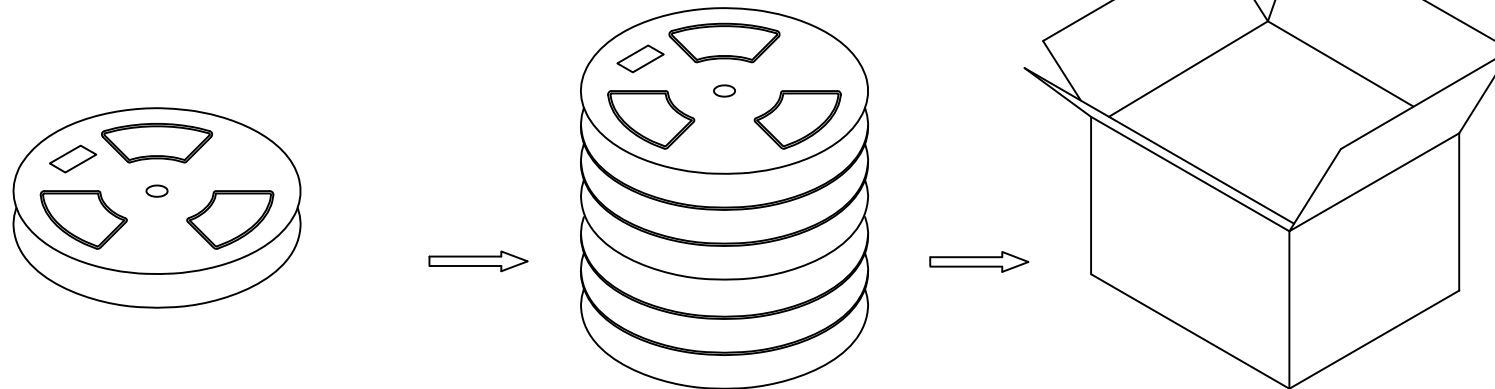
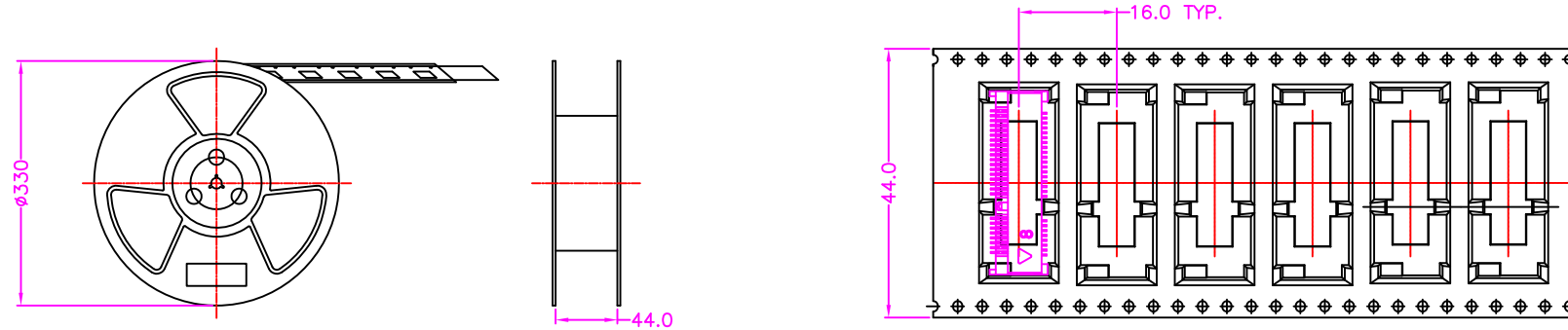
X, ±
.X ± 0.30
.XX ± 0.20
.XXX ± 0.10
ANG ± 5°

照片框

ORDER INFORMATION

MPCI-W52R-052-LF
SERIES | LEADFREE
52 WAY
REEL
HIGH 5.2mm
90°SMT

DESCRIPTION: MINI PCI EXPRESS, 0.80mm PITCH, PCB MOUNT, SMT, FEMALE, 1 KEY, WITH PAD, HEIGHT=5.20mm



NOTE: 600PCS/ REEL, 3600PCS/ 6 REEL/ CARTON

RoHS Compliant

TOLERANCES ARE

MORETHANALL
PCB CONNECTORS
Cable ASSEMBLIES

DRAWING BY CY

X, ±

CHECKED BY GENIUS

.X ± 0.30

UNIT / mm

SCALE 1 : 1

.XX ± 0.20

DATE

.XXX ± 0.10

ANG ± 5°

照片框

ORDER INFORMATION

MPCI-W52R-052-LF

SERIES

LEADFREE

52 WAY

REEL

HIGH 5.2mm

90°SMT

煜倫股份有限公司

www.morethanall.com

SIZE A4

PJECTION

DESCRIPTION: MINI PCI EXPRESS, 0.80mm PITCH, PCB MOUNT, SMT, FEMALE, 1 KEY, WITH PAD, HEIGHT=5.20mm