

RECOMMEND LAYOUT (TOP VIEW)

RoHS Compliant

TOLERANCES ARE

**MORETHANALL**  
PCB CONNECTORS  
Cable ASSEMBLIES

DRAWING BY CY  
CHECKED BY GENIUS  
UNIT / mm SCALE 1 : 1  
DATE

X ±  
.X ± 0.50  
.XX ± 0.25  
.XXX ± 0.12  
ANG ±

照片框

ORDER INFORMATION

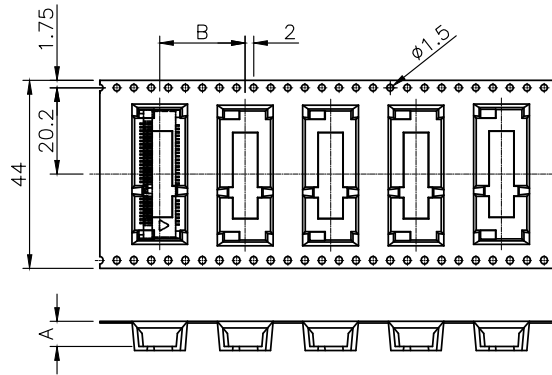
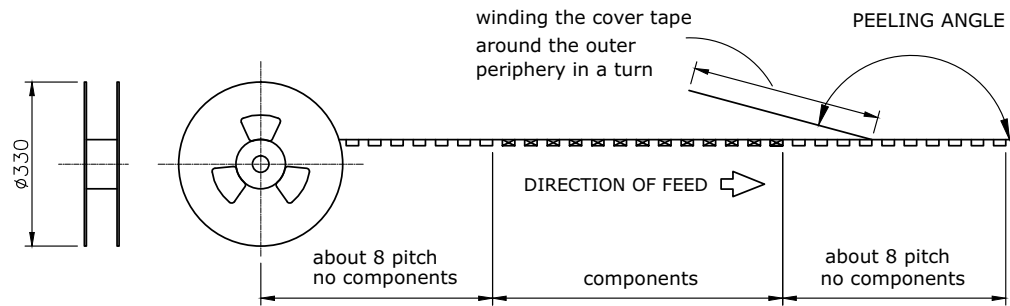
MPCI-W40R-052-LF  
SERIES REEL LEADFREE  
52 WAY  
HIGH 4.0mm  
90°SMT

煜倫股份有限公司

www.morethanall.com

SIZE A4 PROJECTION

DESCRIPTION: Mini PCI Express Socket H:4.0mm



Dimension table:

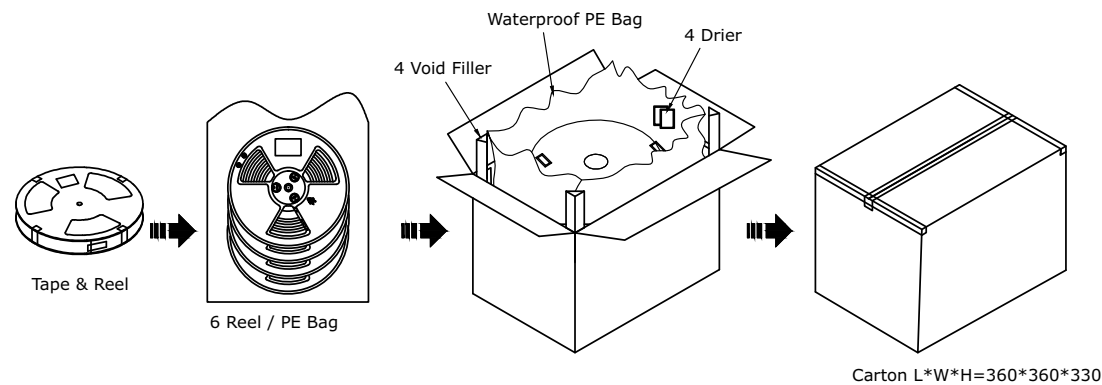
P/N	DIM. A	DIM. B
MPCI-W40R-052	4.30	16.00

## PACKAGING SPECIFICATION:

1. MATERIAL
  - 1.1 Embossed Carrier Tape: PS Black
  - 1.2 Top Cover Tape: PET  
20-80g(Peel Speed 300mm/Minute)
  - 1.3 Taping Reel: Plastic

2. PACKING
  - 2.1 Quantity:

P/N	PCS/ REEL	PCS/ CARTON
MPCI-W40R-052	700	4200



Carton L\*W\*H=360\*360\*330

RoHS Compliant

TOLERANCES ARE

**MORETHANALL**  
PCB CONNECTORS  
Cable ASSEMBLIES

DRAWING BY CY

CHECKED BY GENIUS

UNIT / mm SCALE 1 : 1

DATE

SIZE A4

X, ±  
.X ± 0.50  
.XX ± 0.25  
.XXX ± 0.12  
ANG ±

PPOJECTION

照片框

ORDER INFORMATION

MPCI-W40R-052-LF  
SERIES | | LEADFREE  
| | 52 WAY  
| REEL  
HIGH 4.0mm  
90°SMT

煜倫股份有限公司

www.morethanall.com

DESCRIPTION: Mini PCI Express Socket Packaging drawing