

NOTES:

1. MATERIAL:  
1-1 HOUSING: HIGH TEMPERATURE THERMO PLASTIC  
UL94V-0 RATED, COLOR SEE SEE P/N
- 1-2 CONTACT: COPPER ALLOY.
- 1-3 SOLDER TAB & LATCH: COPPER ALLOY
2. CONTACT FINISH:  
2-1 SPOTTED GOLD PLATING ON CONTACT AREA, SEE P/N
- 2-2 SPOTTED GOLD FLASH ON SOLDERING AREA
- 2-3 ALL OVER 40u" MIN. NICKEL UNDER PLATED
3. GENERAL TOLERANCE: ±0.3

MPCI-W155-124-LF  
LEADFREE

RoHS Compliant

**MORETHANALL**  
CONNECTORS  
ASSEMBLIES

PART NO. MPCI-W155-124

DWG NO. MPCI-W155-124

FILE NO.

CHECKED BY CY

DRAWING BY

TOLERANCES ARE

X. ±  
.X ±  
.XX ±  
.XXX ±  
ANG

DESCRIPTION:

Mini PCI Connector ,0.8mm Pitch  
124 Pin 15.5mm Height

AREA

REVISIONS

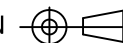
DATE

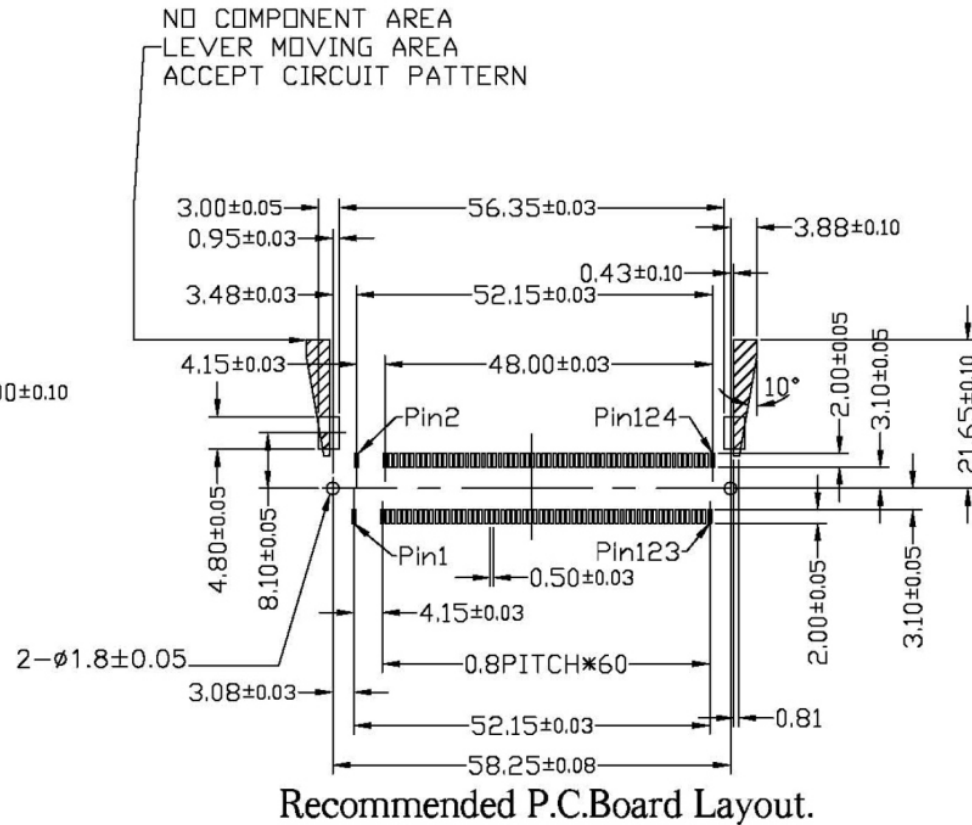
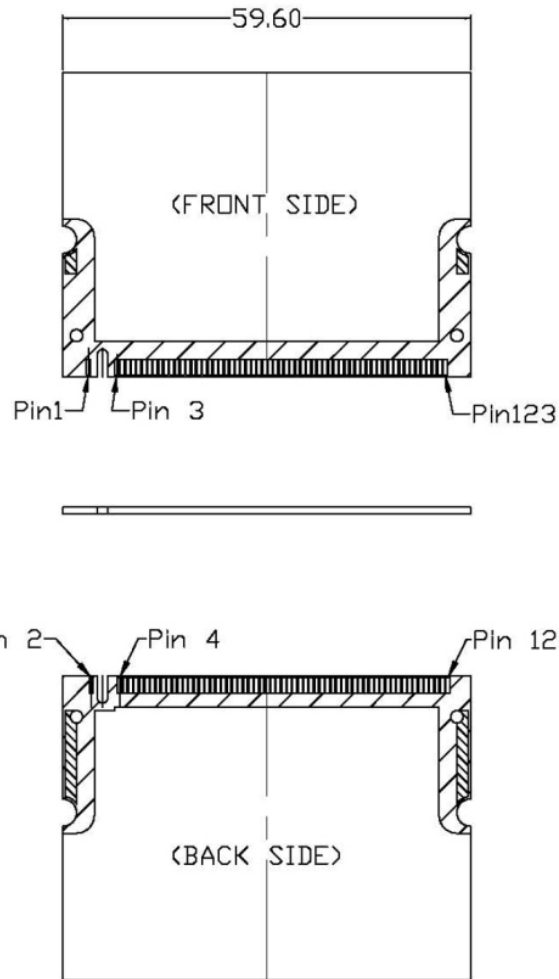
煜倫股份有限公司

UNIT / mm

SCALE 1:1

PROJECTION





**Recommended Module Configuration.**  
(FOR Mini PCI H: 5.2, 5.6, 6.0, 8.0, 9.2, 15.5mm )

**MORETHANALL**  
CONNECTORS  
ASSEMBLIES

PART NO. MPC1-W155-124  
DWG NO. MPC1-W155-124  
FILE NO.  
UNIT / mm    SCALE 1:1

CHECKED BY CY  
DRAWING BY  
PROJECTION

TOLERANCES ARE  
X ±  
.X ±  
.XX ±  
.XXX ±  
ANG

DESCRIPTION: Mini PCI Connector ,0.8mm Pitch  
124 Pin 15.5mm Height

AREA	REVISIONS	DATE

煜倫股份有限公司