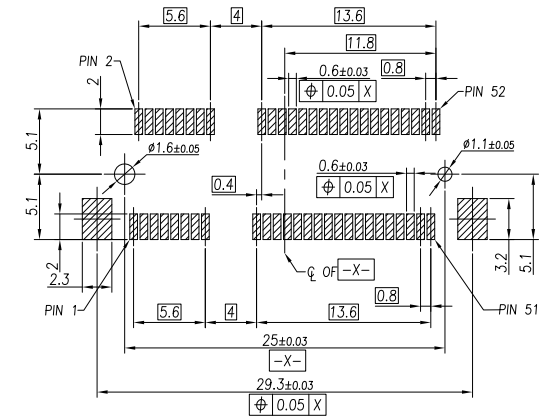
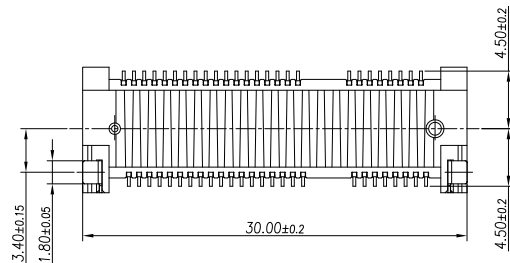
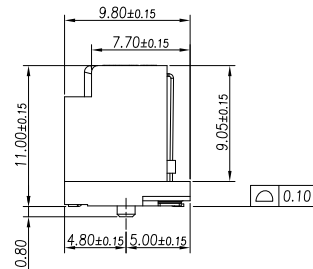
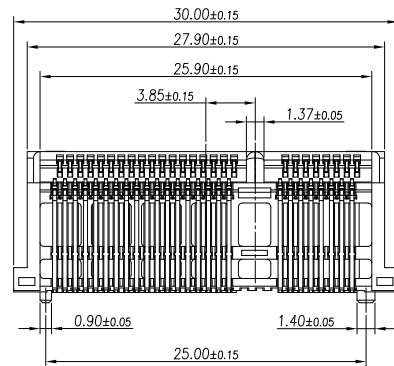


MATING: ① INSERTING(25°) → ② ROTATING → ③ FIXED
 UNMATING: ④ UNFIXED → ⑤ ROTATING → ⑥ WITHDRAWING



RECOMMEND PCB LAYOUT(MINIMUM THICKNESS OF THE PCB IS 0.8mm)
 (OTHER TOLERANCES ARE NOT MARKED:±0.03)



NOTES:

1.MATERIAL:

HOUSING: THERMOPLASTIC , BLACK COLOR ,
 FLAME RESISTANCE UL94-V0.

CONTACTS: COPPER ALLOY, THICKNESS 0.20mm.

SOLDER PEGS: COPPER ALLOY, THICKNESS 0.2mm.

2.MSL LEVEL:

MSL(MOISTURE SENSITIVITY LEVELS)=1

3.FINISHED:

CONTACTS: GOLD PLATING ON CONTACT AREA AND

50~120u" MATTE TIN PLATING ON SOLDER AREA.

30~120u" NICKEL UNDER-PLATING OVER ALL.

SOLDER PEGS: 50~120u" MATTE TIN PLATING OVER 50~120u"

NICKEL UNDER-PLATING OVER ALL.

RoHS Compliant

TOLERANCES ARE

MORETHANALL
 PCB CONNECTORS
 Cable ASSEMBLIES

DRAWING BY CY

X, ±

CHECKED BY GENIUS

.X ± 0.35

UNIT / mm

SCALE 1 : 1

.XX ± 0.25

DATE

.XXX ±

ANG ±

SIZE A4

PJECTION

照片框

ORDER INFORMATION

MPCI-W110-052-LF

SERIES

LEADFREE

52 WAY

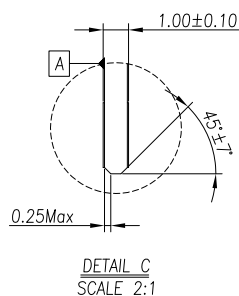
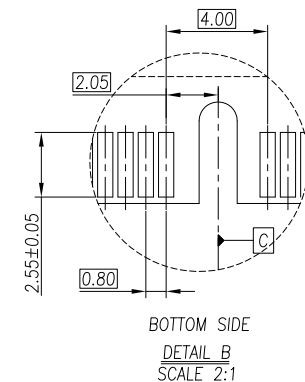
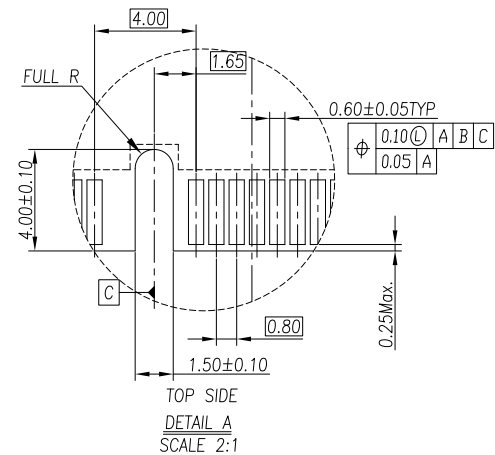
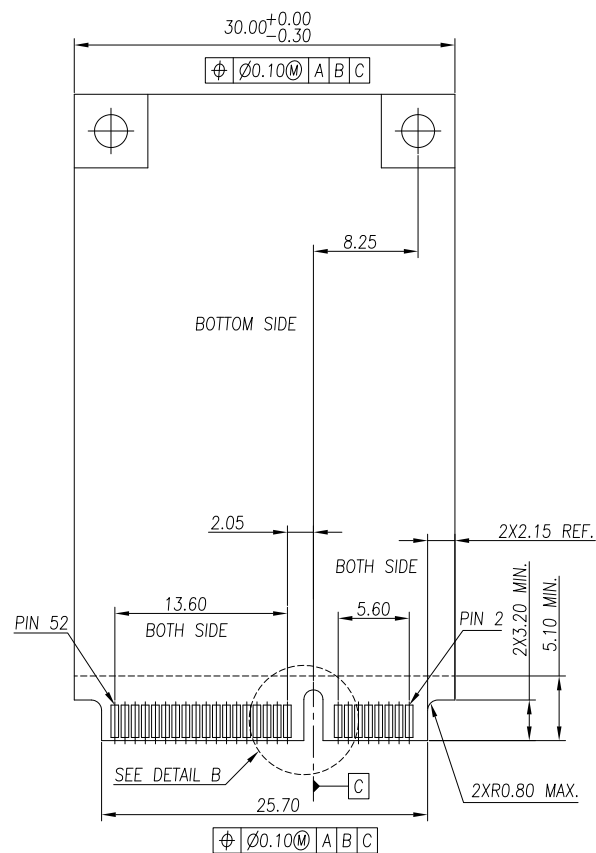
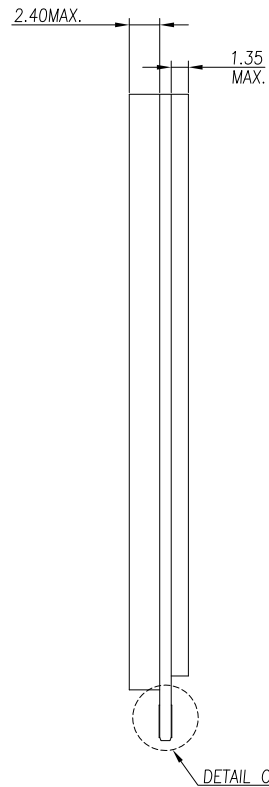
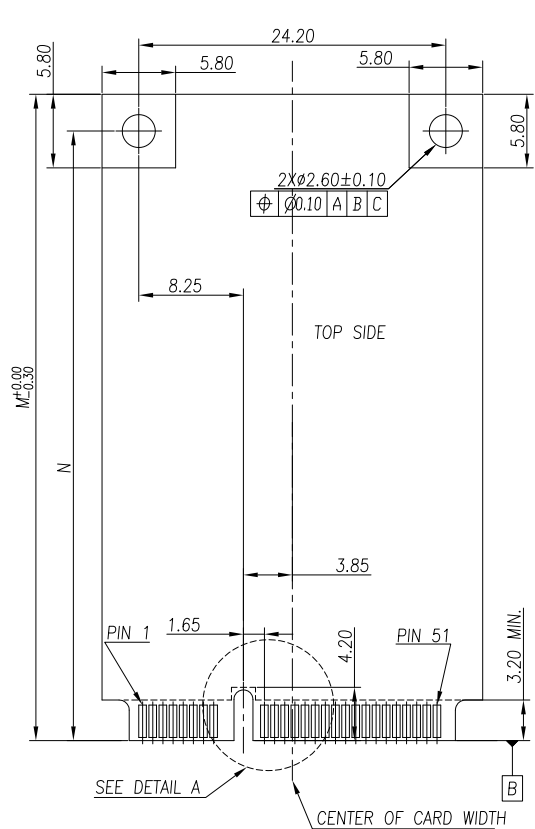
HIGH 11.0mm

90°SMT

煜倫股份有限公司

www.morethanall.com

DESCRIPTION: MINI PCI EXPRESS 11.0H



	M	N	P
FULL-MINI CARD	50.95	48.05	48.05
HALF-MINI CARD	26.8	23.9	23.9

RoHS Compliant

TOLERANCES ARE

MORETHANALL
PCB CONNECTORS
Cable ASSEMBLIES

DRAWING BY CY
CHECKED BY GENIUS
UNIT / mm SCALE 1 : 1
DATE

X. ±
.X ± 0.35
.XX ± 0.25
.XXX ±
ANG ±

照片框

ORDER INFORMATION

MPCI-W110-052-LF
SERIES LEADFREE
52 WAY
HIGH 11.0mm
90°SMT

煜倫股份有限公司

www.morethanall.com

SIZE A4

PJECTION

DESCRIPTION: MINI PCI EXPRESS 11.0H