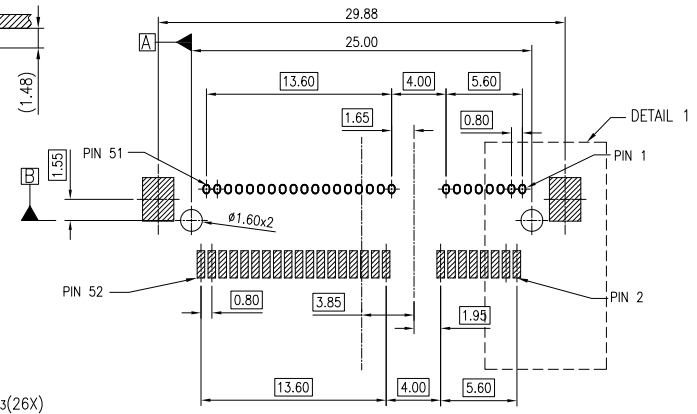
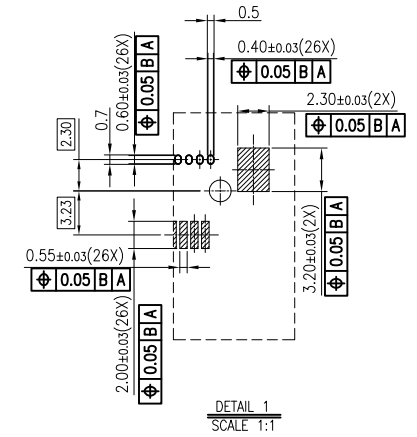
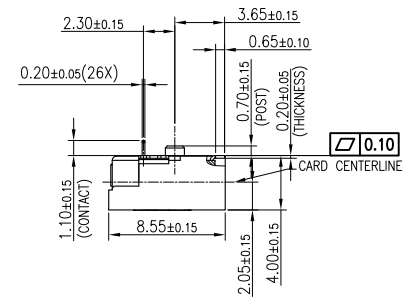
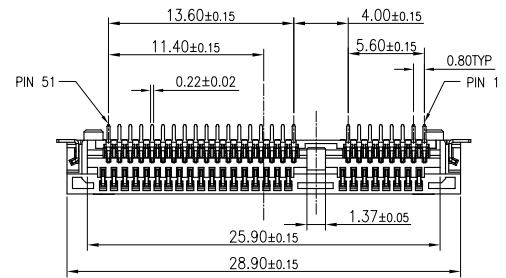


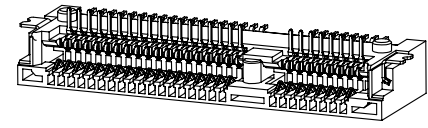
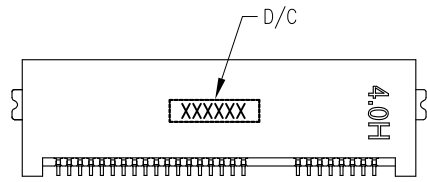
MATING: ① INSERTING(25°) → ② ROTATING → ③ FIXED  
 UNMATING: ④ UNFIXED → ⑤ ROTATING → ⑥ WITHDRAWING



RECOMMEND PCB LAYOUT(MINIMUM THICKNESS OF THE PCB IS 0.8mm)  
 PCB LAYOUT GENERIC TOLERANCE:±0.03



- NOTES:
- MATERIAL:  
 HOUSING: THERMOPLASTIC , BLACK COLOR ,  
 FLAME RESISTANCE UL94-V0.  
 CONTACTS: COPPER ALLOY, THICKNESS 0.20mm.  
 SOLDER PEGS: COPPER ALLOY, THICKNESS 0.2mm.
  - MSL LEVEL:  
 MSL(MOISTURE SENSITIVITY LEVELS)=1
  - FINISHED:  
 CONTACTS: GOLD PLATING ON CONTACT AREA AND  
 50~120u" MATTE TIN PLATING ON SOLDER AREA.  
 30~120u" NICKEL UNDERPLATING OVER ALL.  
 SOLDER PEGS: 50~120u" MATTE TIN PLATING OVER ALL  
 50~120u" NICKEL UNDERPLATING OVER ALL.



RoHS Compliant

TOLERANCES ARE

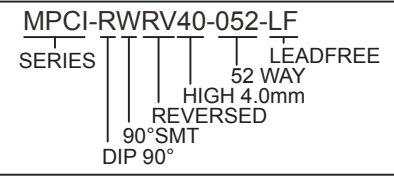
**MORETHANALL**  
 PCB CONNECTORS  
 Cable ASSEMBLIES

DRAWING BY CY  
 CHECKED BY GENIUS  
 UNIT / mm SCALE 1 : 1  
 DATE  
 SIZE A4

X, ±  
 .X ± 0.35  
 .XX ± 0.25  
 .XXX ±  
 ANG ±

照片框

ORDER INFORMATION

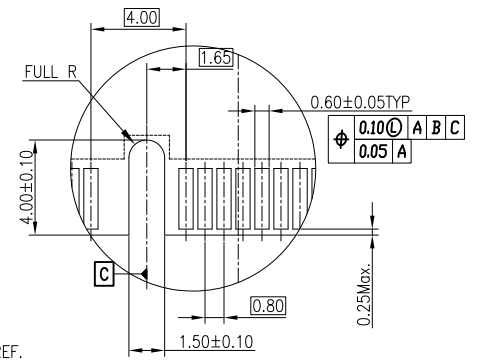
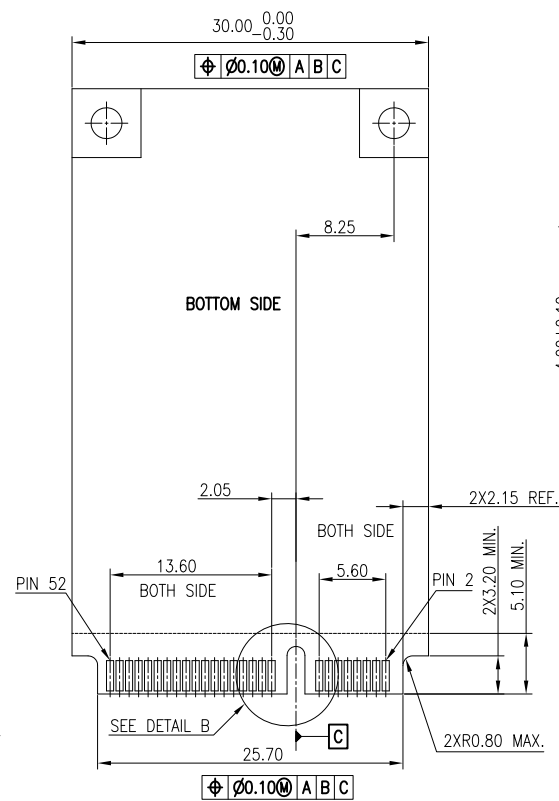
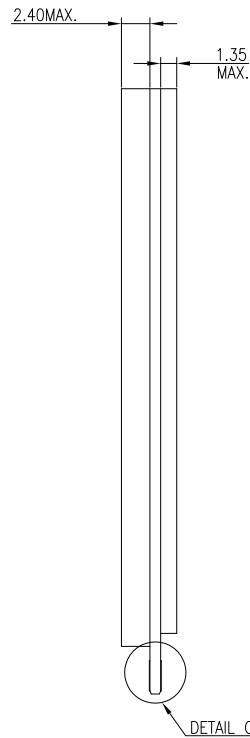
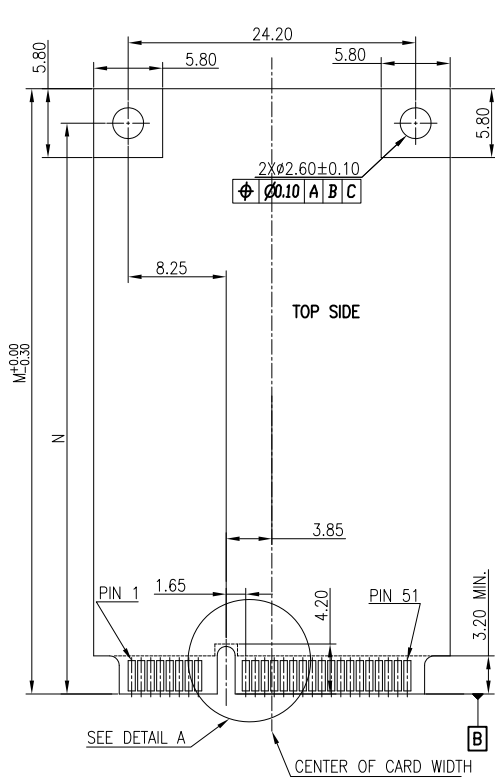


DESCRIPTION: MINI PCIe RVS 52PIN 4.0H

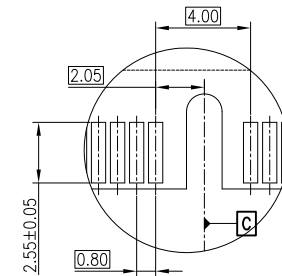
煜倫股份有限公司

www.morethanall.com

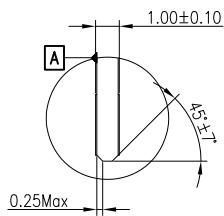
PJECTION



TOP SIDE  
DETAIL A  
SCALE 2:1



BOTTOM SIDE  
DETAIL B  
SCALE 2:1



DETAIL C  
SCALE 2:1

	M	N	P
FULL-MINI CARD	50.95	48.05	49.70
HALF-MINI CARD	26.8	23.9	25.55

RoHS Compliant

TOLERANCES ARE

**MORETHANALL**  
PCB CONNECTORS  
Cable ASSEMBLIES

DRAWING BY CY

X, ±

CHECKED BY GENIUS

.X ± 0.35

UNIT / mm

SCALE 1:1

.XX ± 0.25

DATE

.XXX ±

ANG ±

SIZE A4

PJECTION

照片框

ORDER INFORMATION

MPCI-RWRV40-052-LF

SERIES

LEADFREE

52 WAY

HIGH 4.0mm

REVERSED

90°SMT

DIP 90°

煜倫股份有限公司

www.morethanall.com

DESCRIPTION: MINI PCIe RVS 52PIN 4.0H