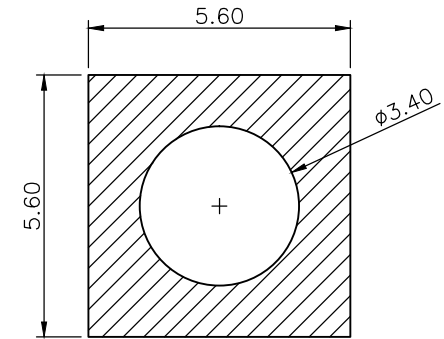
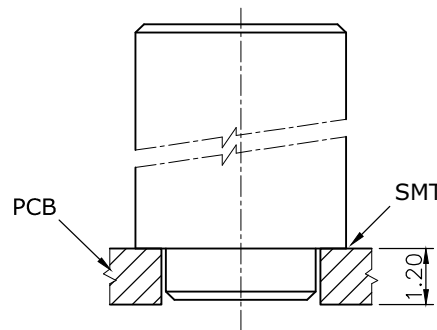
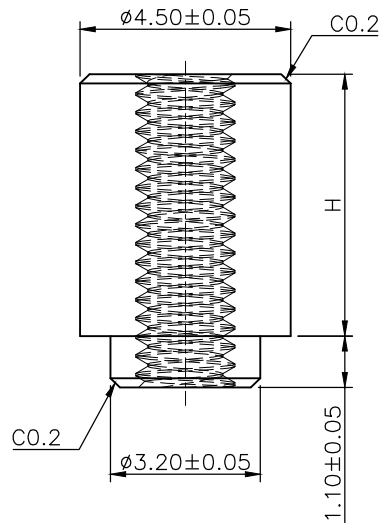


NOTE:
 1.MATERIAL: Copper Alloy
 2.Plating: Sn.



PCB Recommend Layout Pattern

NUT P/N		Mini PCI E P/N
MPCI-LS16CR-052	1.6	MPCI-W40-052
MPCI-LS32CR-052	3.2	MPCI-W56-052
MPCI-LS56CR-052	5.6	MPCI-W80-052
MPCI-LS68CR-052	6.8	MPCI-W92-052

RoHS Compliant

TOLERANCES ARE

MORETHANALL
 PCB CONNECTORS
 Cable ASSEMBLIES

煜倫股份有限公司

www.morethanall.com

DRAWING BY CY

CHECKED BY GENIUS

UNIT / mm

SCALE 1 : 1

DATE

SIZE A4

X, ±
 .X ± 0.30
 .XX ± 0.25
 .XXX ± 0.20
 ANG ± 5°

PPOJECTION

照片框

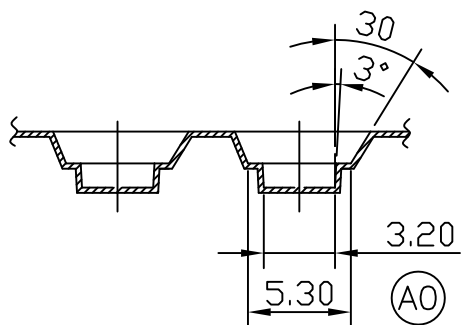
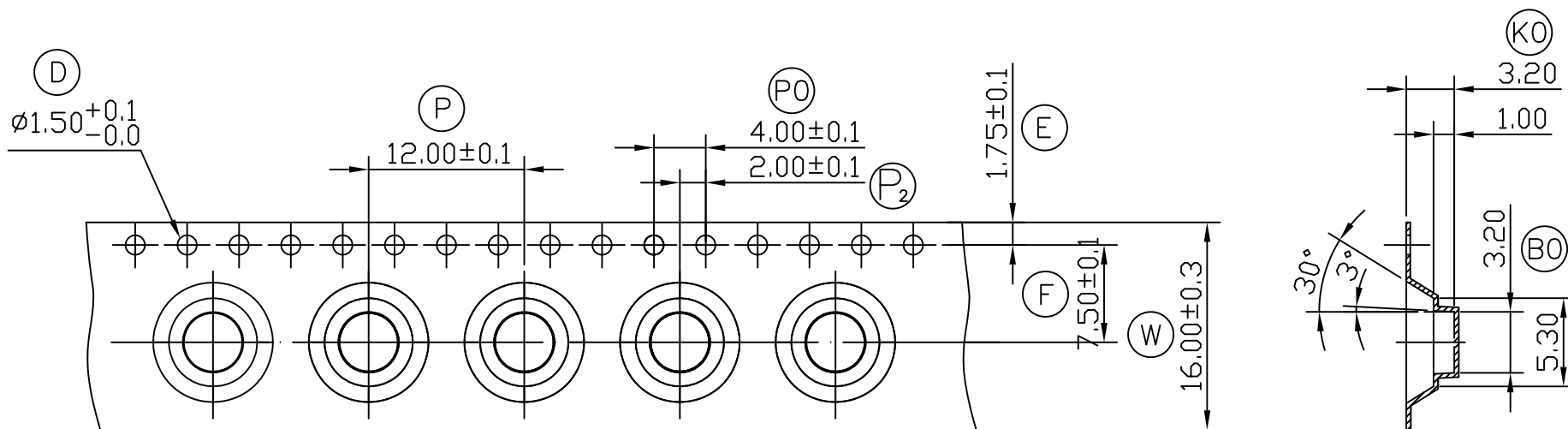
ORDER INFORMATION

MPCI-LSxxCR-052-LF

SERIES | REEL | MYLAR | LATCH SCREW | 52 WAY | LEADFREE

40:4.0mm HIGH
 92:9.2mm HIGH

DESCRIPTION: Mini PCI Express Stand Off



1. Material: PS Black-Thickness : 0.35 ± 0.05 mm.
2. Packing Length Per 22" Reel : 68 Meters (1:3).
3. Component Load Per 13" Reel : 1800 Pcs.

ITEM	W	A ₀	B ₀	K ₀	K ₁	P	F	E	D	D ₁	P ₀	P ₂
DIM	16.0 ^{+0.30} _{-0.30}	3.20 ^{+0.20} _{-0.10}	3.20 ^{+0.20} _{-0.10}	3.20 ^{+0.20} _{-0.10}	0.00 ^{+0.20} _{-0.10}	8.00 ^{+0.10} _{-0.10}	7.50 ^{+0.10} _{-0.10}	1.75 ^{+0.10} _{-0.10}	1.50 ^{+0.10} _{-0.00}	0.00 ^{+0.25} _{-0.00}	4.00 ^{+0.10} _{-0.10}	2.00 ^{+0.10} _{-0.10}

RoHS Compliant

TOLERANCES ARE

MORETHANALL
PCB CONNECTORS
Cable ASSEMBLIES

DRAWING BY CY

X, ±

CHECKED BY GENIUS

.X ± 0.30

UNIT / mm

SCALE 1 : 1

.XX ± 0.25

.XXX ± 0.20

ANG ± 5°

DATE

SIZE A4

PJECTION

照片框

ORDER INFORMATION

MPCI-LSxxCR-052-LF

SERIES LEADFREE

REEL 52 WAY

LOCK SCREW MYLAR

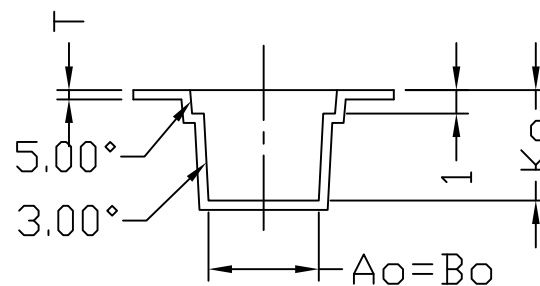
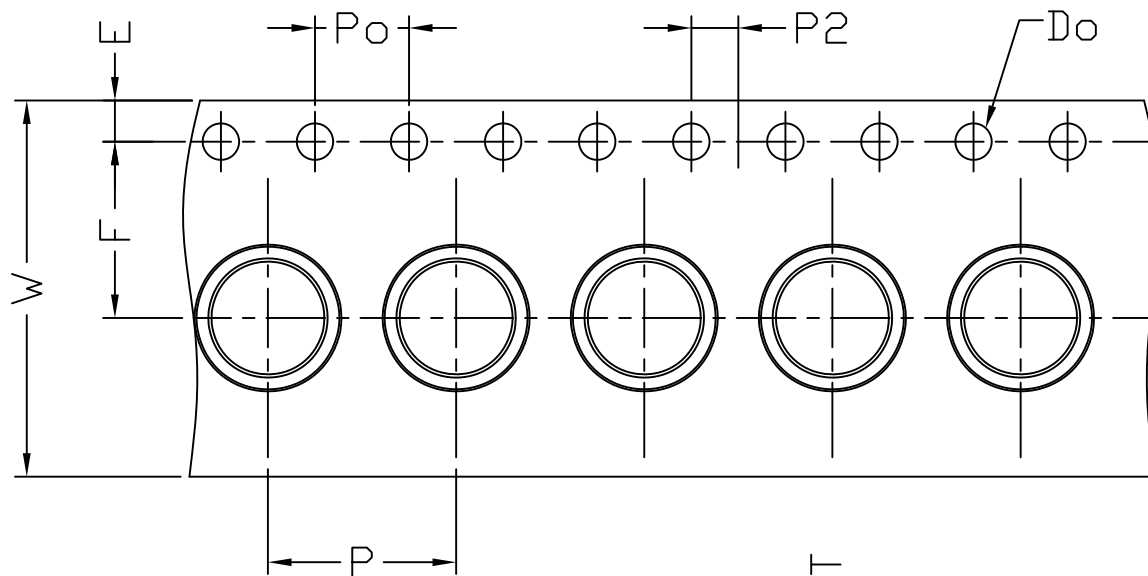
40:4.0mm HIGH

92:9.2mm HIGH

煜倫股份有限公司

www.morethanall.com

DESCRIPTION: Mini PCI Express Stand Off



ITEM	DIM
W	16.00 ^{+0.30} _{-0.30}
E	1.75 ^{+0.10} _{-0.10}
F	7.50 ^{+0.10} _{-0.10}
P	8.00 ^{+0.10} _{-0.10}
P ₀	4.00 ^{+0.10} _{-0.10}
P ₂	2.00 ^{+0.10} _{-0.10}
Do	ø1.50 ^{+0.10} _{-0.00}
T	0.40 ^{+0.05} _{-0.05}
A ₀	ø4.70 ^{+0.10} _{-0.10}
B ₀	ø4.70 ^{+0.10} _{-0.10}
K ₀	4.70 ^{+0.10} _{-0.10}

- 1.MATERIAL: Black Anti-static Polystyrene
- 2.Components loaded per 13" reel : 1700pcs

RoHS Compliant

TOLERANCES ARE

MORETHANALL
PCB CONNECTORS
Cable ASSEMBLIES
煜倫股份有限公司

DRAWING BY CY

CHECKED BY GENIUS

UNIT / mm SCALE 1 : 1

DATE

SIZE A4

X, ±
.X ± 0.30
.XX ± 0.25
.XXX ± 0.20
ANG ± 5°

PPOJECTION

照片框

ORDER INFORMATION

MPCI-LSxxCR-052-LF

SERIES LEADFREE

REEL 52 WAY

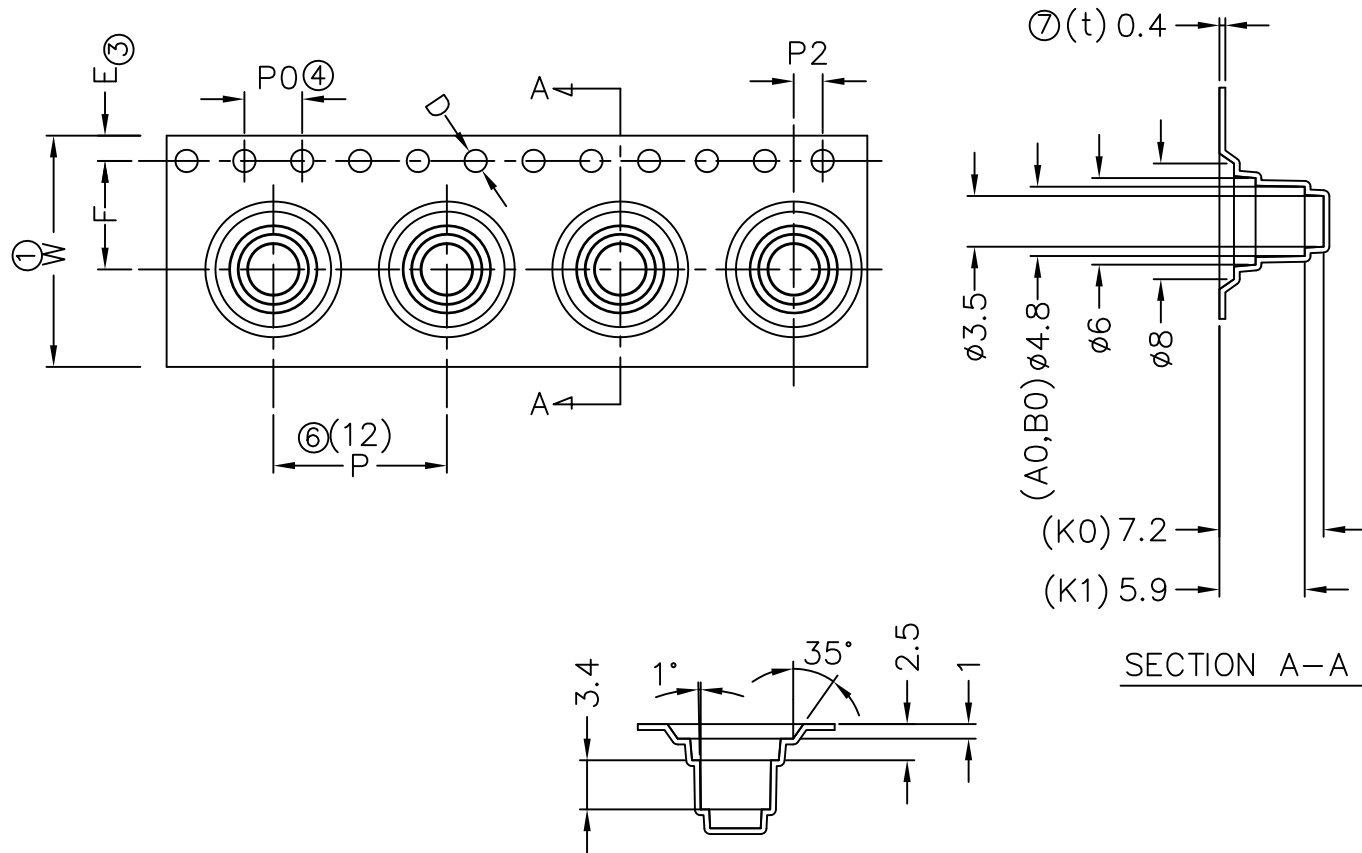
LOCK SCREW MYLAR

40:4.0mm HIGH

92:9.2mm HIGH

DESCRIPTION: Mini PCI Express Stand Off

www.morethanall.com



1. Material: Black Anti-static Polystyrene ,T=0.4mm
2. Component loaded per 13" reel : 800 pcs. (Core 4")

ITEM	W	A ₀	B ₀	K ₀	K ₁	P	F	E	D	D ₁	P ₀	P ₂
DIM	16.0 ^{+0.30} _{-0.30}	4.80 ^{+0.20} _{-0.10}	4.80 ^{+0.20} _{-0.10}	7.20 ^{+0.20} _{-0.10}	5.90 ^{+0.20} _{-0.10}	12.0 ^{+0.10} _{-0.10}	7.50 ^{+0.10} _{-0.10}	1.75 ^{+0.10} _{-0.10}	1.50 ^{+0.10} _{-0.00}	0.00 ^{+0.25} _{-0.00}	4.00 ^{+0.10} _{-0.10}	2.00 ^{+0.10} _{-0.10}

RoHS Compliant

TOLERANCES ARE

MORETHANALL
PCB CONNECTORS
Cable ASSEMBLIES

DRAWING BY CY

X, ±

CHECKED BY GENIUS

.X ± 0.30

UNIT / mm

SCALE 1 : 1

.XX ± 0.25

DATE

.XXX ± 0.20

ANG ± 5°

SIZE A4

PJECTION

照片框

ORDER INFORMATION

MPCI-LSxxCR-052-LF

SERIES LEADFREE

REEL 52 WAY

LOCK SCREW MYLAR

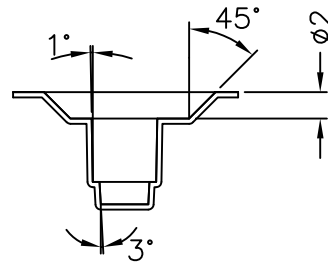
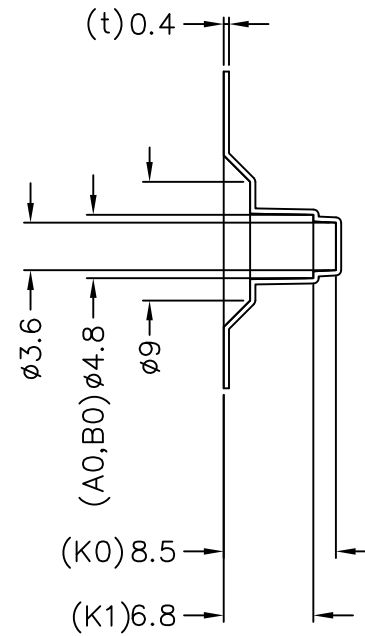
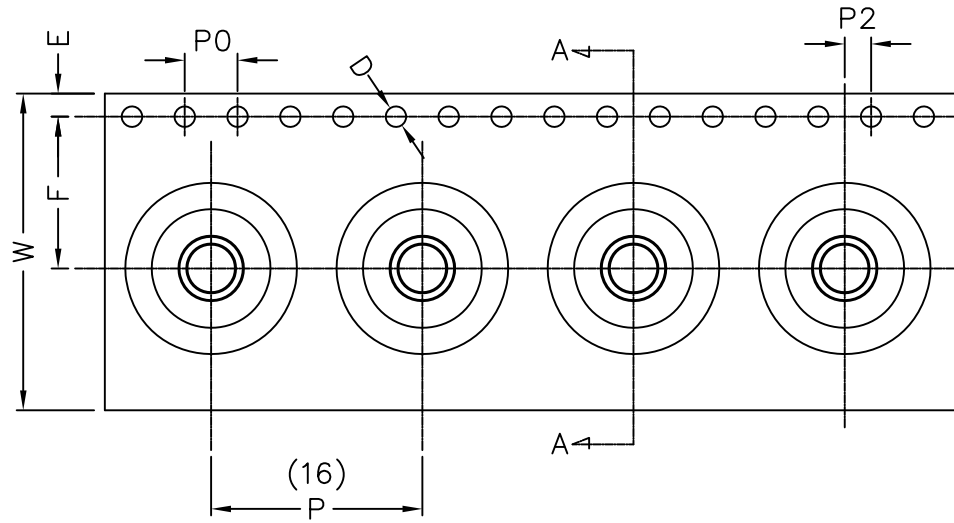
40:4.0mm HIGH

92:9.2mm HIGH

煜倫股份有限公司

www.morethanall.com

DESCRIPTION: Mini PCI Express Stand Off



- 1. Material: Black Anti-static Polystyrene ,T=0.4mm
- 2. Reel : 300 pcs.

ITEM	W	A ₀	B ₀	K ₀	K ₁	P	F	E	D	D ₁	P ₀	P ₂
DIM	24.0 ^{+0.30} _{-0.30}	4.80 ^{+0.20} _{-0.10}	4.80 ^{+0.20} _{-0.10}	8.50 ^{+0.20} _{-0.10}	6.80 ^{+0.20} _{-0.10}	16.0 ^{+0.10} _{-0.10}	11.50 ^{+0.10} _{-0.10}	1.75 ^{+0.10} _{-0.10}	1.50 ^{+0.10} _{-0.00}	0.00 ^{+0.25} _{-0.00}	4.00 ^{+0.10} _{-0.10}	2.00 ^{+0.10} _{-0.10}

RoHS Compliant

TOLERANCES ARE

MORETHANALL
PCB CONNECTORS
Cable ASSEMBLIES
煜倫股份有限公司
www.morethanall.com

DRAWING BY CY
CHECKED BY GENIUS
UNIT / mm SCALE 1 : 1
DATE
SIZE A4 PPROJECTION

X, ±
.X ± 0.30
.XX ± 0.25
.XXX ± 0.20
ANG ± 5°

照片框

ORDER INFORMATION

MPCI-LSxxCR-052-LF
SERIES | | | LEADFREE
| | | 52 WAY
REEL
MYLAR
LOCK SCREW 40:4.0mm HIGH
92:9.2mm HIGH

DESCRIPTION: Mini PCI Express Stand Off