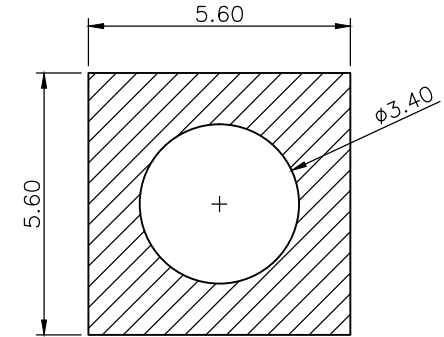
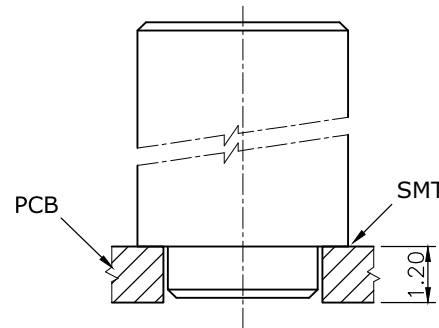
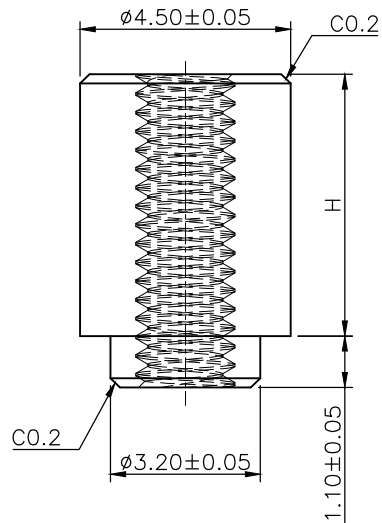


NOTE:  
 1.MATERIAL: Copper Alloy  
 2.Plating: Sn.



PCB Recommend Layout Pattern

NUT P/N		Mini PCI E P/N
MPCI-LS16C-052	1.6	MPCI-W40-052
MPCI-LS32C-052	3.2	MPCI-W56-052
MPCI-LS56C-052	5.6	MPCI-W80-052
MPCI-LS68C-052	6.8	MPCI-W92-052

RoHS Compliant

TOLERANCES ARE

**MORETHANALL**  
 PCB CONNECTORS  
 Cable ASSEMBLIES

煜倫股份有限公司

www.morethanall.com

DRAWING BY CY

CHECKED BY GENIUS

UNIT / mm SCALE 1 : 1

DATE

SIZE A4

X, ±  
 .X ± 0.30  
 .XX ± 0.25  
 .XXX ± 0.20  
 ANG ± 5°

PPOJECTION

照片框

ORDER INFORMATION

MPCI-LSxxC-052-LF

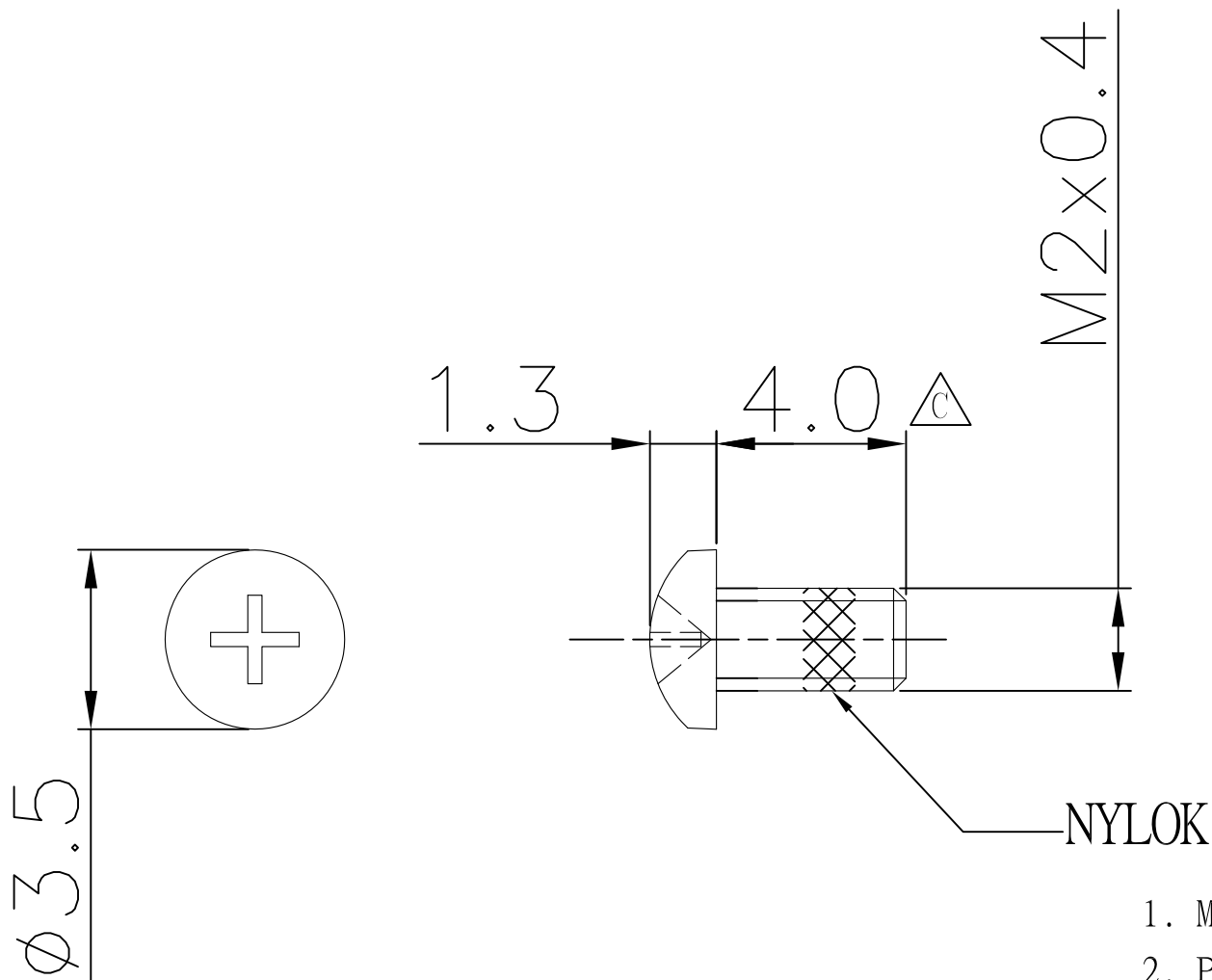
SERIES 52 WAY LEADFREE

MYLAR

40:4.0mm HIGH

LATCH SCREW 92:9.2mm HIGH

DESCRIPTION: Mini PCI Express Stand Off



1. MATERIAL: LOW CARBON STEEL C1018
2. PLATING: NICKEL
3.  $\triangle C$  TOLERANCE:  $+0/-0.3$

RoHS Compliant

TOLERANCES ARE

**MORETHANALL**  
PCB CONNECTORS  
Cable ASSEMBLIES

DRAWING BY CY

X, ±  
.X ± 0.30

CHECKED BY GENIUS

.XX ± 0.25

UNIT / mm

SCALE 1:1

.XXX ± 0.20

DATE

ANG ± 5°

煜倫股份有限公司

www.morethanall.com

SIZE A4

PPOJECTION



ORDER INFORMATION

MPCI-LSxxC-052-LF

SERIES

52 WAY

LEADFREE

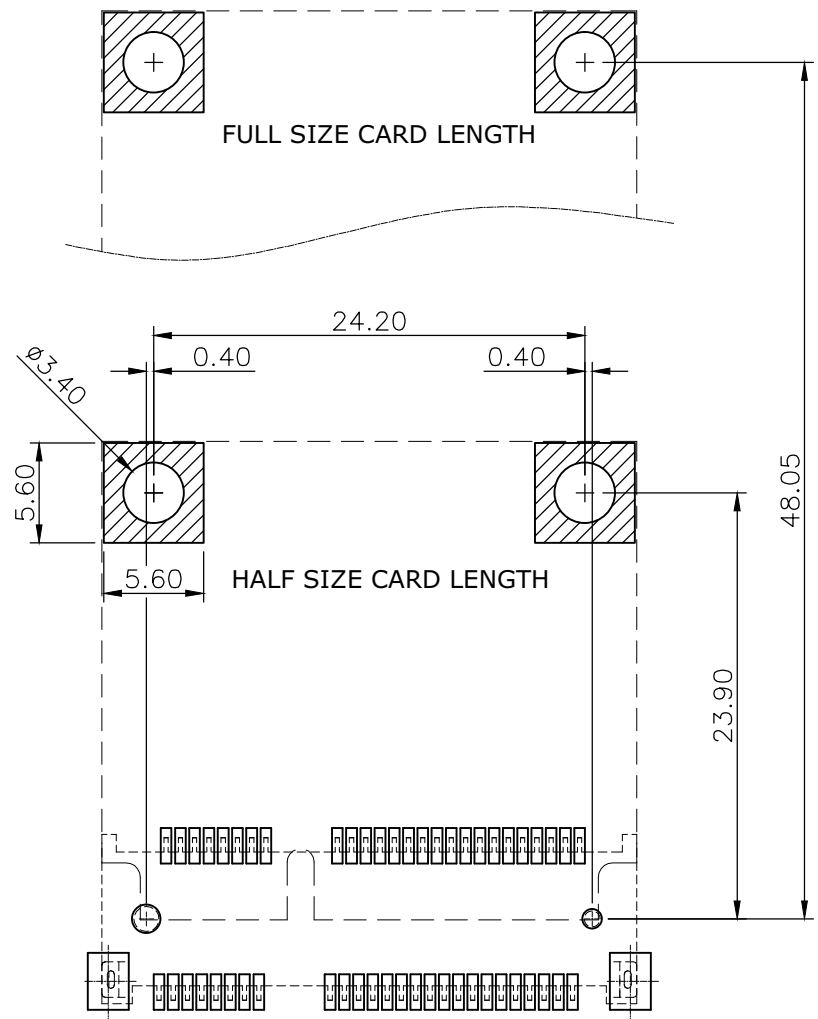
MYLAR

40:4.0mm HIGH

LATCH SCREW

92:9.2mm HIGH

DESCRIPTION: Mini PCI Express M2 Nylok Screw



RECOMMEND LAYOUT (TOP VIEW)

**RoHS Compliant**

TOLERANCES ARE

**MORETHANALL**  
PCB CONNECTORS  
Cable ASSEMBLIES

DRAWING BY CY

X, ±

CHECKED BY GENIUS

.X ± 0.30

UNIT / mm

SCALE 1 : 1

.XX ± 0.25

DATE

.XXX ± 0.20

ANG ± 5°

照片框

ORDER INFORMATION

MPCI-LSxxC-052-LF

SERIES | 52 WAY | LEADFREE  
MYLAR

40:4.0mm HIGH

LATCH SCREW | 92:9.2mm HIGH

煜倫股份有限公司

www.morethanall.com

SIZE A4

PJECTION

DESCRIPTION: Mini PCI Express Stand Off