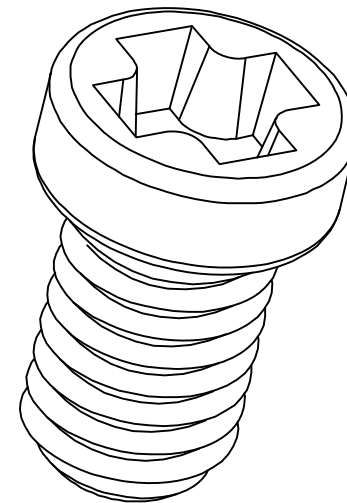


NYLOK SCREW

MATERIALS
LOW CARBON STEEL, NICKEL PLATED



RoHS Compliant

TOLERANCES ARE

MORETHANALL
PCB CONNECTORS
Cable ASSEMBLIES

煜倫股份有限公司

www.morethanall.com

DRAWING BY CY

CHECKED BY GENIUS

UNIT / mm

SCALE 1:1

DATE

SIZE A4

X. ± 0.40

.X ± 0.30

.XX ± 0.20

.XXX ± 0.10

ANG $\pm 1^\circ$

PPOJECTION

照片框

ORDER INFORMATION

MPCI-LSM-052-LF

SERIES	LEADFREE
METAL	52 WAY
LOCK SCREW	

DESCRIPTION: SCREW BY MINI PCI EXPRESS