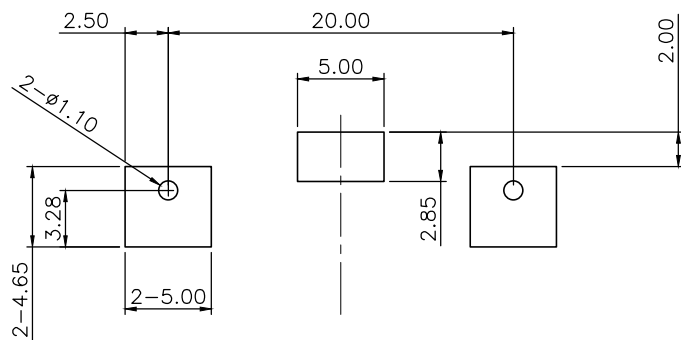


*SEE TABLE

DIMENSIONS TABLE

| A | B | C | P/N |
|-----|-----|-----|----------------|
| 1.5 | 2.6 | 5.0 | MPCI-LM40R-052 |
| 3.1 | 4.2 | 6.6 | MPCI-LM56R-052 |



RECOMMEND PCB LAYOUT

| NO. | PART NAME | DESCRIPTION |
|-----|-----------|----------------------------------|
| 2 | Holder | LCP, UL94V-0, BLACK |
| 1 | LATCH | SUS301 3/4H, Tin 80~120u" PLATED |

RoHS Compliant

TOLERANCES ARE

MORETHANALL
PCB CONNECTORS
Cable ASSEMBLIES

煜倫股份有限公司

www.morethanall.com

DRAWING BY CY

CHECKED BY GENIUS

UNIT / mm SCALE 1 : 1

DATE

SIZE A4

X. ± 0.30

.X ± 0.50

.XX ± 0.25

.XXX ± 0.12

ANG ±

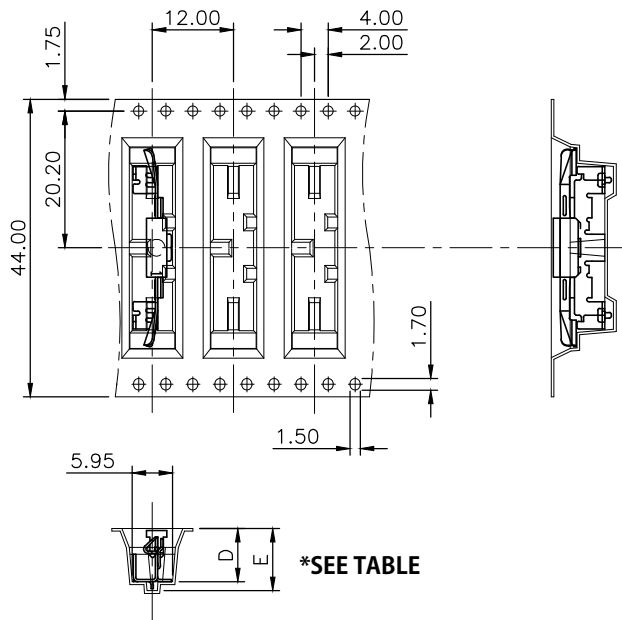
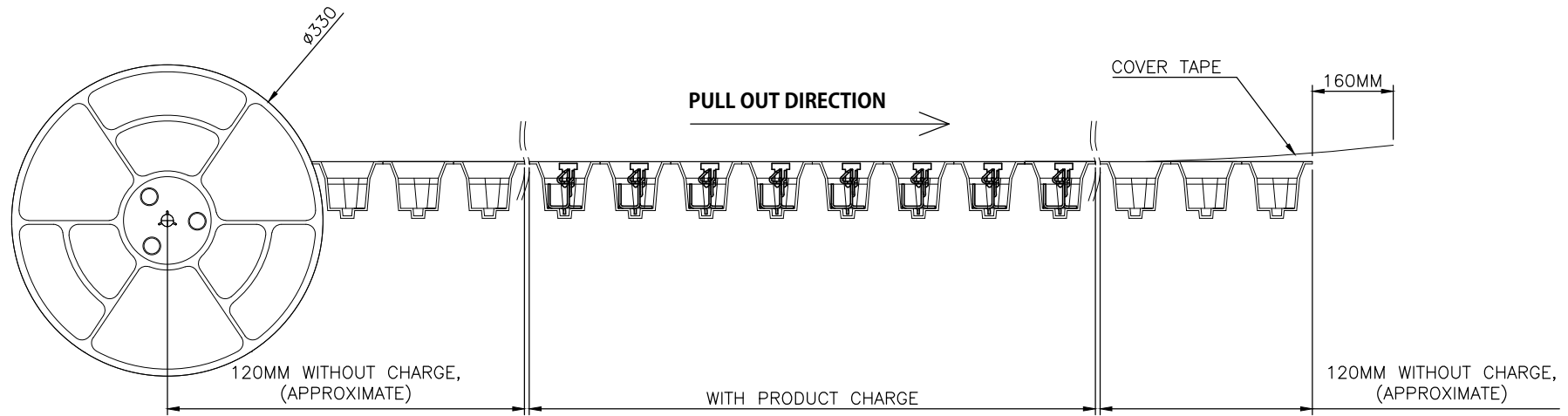
PJECTION

照片框

ORDER INFORMATION

MPCI-LMxxR-052-LF
SERIES | | | LEADFREE
| | | 52WAY
| | | REEL
LATCH | 40:4.0mm HIGH
| 56:5.6mm HIGH
METAL

DESCRIPTION: Mini PCI Express Latch



| PACKING QUANTITY | | | |
|------------------|---------|-----------------|----------------|
| P/N | REEL | CARTON (5 REEL) | PACKING LEIGHT |
| MPCI-LM40R-052 | 700 PCS | 3500 PCS | 8.64 M |
| MPCI-LM56R-052 | 550 PCS | 2750 PCS | 6.84 M |

| DIMENSIONS TABLE | | |
|------------------|------|----------------|
| D | E | P/N |
| 6.30 | 7.60 | MPCI-LM40R-052 |
| 7.90 | 9.20 | MPCI-LM56R-052 |

RoHS Compliant

TOLERANCES ARE

MORETHANALL
 PCB CONNECTORS
 Cable ASSEMBLIES

煜倫股份有限公司

www.morethanall.com

DRAWING BY CY

CHECKED BY GENIUS

UNIT / mm SCALE 1 : 1

DATE

SIZE A4

X. ± 0.30

.X ± 0.50

.XX ± 0.25

.XXX ± 0.12

ANG \pm

PJECTION

照片框

ORDER INFORMATION

MPCI-LMxxR-052-LF
 SERIES | REEL | LEADFREE
 | | 52WAY
 LATCH | 40:4.0mm HIGH
 | | 56:5.6mm HIGH
 METAL

DESCRIPTION: Mini PCI Express Latch