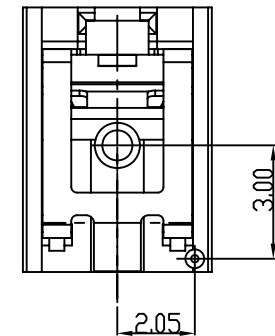
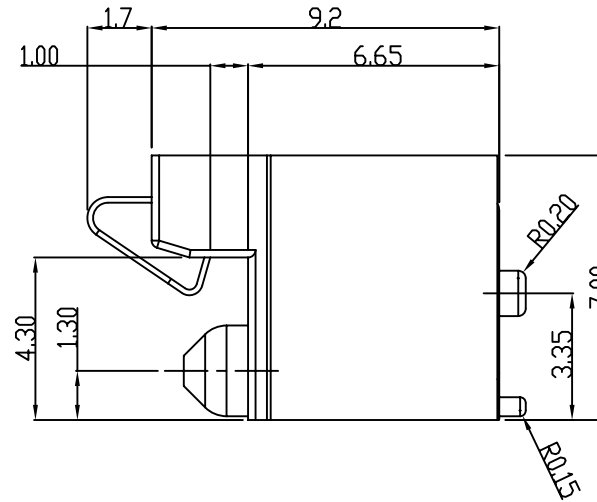
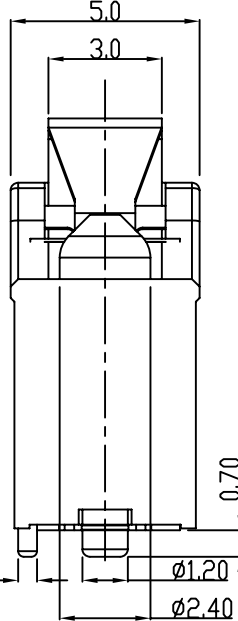
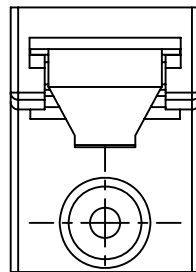
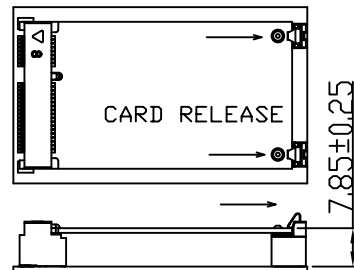
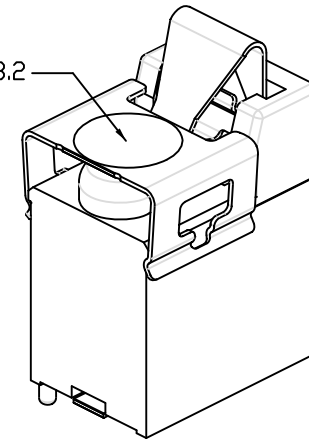


SECTION A-A



PICK & PLACE AREA  $\phi 3.2$



PRODUCT NO.	ITEM	PART NAME	Q'TY	MATERIAL	PLATING
MPCI-LB92R-052	1	BODY	1	LCP	
	2	LATCH	1	PHOSPHOR BRONZE	TIN 100 $\mu$ "
	3	COVER	1	STAINLESS	N/A

RoHS Compliant

TOLERANCES ARE

**MORETHANALL**  
PCB CONNECTORS  
Cable ASSEMBLIES

DRAWING BY CY

CHECKED BY GENIUS

UNIT / mm

SCALE 1:1

DATE

SIZE A4

X, ±  
.X ±  
.XX ±  
.XXX ±  
ANG ±

PJECTION

照片框

ORDER INFORMATION

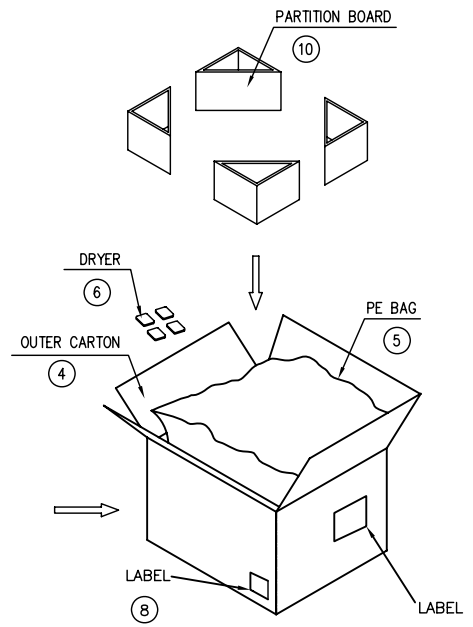
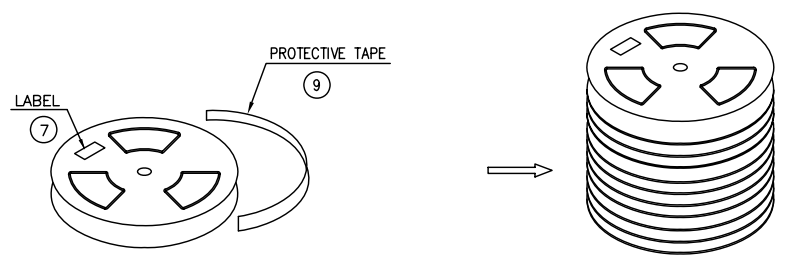
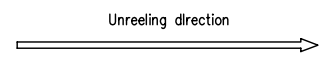
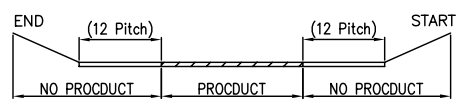
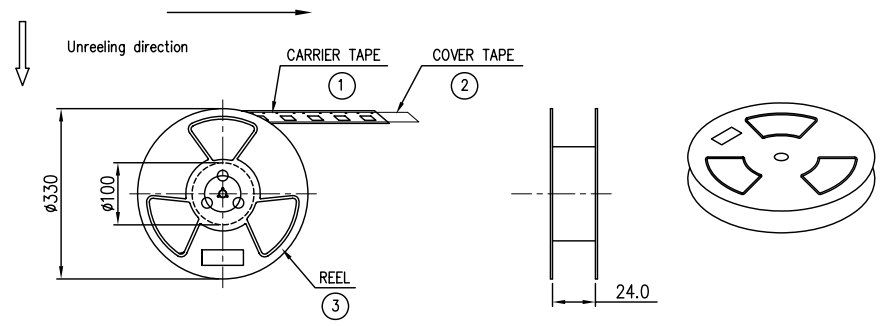
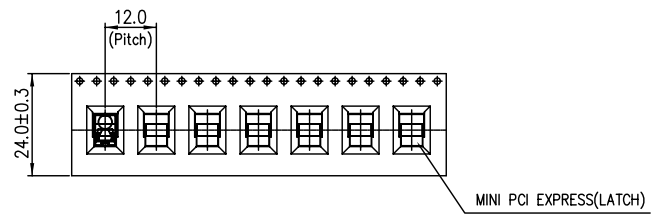
MPCI-LB92R-052-LF

SERIES LEADFREE  
52 WAY  
REEL  
HIGH 9.2mm  
BRACKET  
LATCH

DESCRIPTION: MINI PCI EXPRESS LATCH H=9.2mm

煜倫股份有限公司

www.morethanall.com



NOTES:

1. PACKING STYLE

LATCH-92 (9.2H)  
300 PCS/REEL  
3000 PCS/OUTER CARTON

2. MATERIAL CARRIER TAPE:PS BLACK  
COVER TAPE:PET FILM  
REEL:PLASTIC

3. PEEL STRENGTH OF COVER TAPE:20-80g(PEEL SPEED 300mm/MINUTE).

10	PARTITION BOARD	4	PCS		
9	PROTECTIVE TAPE	3	PCS		
8	LABEL	1	PCS		
7	LABEL	6	PCS		
6	DRYER	4	BAG		
5	PE BAG	1	PCS	L850*W750mm	
4	OUTER CARTON	1	PCS		
3	REEL	10	SET	φ330*100mm,W=44mm	
2	COVER TAPE	SEE NOTES	10	PCS	W=21.5mm
1	CARRIER TAPE			W=24mm,T=0.5mm	
NO	PACKING NAME	PCS/R/R/BOX	UNIT	NOTE	
		PACKING QTY			

RoHS Compliant

TOLERANCES ARE

**MORETHANALL**  
PCB CONNECTORS  
Cable ASSEMBLIES

DRAWING BY CY

X, ±

CHECKED BY GENIUS

.X ±

UNIT / mm

SCALE 1 : 1

.XXX ±

DATE

ANG ±

煜倫股份有限公司

www.morethanall.com

SIZE A4

PJECTION

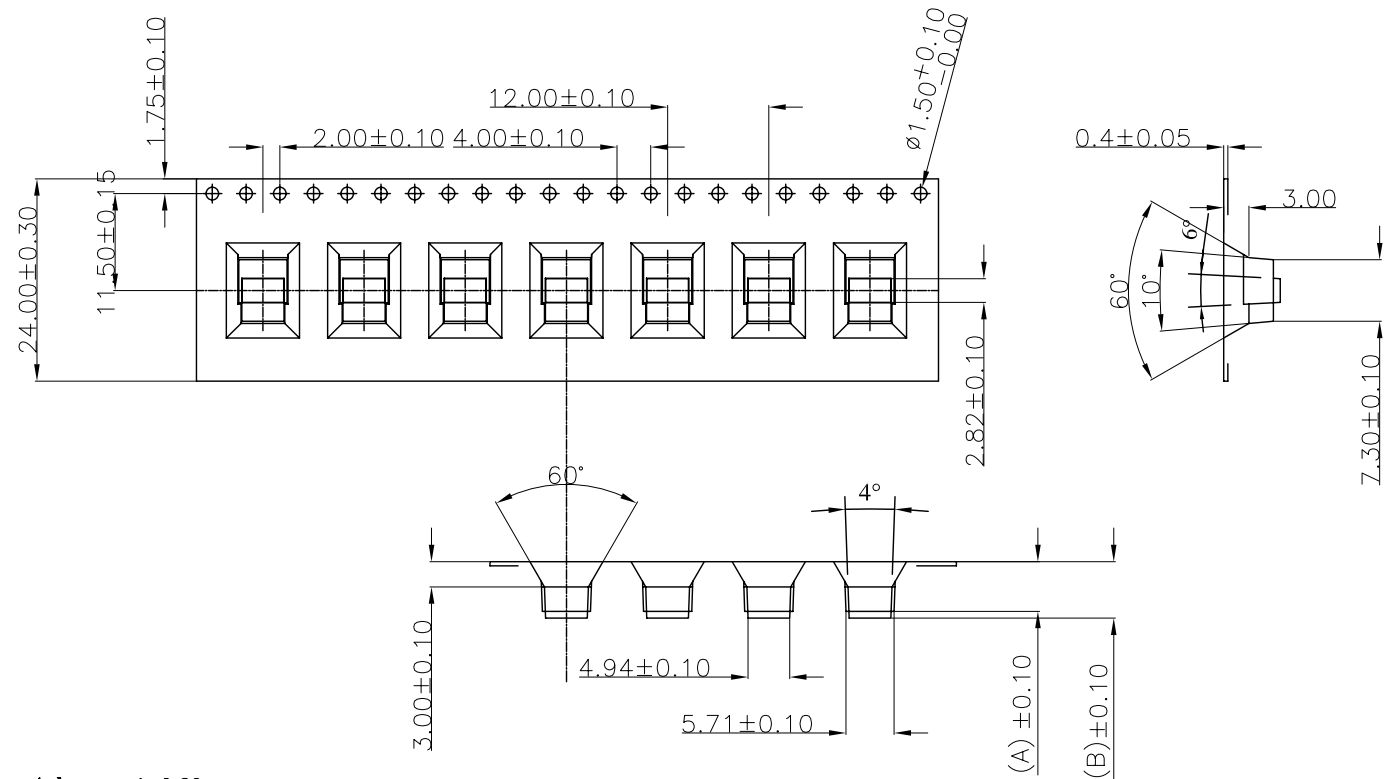
照片框

ORDER INFORMATION

MPCI-LB92R-052-LF

SERIES  
LEADFREE  
52 WAY  
REEL  
HIGH 9.2mm  
BRACKET  
LATCH

DESCRIPTION: MINI PCI EXPRESS LATCH H=9.2mm



**NOTES:**

1. 10 sprocket hole pitch cumulative tolerance  $\pm 0.20$  mm.
2. Carrier camber not to exceed 1mm in 100 mm.
3. All scope meet EIA-481-C requirements.
4. Material: Black Anti-static Polystyrene.
5. Thickness:  $0.40 \pm 0.05$  mm.

DIM.	LATCH-40	LATCH-52	LATCH-56	LATCH-80	LATCH-92
A	5.90	7.10	7.50	9.90	11.10
B	6.70	7.90	8.30	10.70	11.90

**RoHS Compliant**

TOLERANCES ARE

**MORETHANALL**  
PCB CONNECTORS  
Cable ASSEMBLIES

煜倫股份有限公司

www.morethanall.com

DRAWING BY CY

CHECKED BY GENIUS

UNIT / mm

SCALE 1 : 1

DATE

SIZE A4

X,  $\pm$

.X,  $\pm$

.XX,  $\pm$

.XXX,  $\pm$

ANG,  $\pm$

PJECTION

照片框

**ORDER INFORMATION**

MPCI-LB92R-052-LF

SERIES  
LEADFREE  
52 WAY  
REEL  
HIGH 9.2mm  
BRACKET  
LATCH

DESCRIPTION: MINI PCI EXPRESS LATCH H=9.2mm