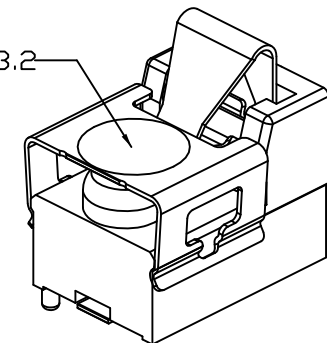


NOTES:
 1. MATERIAL:
 INSULATOR: HIGH TEMPRATURE THERMOPLASTIC, UL94V-0, BLACK
 LATCH: COPPER ALLOY
 COVER: STAINLESS STEEL
 2. PLATING:
 LATCH: Tin PLATED OVER Ni

PICK & PLACE AREA $\phi 3.2$



RoHS Compliant

TOLERANCES ARE

MORETHANALL
 PCB CONNECTORS
 Cable ASSEMBLIES
 煜倫股份有限公司
 www.morethanall.com

DRAWING BY CY		X. ± 0.50 .X ± 0.30 .XX ± 0.20
CHECKED BY GENIUS		
UNIT / mm	SCALE 1 : 1	.XXX ±
DATE		ANG ±
SIZE A4	PPOJECTION	



ORDER INFORMATION

MPCI-LB56-052-LF
 SERIES | | | LEADFREE
 | | | 52 WAY
 | | | HIGH 5.6mm
 BRACKET
 LATCH

DESCRIPTION: mini PCI EXPRESS CONNECTOR LATCH, H=5.6mm