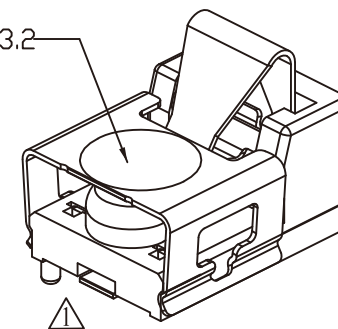


PICK & PLACE AREA ø3.2



RoHS Compliant

TOLERANCES ARE

MORETHANALL
PCB CONNECTORS
Cable ASSEMBLIES

DRAWING BY CY

CHECKED BY GENIUS

UNIT / mm

SCALE 1:1

DATE

SIZE A4

X, ±
.X ± 0.25
.XX ± 0.20
.XXX ±
ANG ±

P PROJECTION

照片框

ORDER INFORMATION

MPCI-LB40-052-LF

SERIES
LEADFREE
52 WAY
HIGH 4.0mm
BRACKET
LATCH

DESCRIPTION: MINI PCI EXPRESS CONNECTOR H=4.0mm

煜倫股份有限公司

www.morethanall.com