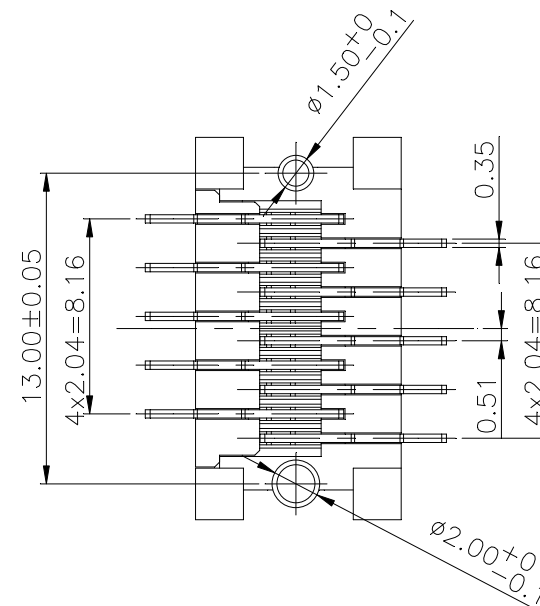
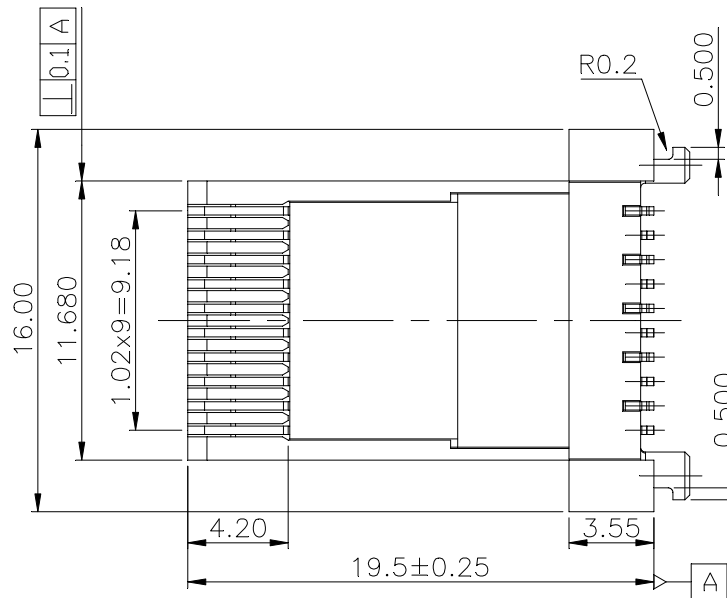
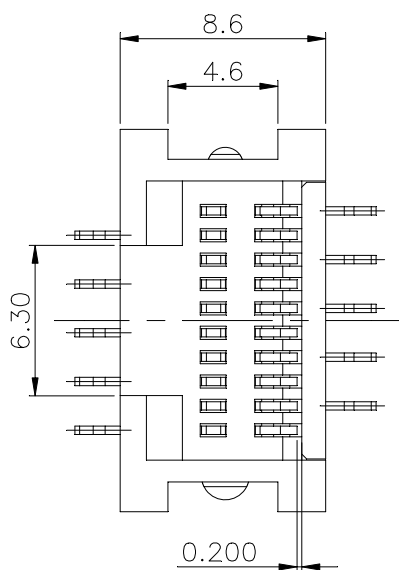
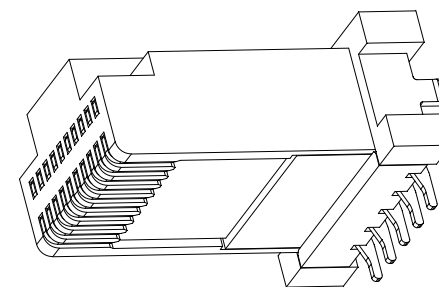
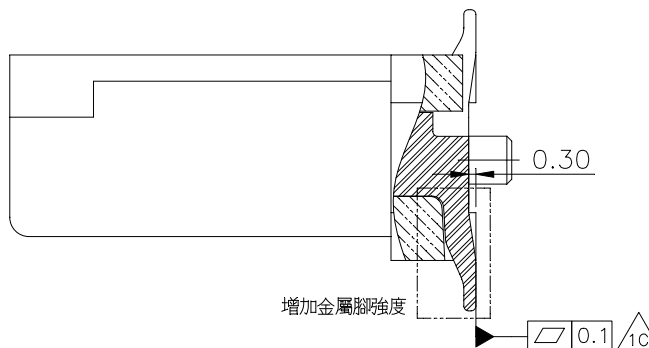


Environmental:

- 1.Storage Temp: -20°C to +85°C.
- 2.Operating Temp: 0°C to +70°C.
- 3.Humidity Range 85%RH Max.



MATERIALS:

PLASTIC HOUSING: HIGH TEMP. THERMOPLASTIC
FLAMMABILITY RATING UL 94V-0.

COLOR: BLACK

CONTACTS: PHOSPHOR BRONZE

PLATING: GOLD(0.8um) PLATING OVER NICKEL IN CONTACT.

TIN(3~6um)DULL PLATING OVER NICKEL(2~4um)

IN SOLDER AREA(LEAD FREE).

RoHS Compliant

TOLERANCES ARE



煜倫股份有限公司

www.morethanall.com

DRAWING BY CY

CHECKED BY GENIUS

UNIT / mm

SCALE 1 : 1

DATE

SIZE A4

X. ± 0.50

.X ± 0.38

.XX ± 0.25

.XXX ± 0.10

ANG ± 3°

PJECTION

照片框

ORDER INFORMATION

MP-VP-1010-LF
SERIES | POST | LEADFREE
10P10C
180°SMT

DESCRIPTION: 10P10C SMT PULG