

1 2 3 4 5 6 7 8 9 0

J

I

H

G

F

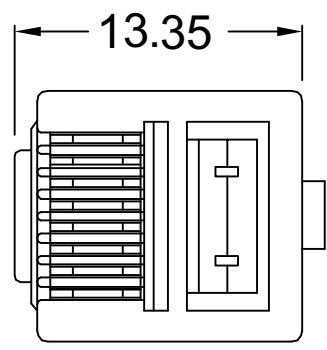
E

D

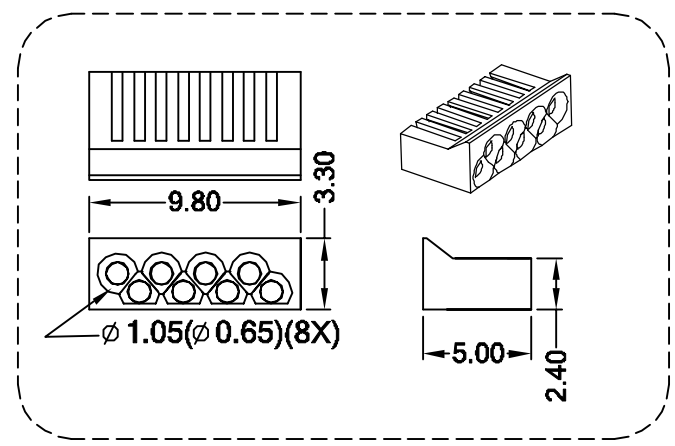
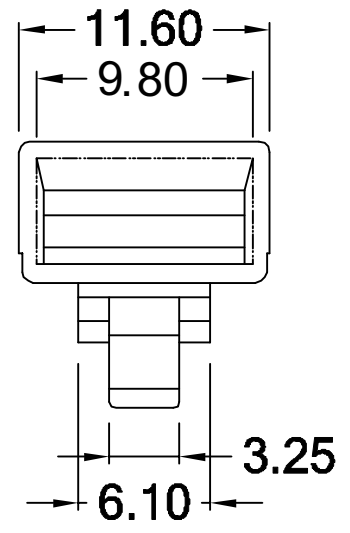
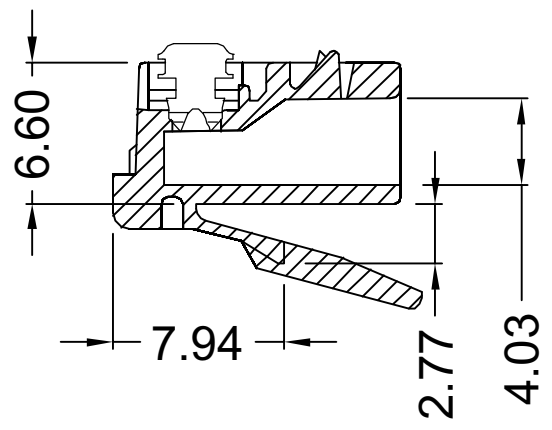
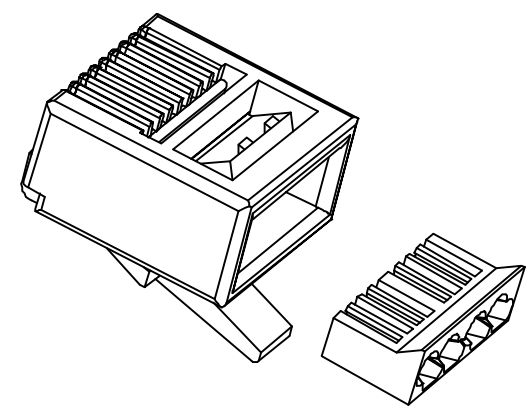
C

B

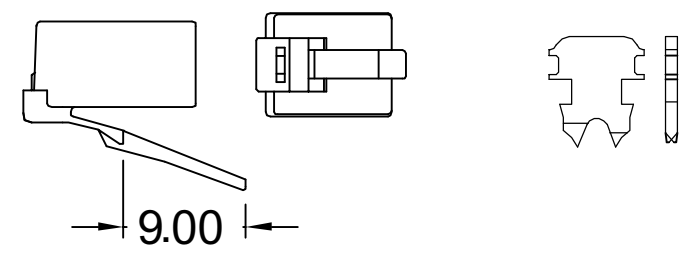
A



MP-RS6-0808-LF  
LEADFREE  
RoHS Compliant



**MATERIAL & FINISH**  
Housing: PC. UL94V-2, clean  
Contact : copper alloy plated with gold



PART NO. MP-RS6-0808

DWG NO. MP-RS6-0808

CHECKED BY CY

TOLERANCES ARE

DESCRIP TION:

FILE NO.

DRAWING BY

.X ± 0.2  
.XX ± 0.1  
.XXX ±  
AWG

AREA	REVISIONS	HK	DATE
------	-----------	----	------

煜倫股份有限公司

UNIT / mm

SCALE 1:1

PROJECTION