

材質及商標 Material & Brand (Logo) :

- 商標 Brand (LOGO) : (COB 空白 No Brand 客戶指定商標 Others _____)
- 塑膠材質 Housing Material (Polycarbonate(PC) UL 94V-0 UL 94V-2)
- 金片型式 Contact Type (二叉型金片 2 prongs for STRANDED wire 三叉金片 3 prongs for SOLID wire)
- 鍍金厚度 Gold Plating: (F μl Flash) 3 μl ≥ 0.0762 μm) 6 μl ≥ 0.1524 μm) 15 μl (≥ 0.381 μm) 30 μl (≥ 0.762 μm) 50 μl ≥ 1.27 μm)
- 金片材質 Contact Material (青銅 Bronze 磷青銅 Phosphor Bronze)
- 銅殼材質 Shield Material: Brass with nickel plating

Remark:

- 適用 23 或 24 AWG 線材。 Available for 23 or 24 AWG wire.

3 PRONGS FOR SOLID WIRE(S)
單芯線用三叉型金片

RoHS Compliant

TOLERANCES ARE

MORETHANALL
PCB CONNECTORS
Cable ASSEMBLIES

DRAWING BY CY

X. ±

CHECKED BY GENIUS

.X ±

UNIT / mm SCALE 1 : 1

.XX ±

DATE

.XXX ±

ANG ±

SIZE A4

PPOJECTION

照片框

ORDER INFORMATION

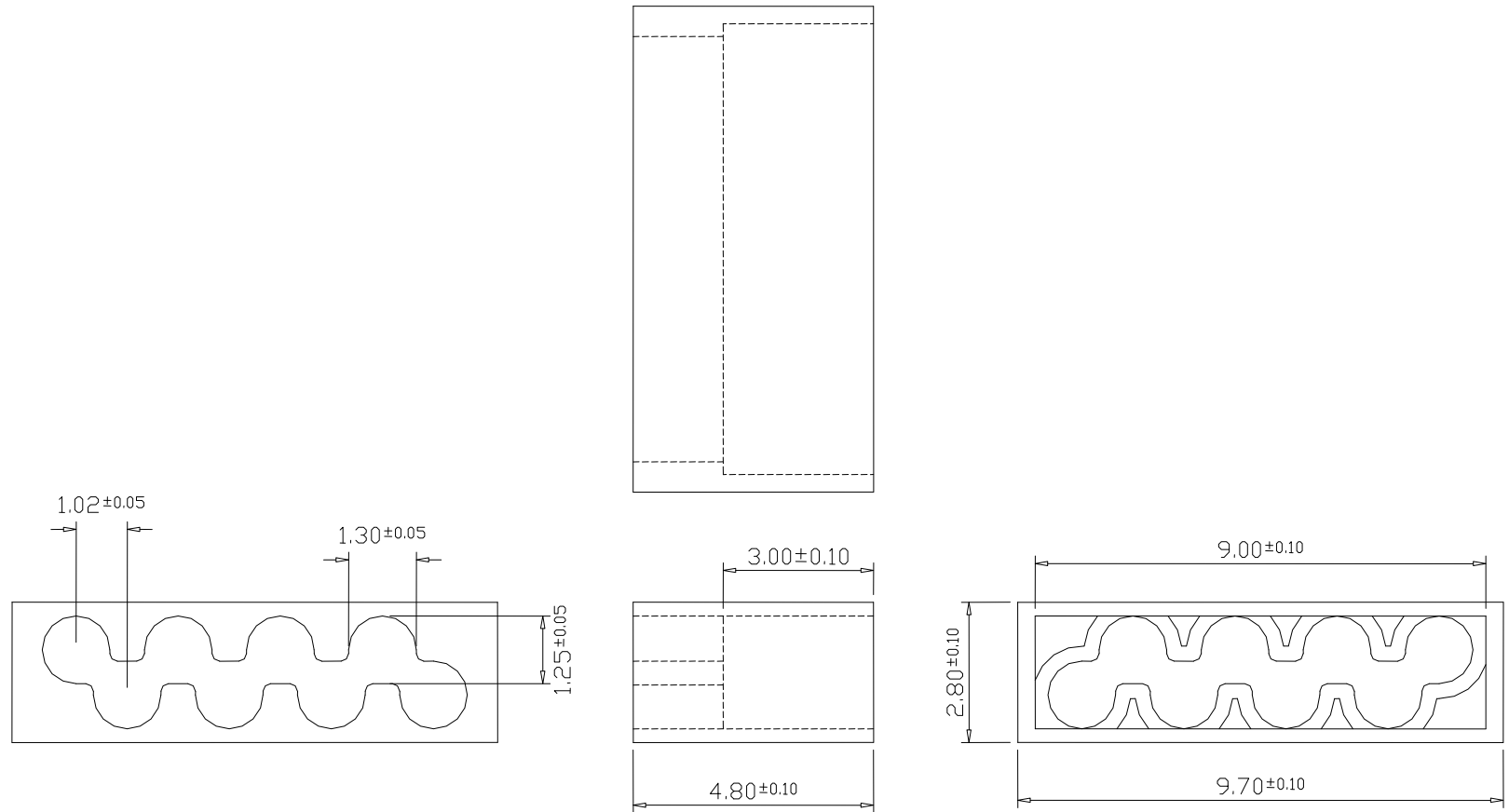
MP-RMS63S50-0808-LF

SERIES
ROUND OUTLET
Cat.6
3 PRONGS
SEMI GOLD 50u"
8P8C
LEADFREE
METAL SR

煜倫股份有限公司

www.morethanall.com

DESCRIPTION:



材質 Material:

1. 塑膠材質 Material: (ABS PA-758R HB)

RoHS Compliant

TOLERANCES ARE

MORETHANALL
PCB CONNECTORS
Cable ASSEMBLIES

DRAWING BY CY

X. ±

CHECKED BY GENIUS

.X ±

UNIT / mm

SCALE 1 : 1

.XX ±

DATE

.XXX ±

ANG ±

煜倫股份有限公司

www.morethanall.com

SIZE A4

P PROJECTION

照片框

ORDER INFORMATION

MP-RMS63S50-0808-LF

SERIES
ROUND OUTLET
Cat.6
3 PRONGS
SEMI GOLD 50u"
8P8C
LEADFREE
METAL SR

DESCRIPTION: