

3 PRONGS OR SOLID WIRE  
單芯線用三叉型金片

RoHS Compliant

TOLERANCES ARE

**MORETHANALL**  
PCB CONNECTORS  
Cable ASSEMBLIES

DRAWING BY CY

X.±

CHECKED BY GENIUS

.X±

UNIT / mm

SCALE 1:1

.XX±

DATE

.XXX±

ANG±

SIZE A4

PROJECTION

照片框

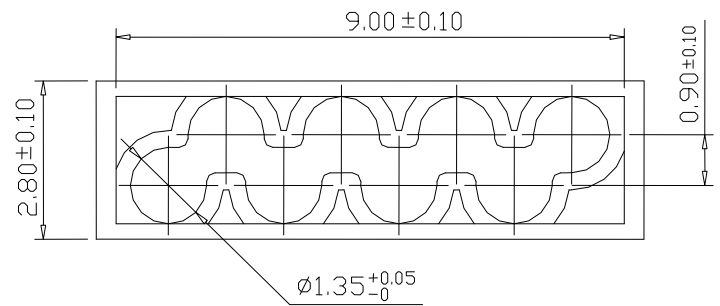
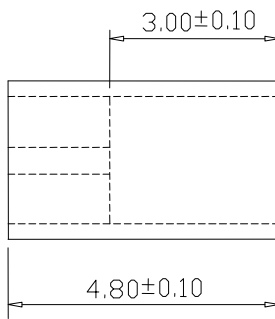
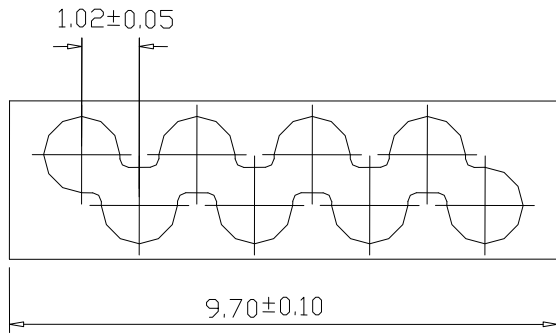
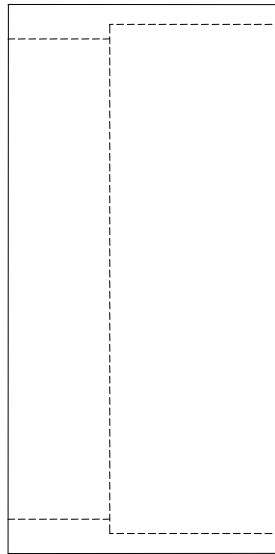
ORDER INFORMATION

MP-RMS63-0808-LF  
SERIES | LEADFREE  
8P8C  
3 PRONGS  
Cat.6  
METAL SR  
ROUND OUTLET

煜倫股份有限公司

www.morethanall.com

DESCRIPTION:



RoHS Compliant

TOLERANCES ARE

**MORETHANALL**  
PCB CONNECTORS  
Cable ASSEMBLIES

DRAWING BY CY

X.±

CHECKED BY GENIUS

.X±

UNIT / mm

SCALE 1:1

.XX±

DATE

.XXX±

ANG ±

SIZE A4

P PROJECTION

照片框

ORDER INFORMATION

MP-RMS63-0808-LF  
SERIES | LEADFREE  
8P8C  
3 PRONGS  
Cat.6  
METAL SR  
ROUND OUTLET

煜倫股份有限公司

www.morethanall.com

DESCRIPTION: