

2 PRONGS FOR STRANDED WIRE  
多芯線用二叉型金片

材質及商標 Material & Brand (Logo) :

- 商標 Brand (LOGO) : (  COB  空白 No Brand  客戶指定商標 Others \_\_\_\_\_ )
- 塑膠材質 Housing Material ( Polycarbonate(PC)  UL 94V-0  UL 94V-2 )
- 金片型式 Contact Type (  二叉型金片 2 prongs for STRANDED wire  三叉金片 3 prongs for SOLID wire )
- 鍍金厚度 Gold Plating: (  F μl Flash)  3 μl ≥ 0.0762 μm)  6 μl ≥ 0.1524 μm)  15 μl (≥ 0.381 μm)  30 μl (≥ 0.762 μm)  50 μl ≥ 1.27 μm )
- 金片材質 Contact Material (  青銅 Bronze  磷青銅 Phosphor Bronze )
- 銅殼材質 Shield Material: Brass with nickel plating

Remark:

- 適用 23 或 24 AWG 線材。 Available for 23 or 24 AWG wire.

RoHS Compliant

TOLERANCES ARE

**MORETHANALL**  
PCB CONNECTORS  
Cable ASSEMBLIES

DRAWING BY CY

CHECKED BY GENIUS

UNIT / mm SCALE 1 : 1

DATE

SIZE A4

X, ±  
.X ±  
.XX ±  
.XXX ±  
ANG ±

PPOJECTION

照片框

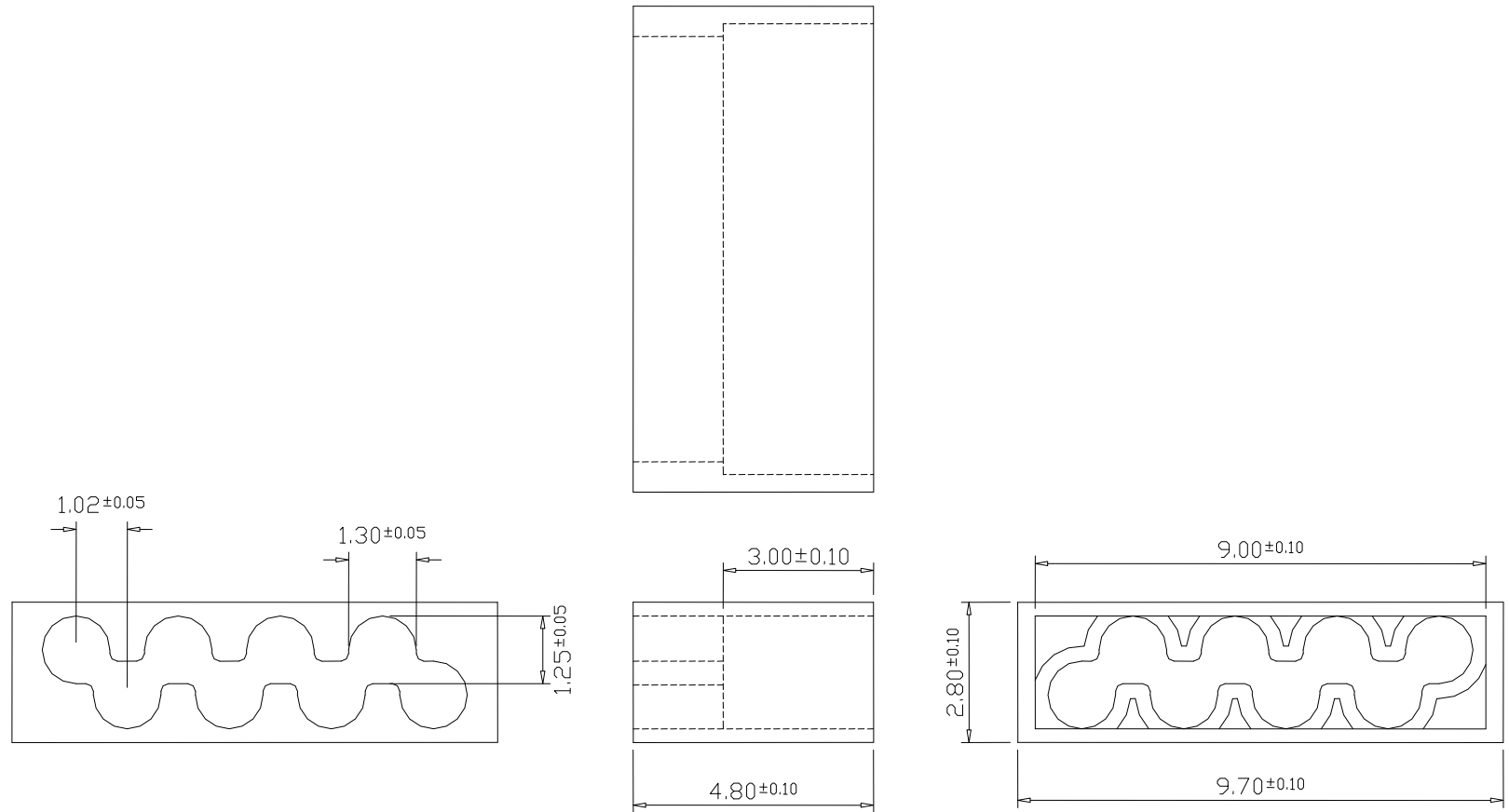
ORDER INFORMATION

MP-RMS62S50-0808-LF  
SERIES | LEADFREE  
8P8C  
SEMI GOLD 50u"  
2 PRONGS  
Cat.6  
METAL SR  
ROUND OUTLET

DESCRIPTION:

煜倫股份有限公司

www.morethanall.com



材質 Material:

1. 塑膠材質 Material: ( ABS PA-758R HB )

RoHS Compliant

TOLERANCES ARE

**MORETHANALL**  
PCB CONNECTORS  
Cable ASSEMBLIES

DRAWING BY CY

X. ±

CHECKED BY GENIUS

.X ±

UNIT / mm

SCALE 1 : 1

.XX ±

DATE

.XXX ±

ANG ±

煜倫股份有限公司

www.morethanall.com

SIZE A4

PPOJECTION

照片框

ORDER INFORMATION

MP-RMS62S50-0808-LF

SERIES  
ROUND OUTLET  
Cat.6  
2 PRONGS  
SEMI GOLD 50u"  
8P8C  
LEADFREE  
METAL SR

DESCRIPTION: