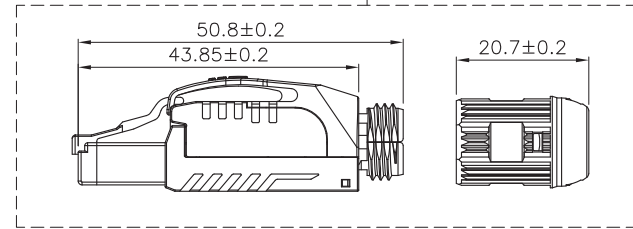
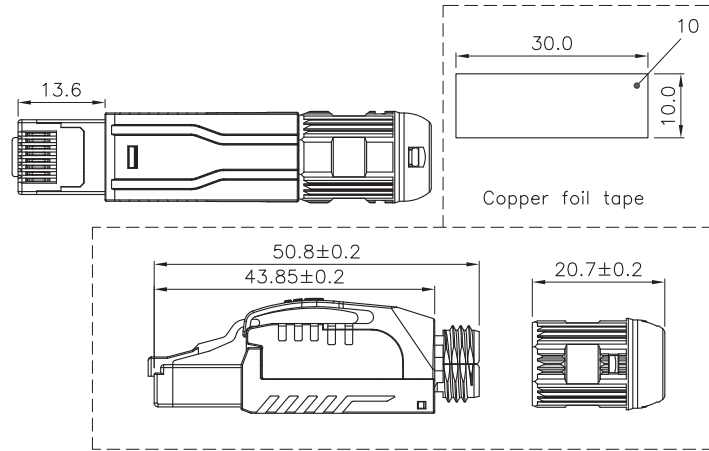
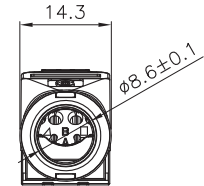
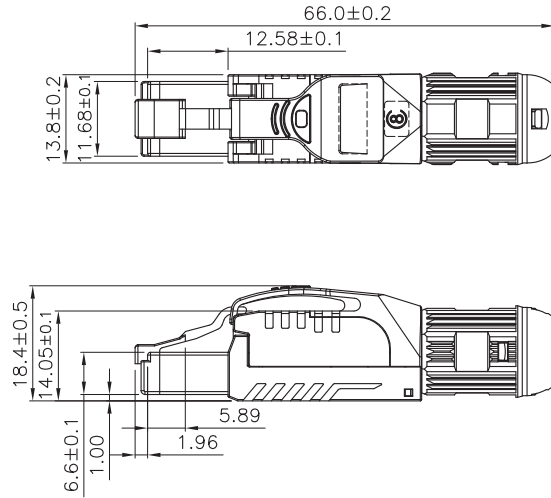
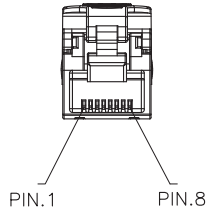


SCALE 1/1



Specification :

Material :

1. Extractor : PC, UL 94V-2, options color.
2. Housing : Zinc die-casting with nickel plated.
3. RJ45 plug :
  - 3-1. Housing : PC, UL 94V-2, black color.
  - 3-2. Contact material : Phosphor bronze with 100 micro-inch nickel plated.
  - 3-3. Contact finish : Min. 50 micro-inch gold plated on surface contact area.
4. Cover : Zinc die-casting with nickel plated.
5. Wire management bar : PC, UL 94-V2, white color.
6. IDC :
  - 6-1. Housing : PC, UL 94-V2, white color.
  - 6-2. Terminal : Titanium copper with tin plated.
7. Grounding contact : Zinc die-casting with nickel plated.
8. Boot :
  - 8-1. Housing : Zinc die-casting with nickel plated.
  - 8-2. SR : PC, UL 94V-2, transparent color.
  - 8-3. CAP : PC, UL 94V-2, blue(RAL5005) color.
9. PCB, UL 94-V0.
10. Copper foil tape.
11. Dust cap : PE, black color.

Performance :

- a. T568A & T568B wiring.
- b. Insertion force : 30N max. (IEC 60603-7-5).
- c. Retention strength : 7.7 kg between jack and plug.
- d. Operating temperature : -10°C to 60°C. (ISO/IEC TR 11801-9901, ANSI/TIA 568-C.2-1).
- e. Life(mating cycles) :
  - e-1. 750 cycles min. (ISO/IEC 11801, IEC 60603-7-5).
  - e-2. IDC : Suitable for 23-26AWG stranded and solid wire, min. 20 installation cycles.
- f. Suitable for cable jacket OD : 7.0-8.5mm.

**RoHS Compliant**

TOLERANCES ARE

**MORETHANALL**  
PCB CONNECTORS  
Cable ASSEMBLIES

DRAWING BY CY

CHECKED BY GENIUS

UNIT / mm SCALE 1 : 1

DATE

SIZE A4

X, ±  
.X ± 0.10  
.XX ± 0.05  
.XXX ± 0.005  
ANG ±

P PROJECTION

照片框

**ORDER INFORMATION**

MP-RF8TL66-0808-LF  
SERIES | | | | | | | | | | LEADFREE  
ROUND OUTLET | | | | | | | | | | 8P8C  
| | | | | | | | | | LONG 66.0mm  
| | | | | | | | | | TOOLLESS  
| | | | | | | | | | CAT 8  
| | | | | | | | | | FULL METAL

DESCRIPTION: CAT.8 full shielded field termination plug

煜倫股份有限公司

www.morethanall.com