

“ ” : 2 PRONGS FOR STRANDED WIRE  
多芯線用二叉型金片

材質

1. 塑膠材質 Housing Material : ( Polycarbonate(PC)  UL 94V-0  UL 94V-2 )
2. 金片型式 Contact Type : (  二叉型金片 2 prongs for STRANDED wire  三叉金片 3 prongs for SOLID wire )
3. 鍍金厚度 Gold Plating : (  Fμ”(Flash)  3μ”(≥0.0762μm)  6μ”(≥0.1524μm)  15μ”(≥0.381μm)  30μ”(≥0.762μm)  50μ”(≥1.27μm) )
4. 金片材質 Contact Material : (  青銅 Bronze  磷青銅 Phosphor Bronze )
5. 銅殼材質 Shield Material : 黃銅合金鍍鎳 Brass with nickel plating
6. 附件選項 Option : (  分線架 Sled  T套 Liner )

Remark:

1. 適用24或 26 AWG 線材。 Available for 24 or 26 AWG wire.

RoHS Compliant

TOLERANCES ARE

**MORETHANALL**  
PCB CONNECTORS  
Cable ASSEMBLIES

DRAWING BY CY

X. ±

CHECKED BY GENIUS

.X ±

UNIT / mm

SCALE 1 : 1

.XXX ±

DATE

ANG ±

煜倫股份有限公司

www.morethanall.com

SIZE A4

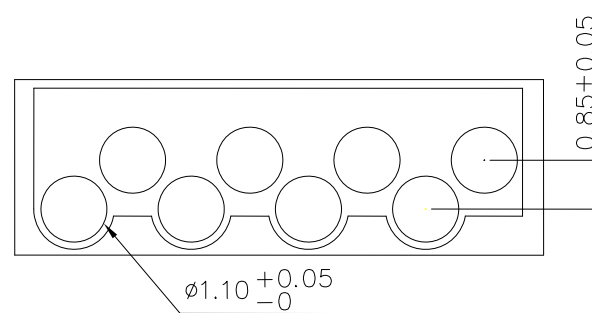
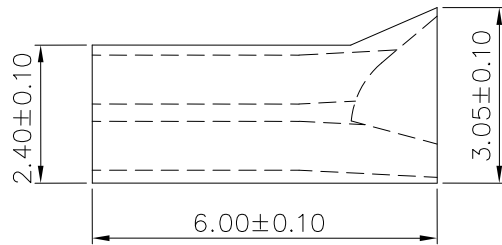
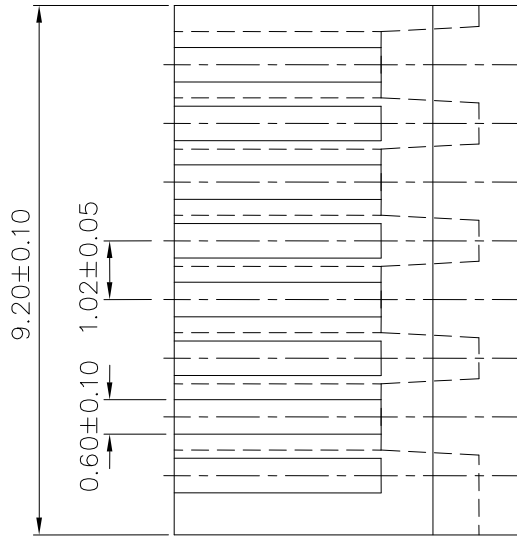
PPOJECTION

照片框

ORDER INFORMATION

MP-RF6S50-0808-LF  
SERIES | LEADFREE  
8P8C  
SEMI GOLD 50u"  
CAT 6  
FULL METAL  
ROUND OUTLET

DESCRIPTION:



UNIT: m/m

材質 Material :

1. 塑膠材質 Material : ( Polycarbonate(PC) UL 94V-0 UL 94V-2 )

RoHS Compliant

TOLERANCES ARE

**MORETHANALL**  
PCB CONNECTORS  
Cable ASSEMBLIES

DRAWING BY CY

CHECKED BY GENIUS

UNIT / mm

SCALE 1 : 1

DATE

SIZE A4

X.±  
.X±  
.XX±  
.XXX±  
ANG±

PJECTION

照片框

ORDER INFORMATION

MP-RF6S50-0808-LF  
SERIES | | | LEADFREE  
8P8C  
SEMI GOLD 50u"  
CAT 6  
FULL METAL  
ROUND OUTLET

煜倫股份有限公司

www.morethanall.com

DESCRIPTION: