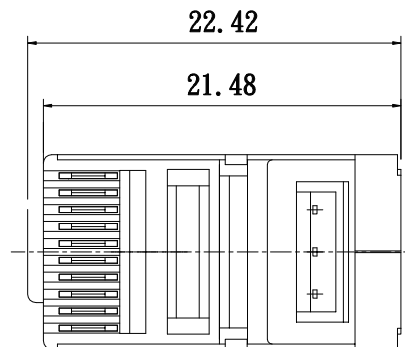
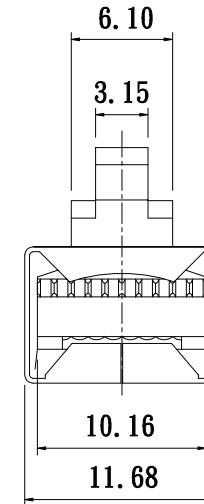
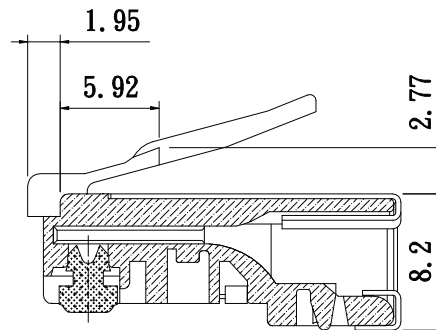
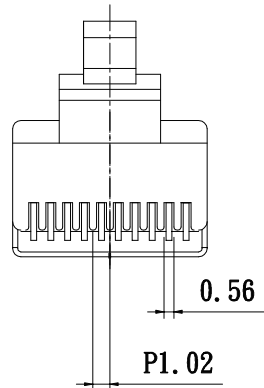
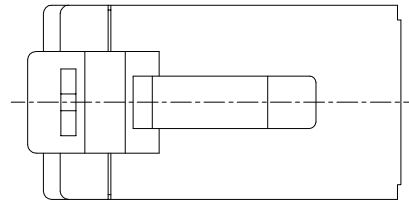


SPECIFICATION

MECHANICAL:

1. Housing Material: Polycarbonate, UL 94V-2.
No Poison
2. Material Contact: Phosphor Bronze.
3. Housing Color: Transparence.
4. Operation Temperature: -40 °c to 80 °c.
5. Cable to Tensile Strength: 7.7Kgs



RoHS Compliant

TOLERANCES ARE

MORETHANALL
PCB CONNECTORS
Cable ASSEMBLIES

DRAWING BY CY

CHECKED BY GENIUS

UNIT / mm SCALE 1 : 1

DATE

SIZE A4

X. ±
.X ±
.XX ±
.XXX ±
ANG ±

P PROJECTION

照片框

ORDER INFORMATION

MP-RF-1010-LF
SERIES | LEADFREE
10P10C
FULL METAL
ROUND OUTLET

煜倫股份有限公司

www.morethanall.com

DESCRIPTION: