

3 PRONGS FOR SOLID WIRE  
單芯線用三叉型金片

RoHS Compliant

TOLERANCES ARE

**MORETHANALL**  
PCB CONNECTORS  
Cable ASSEMBLIES

DRAWING BY CY

X. ±

CHECKED BY GENIUS

.X ±

UNIT / mm

SCALE 1 : 1

.XX ±

DATE

.XXX ±

ANG ±

SIZE A4

PPOJECTION

照片框

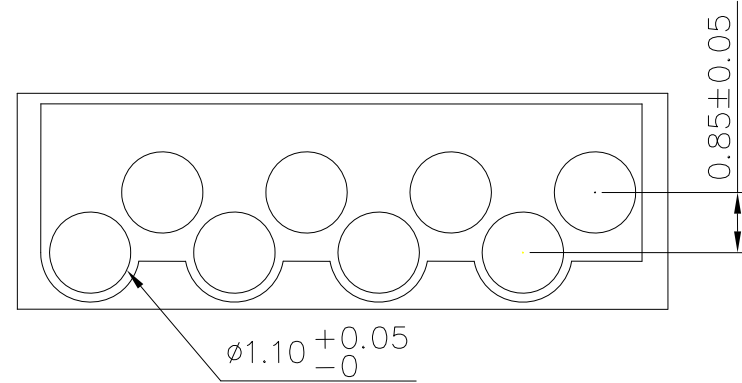
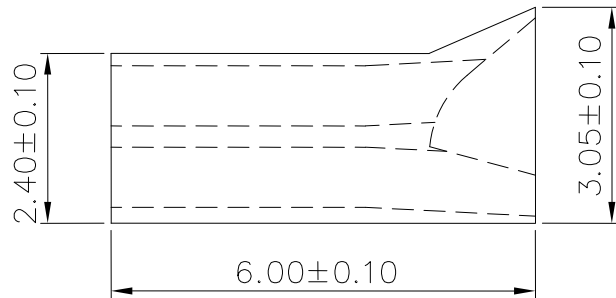
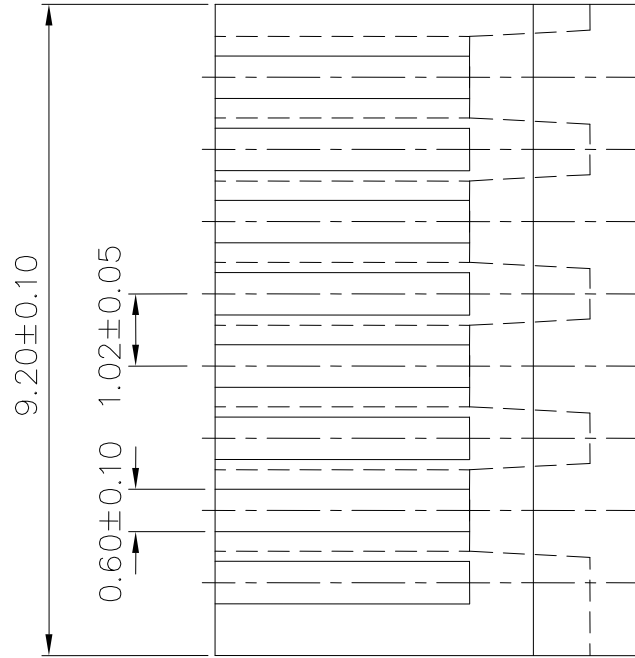
ORDER INFORMATION

MP-R63-0808-LF  
SERIES | 8P8C | LEADFREE  
| 3 PRONGS |  
| CAT 6 |  
| ROUND OUTLET |

煜倫股份有限公司

www.morethanall.com

DESCRIPTION:



**RoHS Compliant**

TOLERANCES ARE

**MORETHANALL**  
PCB CONNECTORS  
Cable ASSEMBLIES

DRAWING BY CY

X.±

CHECKED BY GENIUS

.X±

UNIT / mm

SCALE 1:1

.XX±

DATE

.XXX±

ANG±

照片框

**ORDER INFORMATION**

MP-R63-0808-LF  
SERIES | 3 PRONGS | 8P8C | LEADFREE  
CAT 6  
ROUND OUTLET

煜倫股份有限公司

www.morethanall.com

SIZE A4

PJECTION

DESCRIPTION: