

RoHS Compliant

TOLERANCES ARE

MORETHANALL
PCB CONNECTORS
Cable ASSEMBLIES

DRAWING BY CY

X. ±

CHECKED BY GENIUS

.X ±

UNIT / mm

SCALE 1 : 1

.XX ±

DATE

.XXX ±

ANG ±

煜倫股份有限公司

www.morethanall.com

SIZE A4

PJECTION

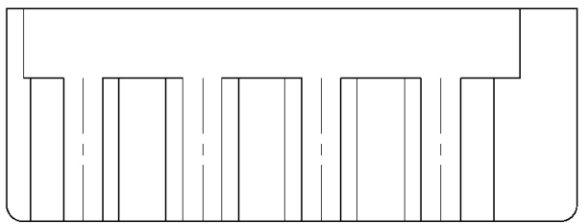
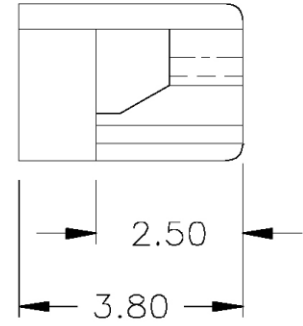
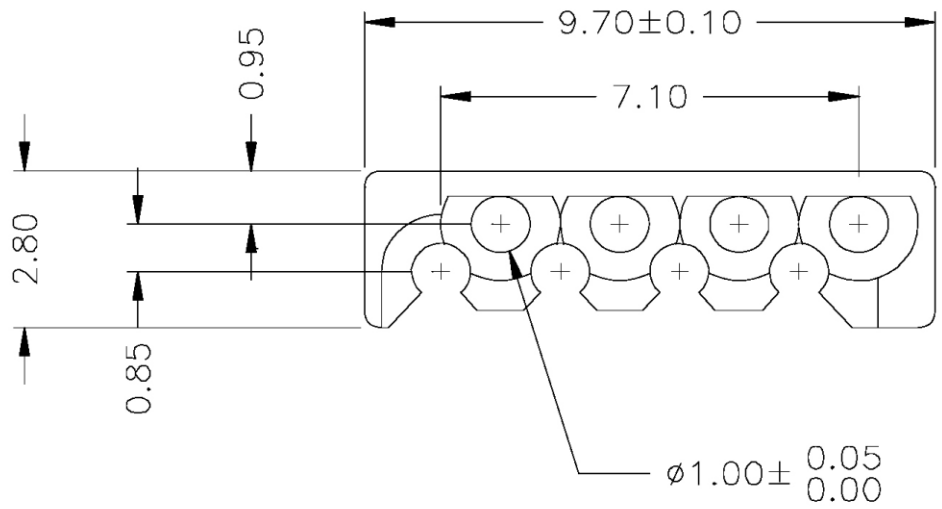
照片框

ORDER INFORMATION

MP-R5SMxxyy-0808-LF

SERIES	LEADFREE
ROUND OUTLET	8P8C
SHORT	RD: RED/BOOT
SHORT	BK: BLACK/BOOT
METAL	GE: GREY/BOOT
56: 5.6mm/OUTLET	BL: BLUE/BOOT
62: 6.2mm/OUTLET	GR: GREEN/BOOT

DESCRIPTION:



RoHS Compliant

TOLERANCES ARE

MORETHANALL
PCB CONNECTORS
Cable ASSEMBLIES

DRAWING BY CY

CHECKED BY GENIUS

UNIT / mm

SCALE 1 : 1

DATE

SIZE A4

X, ±

.X ±

.XX ±

.XXX ±

ANG ±

照片框

ORDER INFORMATION

MP-R5SMxxyy-0808-LF

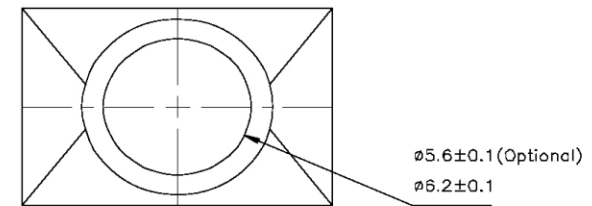
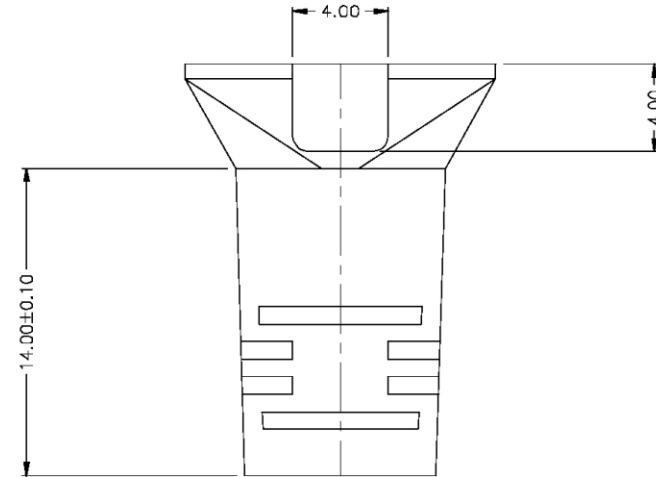
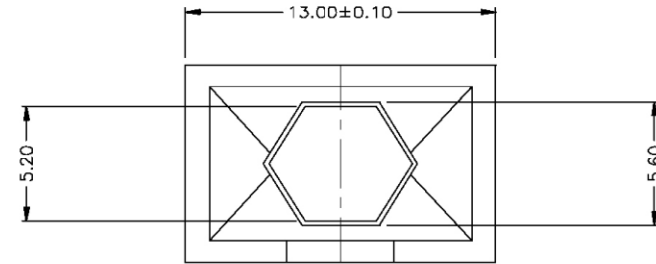
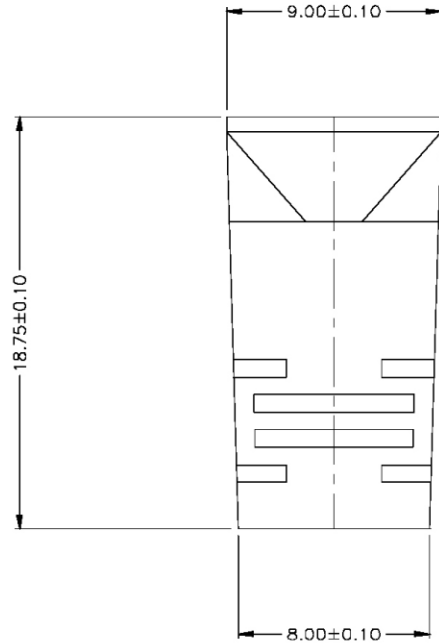
SERIES	RD	BK	GE	BL	GR	LEADFREE
ROUND OUTLET	8P8C					
SHORT						
METAL						
56:5.6mm/OUTLET						
62:6.2mm/OUTLET						

煜倫股份有限公司

www.morethanall.com

P PROJECTION

DESCRIPTION:



RoHS Compliant

TOLERANCES ARE

MORETHANALL
PCB CONNECTORS
Cable ASSEMBLIES

DRAWING BY CY

X. ±

CHECKED BY GENIUS

.X ±

UNIT / mm

SCALE 1 : 1

.XX ±

DATE

.XXX ±

ANG ±

煜倫股份有限公司

www.morethanall.com

SIZE A4

P PROJECTION

照片框

ORDER INFORMATION

MP-R5SMxxyy-0808-LF

SERIES	LEADFREE
ROUND OUTLET	8P8C
SHORT	RD: RED/BOOT
SHORT	BK: BLACK/BOOT
METAL	GE: GREY/BOOT
56: 5.6mm/OUTLET	BL: BLUE/BOOT
62: 6.2mm/OUTLET	GR: GREEN/BOOT

DESCRIPTION: