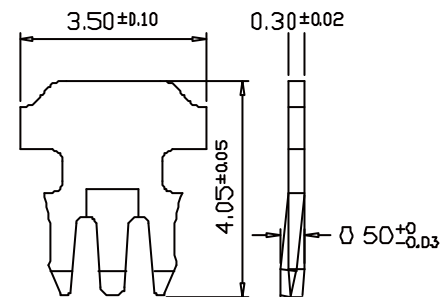
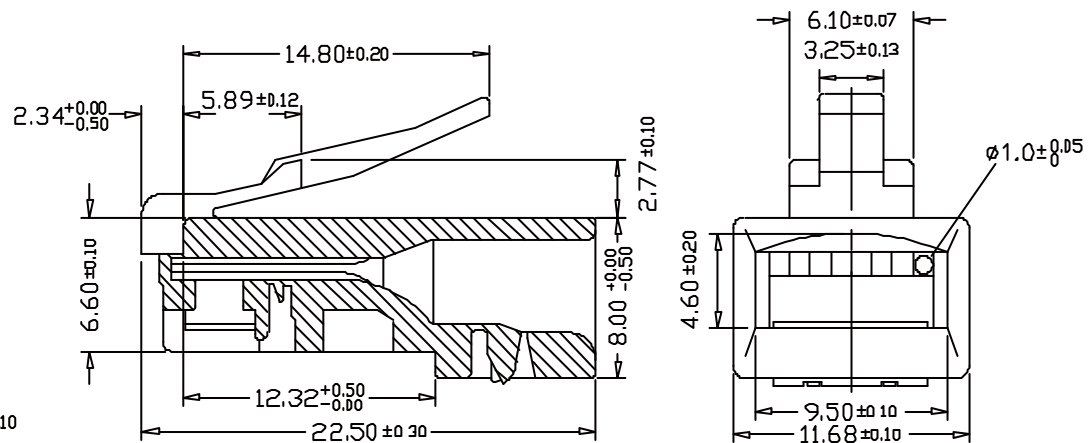
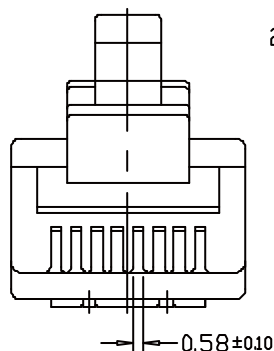


MP 8P8C



3 PRONGS FOR SOLID WIRE(S)
單芯線用三叉型金片

RoHS Compliant

TOLERANCES ARE

MORETHANALL
PCB CONNECTORS
Cable ASSEMBLIES

煜倫股份有限公司

www.morethanall.com

DRAWING BY CY

CHECKED BY GENIUS

UNIT / mm

SCALE 1:1

DATE

SIZE A4

X, ±

.X ±

.XX ±

.XXX ±

ANG ±

PPOJECTION

照片框

ORDER INFORMATION

MP-R3S30-0808-LF
SERIES | 8P8C | LEADFREE
SEMI GOLD 30u"
3 PRONGS
ROUND OUTLET

DESCRIPTION: