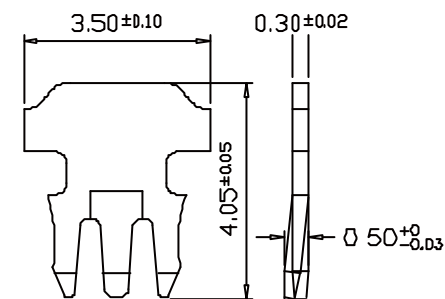
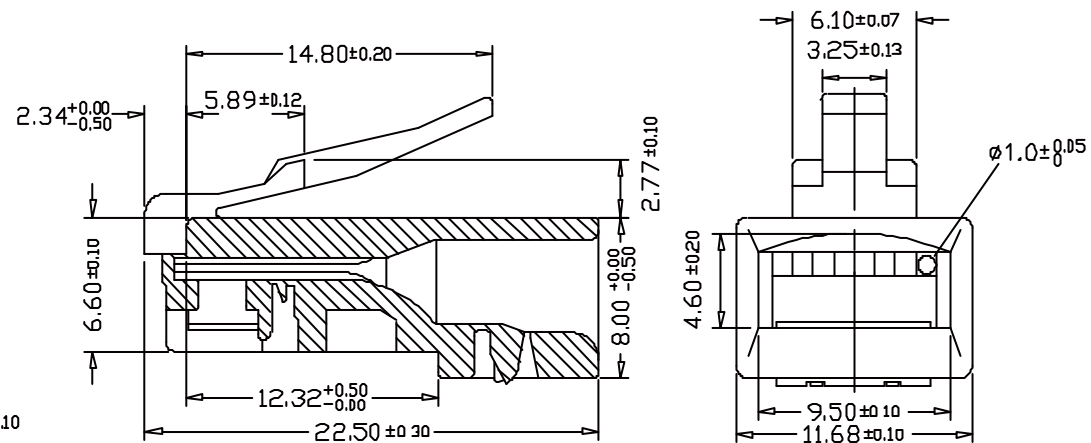
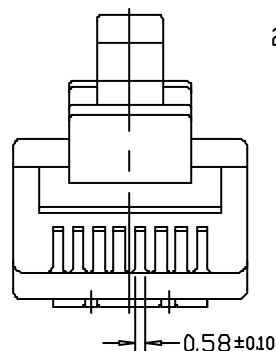


MP8P8C



3 PRONGS FOR SOLID WIRE(S)
單芯線用三叉型金片

RoHS Compliant

TOLERANCES ARE

MORETHANALL
PCB CONNECTORS
Cable ASSEMBLIES

煜倫股份有限公司

www.morethanall.com

DRAWING BY CY

CHECKED BY GENIUS

UNIT / mm SCALE 1 : 1

DATE

SIZE A4

X, ±
.X ±
.XX ±
.XXX ±
ANG ±

PPOJECTION

照片框

ORDER INFORMATION

MP-R3-0808-LF
SERIES | LEADFREE
8P8C
3 PRONGS
ROUND OUTLET

DESCRIPTION: